

PLEASE CHECK WWW.MOLEX.COM FOR LATEST PART INFORMATION

Part Number: [63888-2000](#)
Status: **Active**
Description: Mini-Mac™ Applicator, Use with Large Wire Insulation Diameter

Documents:

[RoHS Certificate of Compliance \(PDF\)](#)

General

Product Family	Application Tooling
Series	T9999
Comments	See Tooling Specification (PDF) Above
Function	Crimp
Geographic Area	Global
Level of Automation	Automatic, Semi-Automatic
More Detailed Tech Information	applicationtooling@molex.com
Product Name	Mini-Mac™
Survey	www.molex.com//review/apptool_survey.html
Tool Type	Applicator
UPC	800756656069

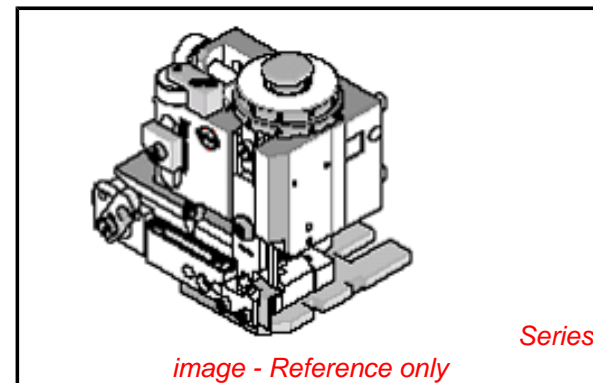
Physical

Net Weight 4826.214/g

Material Info

Reference - Drawing Numbers

Application Tooling Documents [ATS-638882000](#), [TM-638800000](#), [TM-638800000SP](#)



EU RoHS

ELV and RoHS Compliant

REACH SVHC

Not Reviewed

Low-Halogen Status

Not Reviewed

China RoHS



Need more information on product environmental compliance?

Email productcompliance@molex.com
 For a multiple part number RoHS Certificate of Compliance, [click here](#)

Please visit the [Contact Us](#) section for any non-product compliance questions.

Search Parts in this Series

[T9999Series](#)

Use With

Molex TM-3000™, [63801-7200](#), [63801-7300](#), Molex TM-2000™, [63800-8300](#), [63800-8400](#), most Industry Standard Presses or Wire Process Machines

Application Tooling | [FAQ](#)

Description	Product #
KK® Crimp Terminal, 22-30 AWG, Hot Tin (Sn) Dip, Nickel (Ni) Under Plating	0008500113
KK® Crimp Terminal, 6459, 22-30 AWG, Reel, Phosphor Bronze Tin (Sn)	0008520101
KK® Crimp Terminal, 22-30 AWG, Selective Gold (Au), Nickel (Ni) Under Plating	0008550101

KK® Crimp Terminal,0008560109
22-30 AWG, Gold
(Au), Nickel (Ni)
Under Plating
KK® Crimp Terminal 0008650813
6459, 22-30 AWG,
Reel, Phosphor
Bronze Gold (Au)
KK® Crimp Terminal 0008650815
6459, 22-30 AWG,
Reel, Phosphor
Bronze Selective
Gold (Au)
KK® Cat Ear Crimp 0008700048
Terminal 5159,
22-28 AWG, Reel,
Phosphor Bronze,
Tin (Sn) Plating
KK® Cat Ear Crimp 0008700064
Terminal 5159, 22-28
AWG, Reel, Brass,
Tin (Sn) over Copper
Plating
KK® Cat Ear Crimp 0008650804
Terminal 41572,
Reel Tin (Sn)

This document was generated on 04/25/2013

PLEASE CHECK WWW.MOLEX.COM FOR LATEST PART INFORMATION