

PLEASE CHECK WWW.MOLEX.COM FOR LATEST PART INFORMATION

Part Number: [63888-1100](#)
Status: **Active**
Description: Mini-Mac™ Applicator

Documents:

[RoHS Certificate of Compliance \(PDF\)](#)

General

Product Family	Application Tooling
Series	T9999
Comments	See Tooling Specification (PDF) Above
Function	Crimp
Geographic Area	Global
Level of Automation	Automatic, Semi-Automatic
More Detailed Tech Information	applicationtooling@molex.com
Product Name	Mini-Mac™
Survey	www.molex.com//review/apptool_survey.html
Tool Type	Applicator
UPC	800756682211

Physical

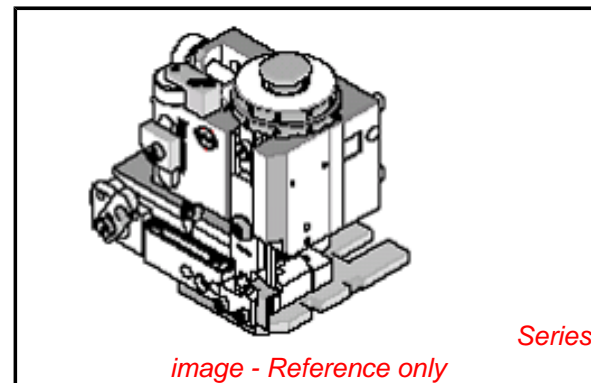
Net Weight 4799.112/g

Material Info

Reference - Drawing Numbers

Application Tooling Documents

ATS-638881100, TM-638800000, TM-638800000SP, TM-640160065, TM-640160065CN, TM-640160065DE, TM-640160065FR, TM-640160065IT, TM-640160065JP, TM-640160065KR, TM-640160065MY, TM-640160065PL, TM-640160065RU, TM-640160065SK, TM-640160065SP, TM-640160065TH, TM-640160065TW, TM-640160065VN



EU RoHS

ELV and RoHS Compliant

REACH SVHC

Not Reviewed

Low-Halogen Status

Not Reviewed

China RoHS



Need more information on product environmental compliance?

Email productcompliance@molex.com
 For a multiple part number RoHS Certificate of Compliance, [click here](#)

Please visit the [Contact Us](#) section for any non-product compliance questions.

Search Parts in this Series

[T9999Series](#)

Use With

Molex TM-3000™, 63801-7200, 63801-7300, Molex TM-2000™, 63800-8300, 63800-8400, most Industry Standard Presses or Wire Process Machines

Application Tooling | FAQ

Description	Product #
KK® Crimp Terminal 8818, 18-22 AWG, Reel, Brass Tin (Sn)	0008500008
KK® Crimp Terminal 8818, 18-22 AWG, Reel, Phosphor Bronze Selective Gold (Au)	0008580135
KK® Crimp Terminal 8818, 18-22 AWG, Reel, Phosphor Bronze Selective Gold (Au)	0008650128

This document was generated on 04/25/2013

PLEASE CHECK WWW.MOLEX.COM FOR LATEST PART INFORMATION