

PLEASE CHECK WWW.MOLEX.COM FOR LATEST PART INFORMATION

Part Number: [63885-8800](#)
Status: **Active**
Description: Mini-Mac Air Feed Mylar Tape Conductor Only Applicator

Documents:
[RoHS Certificate of Compliance \(PDF\)](#)

General

| | |
|--------------------------------|--|
| Product Family | Application Tooling |
| Series | T9999 |
| Comments | See Tooling Specification (PDF) Above |
| Function | Crimp |
| Geographic Area | Global |
| Level of Automation | Semi-Automatic |
| More Detailed Tech Information | applicationtooling@molex.com |
| Product Name | Mini-Mac™ |
| Survey | www.molex.com//review/apptool_survey.html |
| Tool Type | Applicator |
| UPC | 884982756946 |

Material Info

Reference - Drawing Numbers

| | |
|-------------------------------|---------------|
| Application Tooling Documents | ATS-638858800 |
|-------------------------------|---------------|

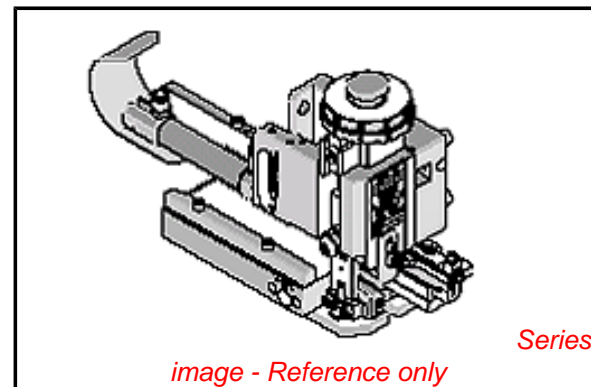


image - Reference only

| | |
|---------------------------|-------------------|
| EU RoHS | China RoHS |
| Compliance Status | |
| Not Reviewed | |
| REACH SVHC | |
| Not Reviewed | |
| Low-Halogen Status | |
| Not Reviewed | |

Need more information on product environmental compliance?

Email productcompliance@molex.com
 For a multiple part number RoHS Certificate of Compliance, [click here](#)

Please visit the [Contact Us](#) section for any non-product compliance questions.

Search Parts in this Series

[T9999Series](#)

Use With

[19016](#) , [19020](#) , [19037](#) Krimptite Quick Disconnects, Snap Plugs, Receptacles, and Spade Tongue Terminals

| | |
|----------------------------|------------------|
| Application Tooling | FAQ |
| Description | Product # |

| | |
|--|------------|
| Quixon Quick Disconnect, Krimptite™ Style, Female, Uninsulated, 18-20 AWG, Mylar Tape | 0192730009 |
| Krimptite™ Quick Disconnect, Female, for 18-22 (0.80-0.35mm ²) Wire, Mylar Tape, Tab 4.75 x 0.81mm | 0190160007 |
| Krimptite™ Quick Disconnect, Female, for 18-22 | 0190160008 |

(0.80-0.35mm²) Wire,
Mylar Tape, Tab 4.75
x 0.51mm
Krimptite™ Quick 0190160002
Disconnect,
Female, for 18-22
(0.80-0.35mm²) Wire,
Mylar Tape, Tab 2.79
x 0.51mm
Krimptite™ Quick 0190160004
Disconnect,
Female, for 18-22
(0.80-0.35mm²) Wire,
Mylar Tape, Tab 2.79
x 0.81mm
Krimptite™ Quick 0190160010
Disconnect,
Female, for 18-22
(0.80-0.35mm²) Wire,
Mylar Tape, Tab 6.35
x 0.81mm

This document was generated on 05/22/2013

PLEASE CHECK WWW.MOLEX.COM FOR LATEST PART INFORMATION