

**PLEASE CHECK WWW.MOLEX.COM FOR LATEST PART INFORMATION**

**Part Number:** [63885-4200](#)  
**Status:** **Active**  
**Description:** Mini-Mac™ Applicator

**Documents:**  
[RoHS Certificate of Compliance \(PDF\)](#)

**General**

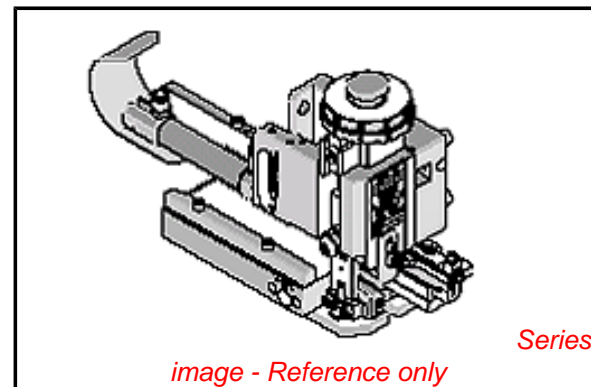
Product Family	Application Tooling
Series	<a href="#">T1101</a>
Function	Crimp
Geographic Area	Global
Level of Automation	Automatic, Semi-Automatic
More Detailed Tech Information	<a href="mailto:applicationtooling@molex.com">applicationtooling@molex.com</a>
Product Name	Mini-Mac™
Survey	<a href="http://www.molex.com//review/apptool_survey.html">www.molex.com//review/apptool_survey.html</a>
Tool Type	Applicator
UPC	822348758838

**Material Info**

**Reference - Drawing Numbers**

Application Tooling Documents

ATS-638854200, TM-638800000, TM-638800000SP, TM-640160065, TM-640160065CN, TM-640160065DE, TM-640160065FR, TM-640160065IT, TM-640160065JP, TM-640160065KR, TM-640160065MY, TM-640160065PL, TM-640160065RU, TM-640160065SK, TM-640160065SP, TM-640160065TH, TM-640160065TW, TM-640160065VN



*image - Reference only*

<b>EU RoHS</b>	<b>China RoHS</b>
----------------	-------------------

**Compliance Status**

**Not Reviewed**

**REACH SVHC**

**Not Reviewed**

**Low-Halogen Status**

**Not Reviewed**

**Need more information on product environmental compliance?**

Email [productcompliance@molex.com](mailto:productcompliance@molex.com)  
 For a multiple part number RoHS Certificate of Compliance, [click here](#)

Please visit the [Contact Us](#) section for any non-product compliance questions.

**Search Parts in this Series**

[T1101Series](#)

**Use With**

Molex TM-2000™, [63800-8300](#) , most Industry Standard Presses, or Wire Process Machines

<b>Application Tooling</b>	<b>FAQ</b>
<b>Description</b>	<b>Product #</b>

Quixon Quick Disconnect, InsulKrimp™ Style, Female, Partially Insulated Blue, 14-16 AWG, Mylar Tap	0192740006
Quixon Quick Disconnect, InsulKrimp™ Style, Female, Fully Insulated Blue, 14-16 AWG, Mylar Tap	0192760006
InsulKrimp™ Quick Disconnect, Female, for 14-16	0190030049

(2.00-1.30mm <sup>2</sup> ), Mylar Tape, Tab 6.35 x 0.81mm InsulKrimp™	0190030052
Quick Disconnect, Female, for 14-16 (2.00-1.30mm <sup>2</sup> ), Mylar Tape, Tab 4.75 x 0.51mm InsulKrimp™	0190030055
Quick Disconnect, Female, for 14-16 (2.00-1.30mm <sup>2</sup> ), Mylar Tape, Tab 4.75 x 0.51mm InsulKrimp™	0190030058
Quick Disconnect, Female, for 14-16 (2.00-1.30mm <sup>2</sup> ), Mylar Tape, Tab 4.75 x 0.81mm InsulKrimp™	0190030061
Quick Disconnect, Female, for 14-16 (2.00-1.30mm <sup>2</sup> ), Mylar Tape, Tab 4.75 x 0.81mm InsulKrimp™	0190030077
Quick Disconnect, Female, for 14-16 (2.00-1.30mm <sup>2</sup> ), Mylar Tape, Tab 5.21 x 0.51mm InsulKrimp™	0190030078
Quick Disconnect, Female, for 14-16 (2.00-1.30mm <sup>2</sup> ), Mylar Tape, Tab 5.21 x 0.81mm InsulKrimp™ Quick	0190030133
Disconnect, Female, Mylar Tape, Tab 4.75 x 0.51mm InsulKrimp™ Quick	0190030136
Disconnect, Female, Mylar Tape, Tab 4.75 x 0.81mm InsulKrimp™	0190030042
Quick Disconnect, Female, for 14-16 (2.00-1.30mm <sup>2</sup> ), Mylar Tape, Tab 6.35 x 0.81mm InsulKrimp™	0190170041
Quick Disconnect, Female, for 14-16 (2.00-1.30mm <sup>2</sup> ) Wire, Mylar Tape, Tab 6.35 x 0.81mm	

This document was generated on 03/08/2013

**PLEASE CHECK [WWW.MOLEX.COM](http://WWW.MOLEX.COM) FOR LATEST PART INFORMATION**