

PLEASE CHECK WWW.MOLEX.COM FOR LATEST PART INFORMATION

Part Number: [63885-3900](#)
Status: **Active**
Description: Mini-Mac™ Applicator, Air Feed Mylar Tape

Documents:
[RoHS Certificate of Compliance \(PDF\)](#)

General

Product Family	Application Tooling
Series	T1101
Comments	See Tooling Specification (PDF) Above
Function	Crimp
Geographic Area	Global
Level of Automation	Automatic, Semi-Automatic
More Detailed Tech Information	applicationtooling@molex.com
Product Name	Mini-Mac™
Survey	www.molex.com//review/apptool_survey.html
Tool Type	Applicator
UPC	800756786766

Material Info

Reference - Drawing Numbers

Application Tooling Documents	ATS-638853900, TM-638800000, TM-638800000SP, TM-640160065, TM-640160065CN, TM-640160065DE, TM-640160065FR, TM-640160065IT, TM-640160065JP, TM-640160065KR, TM-640160065MY, TM-640160065PL, TM-640160065RU, TM-640160065SK, TM-640160065SP, TM-640160065TH, TM-640160065TW, TM-640160065VN
-------------------------------	---

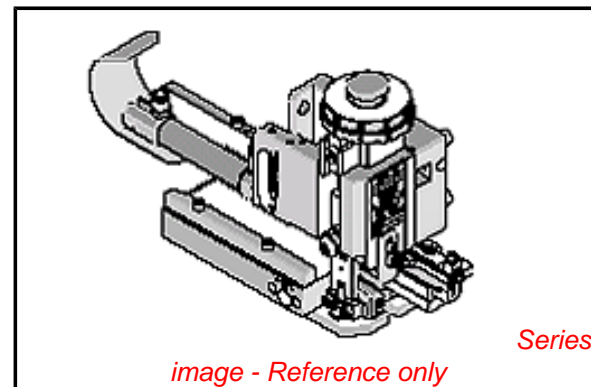


image - Reference only

Series

EU RoHS	China RoHS
Compliance Status	
Not Reviewed	
REACH SVHC	
Not Reviewed	
Low-Halogen Status	
Not Reviewed	

Need more information on product environmental compliance?

Email productcompliance@molex.com
 For a multiple part number RoHS Certificate of Compliance, [click here](#)

Please visit the [Contact Us](#) section for any non-product compliance questions.

Search Parts in this Series
[T1101Series](#)

Use With
 Molex TM-3000™, [63801-7200](#) , [63801-7300](#). Molex TM-2000™, [63800-8300](#) , [63800-8400](#) , most Industry Standard Presses or Wire Process Machines

Application Tooling Description	FAQ Product #
Krimptite™ Wire Pin Terminal for 16-14 AWG Wire, Mylar Tape Carrier	0192110006
Krimptite™ Ring Tongue Terminal for 14-16 AWG Wire	0190690104
VersaKrimp™ Temp Term Ring Tongue Terminal for 14 to 16 AWG Wire, Stud Size 10 (M5), Mylar Tape Carrier	0192030064

Krimptite™ Temp- Term Ring Tongue Terminal for 14 to 16 AWG Wire, Stud Size 8 (M4), Mylar Tape Carrier	0192030084
Krimptite™ Temp- Term Ring Tongue Terminal for 14 to 16 AWG Wire, Stud Size 10 (M5), Mylar Tape Carrier	0192030086
Krimptite™ Ring Tongue Terminal for 14-16 AWG Wire	0190690117
Krimptite™ Ring Tongue Terminal for 14-16 AWG Wire	0190690100
Krimptite™ Ring Tongue Terminal for 14-16 AWG Wire	0190690102
Krimptite™ Ring Tongue Terminal for 14-16 AWG Wire	0190690106
Krimptite™ Ring Tongue Terminal for 14-16 AWG Wire	0190690108
Krimptite™ Ring Tongue Terminal for 14-16 AWG Wire	0190690110
Krimptite™ Ring Tongue Terminal for 14-16 AWG Wire	0190690113
Krimptite™ Ring Tongue Terminal for 14-16 AWG Wire	0190690115
Krimptite™ Ring Tongue Terminal for 14-16 AWG Wire	0190690122
Krimptite™ Ring Tongue Terminal for 14-16 AWG Wire	0190690124
Krimptite™ Flanged Spade Tongue Terminal for 14-16 AWG Wire, Stud Size 6 (M3.5), Mylar Tape Carrier	0191180055
Krimptite™ Flanged Spade Tongue Terminal for 14-16 AWG Wire, Stud Size 10 (M5), Mylar Tape Carrier	0191180059
Krimptite™ Flanged Spade Tongue Terminal for 14-16 AWG Wire, Stud Size 8 (M4), Mylar Tape Carrier	0191180057