

**PLEASE CHECK WWW.MOLEX.COM FOR LATEST PART INFORMATION**

**Part Number:** [63885-3000](#)  
**Status:** **Active**  
**Description:** Mini-Mac™ Applicator

**Documents:**  
[RoHS Certificate of Compliance \(PDF\)](#)

**General**

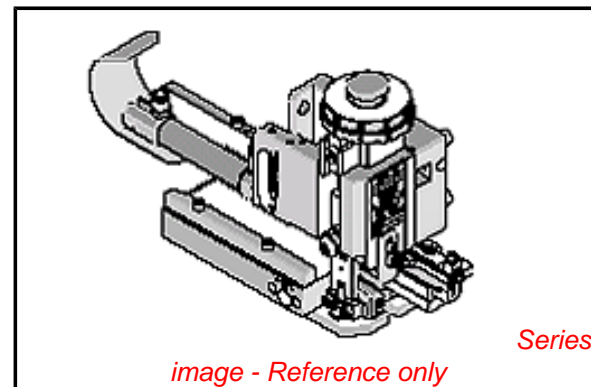
|                                |  |
|--------------------------------|--|
| Product Family                 | Application Tooling  |
| Series                         | <a href="#">T1101</a>  |
| Function                       | Crimp  |
| Geographic Area                | Global   |
| Level of Automation            | Automatic, Semi-Automatic  |
| More Detailed Tech Information | <a href="mailto:applicationtooling@molex.com">applicationtooling@molex.com</a>                           |
| Product Name                   | Mini-Mac™  |
| Survey                         | <a href="http://www.molex.com//review/apptool_survey.html">www.molex.com//review/apptool_survey.html</a> |
| Tool Type                      | Applicator   |
| UPC                            | 822350612654   |

**Material Info**

**Reference - Drawing Numbers**

Application Tooling Documents

638853000, TM-638800000, TM-638800000SP, TM-640160065, TM-640160065CN, TM-640160065DE, TM-640160065FR, TM-640160065IT, TM-640160065JP, TM-640160065KR, TM-640160065MY, TM-640160065PL, TM-640160065RU, TM-640160065SK, TM-640160065SP, TM-640160065TH, TM-640160065TW, TM-640160065VN



*image - Reference only*

**EU RoHS** **China RoHS**

**Compliance Status**

**Not Reviewed**

**REACH SVHC**

**Not Reviewed**

**Low-Halogen Status**

**Not Reviewed**

**Need more information on product environmental compliance?**

Email [productcompliance@molex.com](mailto:productcompliance@molex.com)  
 For a multiple part number RoHS Certificate of Compliance, [click here](#)

Please visit the [Contact Us](#) section for any non-product compliance questions.

**Search Parts in this Series**

[T1101Series](#)

**Use With**

[63801-7200](#) TM-3000, [63800-8300](#)  
 TM-2000, most Industry Standard Presses  
 or Wire Process Machines

**Application Tooling | FAQ**

| Description  | Product #  |
|--|------------|
| Krimptite™ Quick Disconnect, Female, for 10-12 (5.00-3.30mm <sup>2</sup> ) Wire, Mylar Tape, Tab 6.35 x 0.81mm | 0190160070 |