

PLEASE CHECK WWW.MOLEX.COM FOR LATEST PART INFORMATION

Part Number: [63885-2600](#)
Status: **Active**
Description: Mini-Mac™ Applicator

Documents:
[RoHS Certificate of Compliance \(PDF\)](#)

General

Product Family	Application Tooling
Series	T1101
Function	Crimp
Geographic Area	Global
Level of Automation	Automatic, Semi-Automatic
More Detailed Tech Information	applicationtooling@molex.com
Product Name	Mini-Mac™
Survey	www.molex.com//review/apptool_survey.html
Tool Type	Applicator
UPC	822348758692

Material Info

Reference - Drawing Numbers

Application Tooling Documents

638852600, TM-638800000, TM-638800000SP,
 TM-640160065, TM-640160065CN, TM-640160065DE,
 TM-640160065FR, TM-640160065IT,
 TM-640160065JP, TM-640160065KR,
 TM-640160065MY, TM-640160065PL,
 TM-640160065RU, TM-640160065SK,
 TM-640160065SP, TM-640160065TH,
 TM-640160065TW, TM-640160065VN

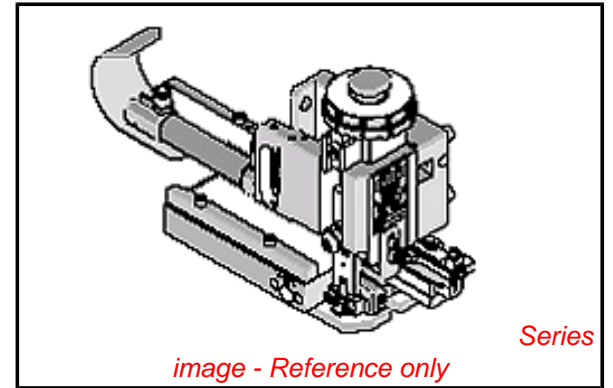


image - Reference only

EU RoHS	China RoHS
----------------	-------------------

Compliance Status

Not Reviewed

REACH SVHC

Not Reviewed

Low-Halogen Status

Not Reviewed

Need more information on product environmental compliance?

Email productcompliance@molex.com
 For a multiple part number RoHS Certificate of Compliance, [click here](#)

Please visit the [Contact Us](#) section for any non-product compliance questions.

Search Parts in this Series

[T1101Series](#)

Use With

Molex TM-2000™, 63800-8300 , most Industry Standard Presses, or Wire Process Machines

Application Tooling Description	FAQ Product #
--	----------------------

InsulKrimp™ Fully Insulated Coupler, Male, for 18-22 AWG Wire, Mylar Tape	0190040004
InsulKrimp™ Fully Insulated Coupler, Male, for 14-16 AWG Wire, Mylar Tape	0190040008
InsulKrimp™ Fully Insulated Coupler, Female, for 14-16 AWG Wire, Mylar Tape	0190050009
InsulKrimp™ Fully Insulated Coupler,	0190050004

Female, for 18-22
AWG Wire, Mylar
Tape

This document was generated on 04/24/2013

PLEASE CHECK WWW.MOLEX.COM FOR LATEST PART INFORMATION