

PLEASE CHECK WWW.MOLEX.COM FOR LATEST PART INFORMATION

Part Number: [63885-2300](#)
Status: **Active**
Description: Mini-Mac™ Applicator

Documents:
[RoHS Certificate of Compliance \(PDF\)](#)

General

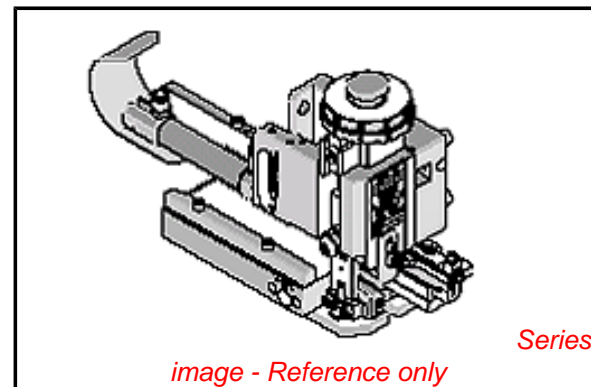
Product Family	Application Tooling
Series	T1101
Function	Crimp
Geographic Area	Global
Level of Automation	Automatic, Semi-Automatic
More Detailed Tech Information	applicationtooling@molex.com
Product Name	Mini-Mac™
Survey	www.molex.com//review/apptool_survey.html
Tool Type	Applicator
UPC	822348754557

Material Info

Reference - Drawing Numbers

Application Tooling Documents

ATS-638852300, TM-638800000, TM-638800000SP, TM-640160065, TM-640160065CN, TM-640160065DE, TM-640160065FR, TM-640160065IT, TM-640160065JP, TM-640160065KR, TM-640160065MY, TM-640160065PL, TM-640160065RU, TM-640160065SK, TM-640160065SP, TM-640160065TH, TM-640160065TW, TM-640160065VN



EU RoHS	China RoHS
Compliance Status	
Not Reviewed	
REACH SVHC	
Not Reviewed	
Low-Halogen Status	
Not Reviewed	

Need more information on product environmental compliance?

Email productcompliance@molex.com
 For a multiple part number RoHS Certificate of Compliance, [click here](#)

Please visit the [Contact Us](#) section for any non-product compliance questions.

Search Parts in this Series
[T1101Series](#)

Use With
 Molex TM-2000™, 63800-8300 , most Industry Standard Presses, or Wire Process Machines

Application Tooling Description	FAQ Product #
InsulKrimp™ Fully Insulated Piggyback Quick Disconnect, Tab 6.35 x 0.81mm, 18-22 AWG, Expanded Red Insulator, Mylar Tape	0190130026
InsulKrimp™ Fully Insulated Piggyback Quick Disconnect, Tab 6.35 x 0.81mm, 18-22 AWG, Expanded	0190130028

This document was generated on 03/08/2013

PLEASE CHECK WWW.MOLEX.COM FOR LATEST PART INFORMATION