

PLEASE CHECK WWW.MOLEX.COM FOR LATEST PART INFORMATION

Part Number: [63885-1061](#)
Status: **Active**
Description: Applicator Wire Guide Funnel Assembly

Documents:
[RoHS Certificate of Compliance \(PDF\)](#)

General

Product Family	Application Tooling
Series	T1118
Comments	Funnel used with 4.70mm nominal wire insulation diameter, wires with smaller insulation diameter may not be effectively guided in the funnel
Function	Crimp
Geographic Area	Global
Level of Automation	Automatic, Semi-Automatic
More Detailed Tech Information	applicationtooling@molex.com
Product Name	Mini-Mac™
Survey	www.molex.com//review/apptool_survey.html
Tool Type	Applicator
UPC	822350607339

Material Info

Reference - Drawing Numbers

Application Tooling Documents	638851061, TM-640160065, TM-640160065CN, TM-640160065DE, TM-640160065FR, TM-640160065IT, TM-640160065JP, TM-640160065KR, TM-640160065MY, TM-640160065PL, TM-640160065RU, TM-640160065SK, TM-640160065SP, TM-640160065TH, TM-640160065TW, TM-640160065VN
-------------------------------	---

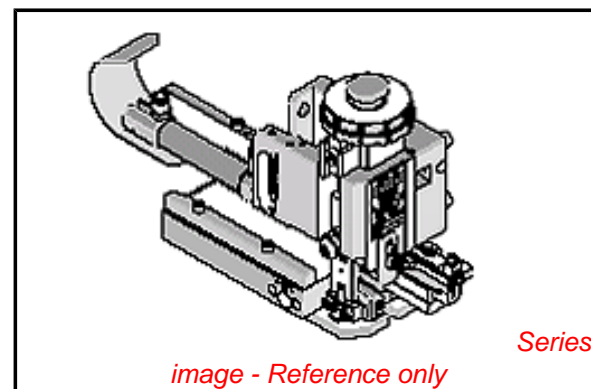


image - Reference only

EU RoHS	China RoHS
Compliance Status	
Not Reviewed	
REACH SVHC	
Not Reviewed	
Low-Halogen Status	
Not Reviewed	

Need more information on product environmental compliance?

Email productcompliance@molex.com
 For a multiple part number RoHS Certificate of Compliance, [click here](#)

Please visit the [Contact Us](#) section for any non-product compliance questions.

Search Parts in this Series
[T1118Series](#)

Use With
[63885-1000](#)