

PLEASE CHECK WWW.MOLEX.COM FOR LATEST PART INFORMATION

Part Number: [63883-7000](#)
Status: **Active**
Description: Mini-Mac™ Applicator

Documents:
[RoHS Certificate of Compliance \(PDF\)](#)

General

Product Family	Application Tooling
Series	T1101
Function	Crimp
Geographic Area	Global
Level of Automation	Automatic, Semi-Automatic
More Detailed Tech Information	applicationtooling@molex.com
Product Name	Mini-Mac™
Survey	www.molex.com//review/apptool_survey.html
Tool Type	Applicator
UPC	822348746101

Physical

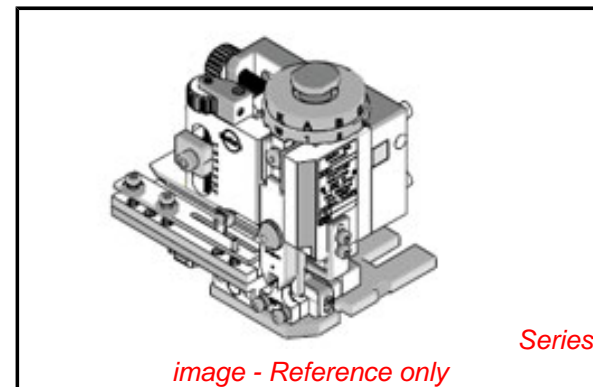
Net Weight 4847.062/g

Material Info

Reference - Drawing Numbers

Application Tooling Documents

ATS-638837000, TM-638800000, TM-638800000SP, TM-640160065, TM-640160065CN, TM-640160065DE, TM-640160065FR, TM-640160065IT, TM-640160065JP, TM-640160065KR, TM-640160065MY, TM-640160065PL, TM-640160065RU, TM-640160065SK, TM-640160065SP, TM-640160065TH, TM-640160065TW, TM-640160065VN



EU RoHS

ELV and RoHS Compliant

REACH SVHC

Not Reviewed

Low-Halogen Status

Not Reviewed

China RoHS



Need more information on product environmental compliance?

Email productcompliance@molex.com
 For a multiple part number RoHS Certificate of Compliance, [click here](#)

Please visit the [Contact Us](#) section for any non-product compliance questions.

Search Parts in this Series

T1101Series

Use With

Molex TM-2000™, 63800-8300 , most Industry Standard Presses, or Wire Process Machines

Application Tooling | [FAQ](#)

Description	Product #
InsulKrimp™ Quick Disconnect, Female, Continuous Molded Strip, Tab 6.35 x 0.81mm	0190030111
Quixon Quick Disconnect, InsulKrimp™ Style, Female, Fully Insulated Red, 18-22 AWG, Continuous Strip	0192760001
InsulKrimp™ Female Quick Disconnect,	0190030097

for 18-22 AWG Wire Range InsulKrimp™	0190030098
Quick Disconnect, Female, for 18-22 (0.80-0.35mm ²), Continuous Molded Strip, Tab 2.79 x 0.81mm	
InsulKrimp™ Fully Insulated Female Coupler for 18-22 Wire Range	0190030105
InsulKrimp™ Female	0190030107
Quick Disconnect, for 18-22 AWG Wire	
InsulKrimp™	0190030108
Quick Disconnect, Female, for 18-22 (0.80-0.35mm ²), Continuous Molded Strip, Tab 4.75 x 0.81mm	
InsulKrimp™ Female	0190030109
Quick Disconnect, for 18-22 AWG Wire	
InsulKrimp™	0190030110
Quick Disconnect, Female, for 18-22 (0.80-0.35mm ²), Continuous Molded Strip, Tab 5.21 x 0.81mm	
InsulKrimp™ Quick Disconnect, Female, Continuous Molded Strip, Tab 4.75 x 0.51mm	0190030128
InsulKrimp™ Quick Disconnect, Female, Continuous Molded Strip, Tab 4.75 x 0.81mm	0190030131

This document was generated on 03/08/2013

PLEASE CHECK WWW.MOLEX.COM FOR LATEST PART INFORMATION