

PLEASE CHECK WWW.MOLEX.COM FOR LATEST PART INFORMATION

Part Number: [63883-4200](#)
Status: **Active**
Description: Mini-Mac™ Applicator

Documents:

[RoHS Certificate of Compliance \(PDF\)](#)

General

Product Family	Application Tooling
Series	T1101
Function	Crimp
Geographic Area	Global
Level of Automation	Automatic, Semi-Automatic
More Detailed Tech Information	applicationtooling@molex.com
Product Name	Mini-Mac™
Survey	www.molex.com//review/apptool_survey.html
Tool Type	Applicator
UPC	822348746125

Physical

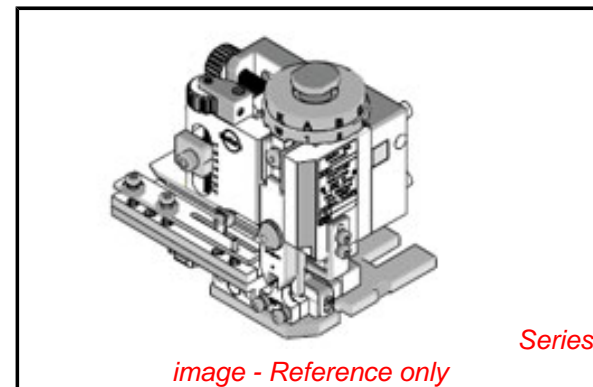
Net Weight 4846.632/g

Material Info

Reference - Drawing Numbers

Application Tooling Documents

ATS-638834200, TM-638800000, TM-638800000SP, TM-640160065, TM-640160065CN, TM-640160065DE, TM-640160065FR, TM-640160065IT, TM-640160065JP, TM-640160065KR, TM-640160065MY, TM-640160065PL, TM-640160065RU, TM-640160065SK, TM-640160065SP, TM-640160065TH, TM-640160065TW, TM-640160065VN



EU RoHS

ELV and RoHS Compliant

REACH SVHC

Not Reviewed

Low-Halogen Status

Not Reviewed

China RoHS



Need more information on product environmental compliance?

Email productcompliance@molex.com
 For a multiple part number RoHS Certificate of Compliance, [click here](#)

Please visit the [Contact Us](#) section for any non-product compliance questions.

Search Parts in this Series

T1101Series

Use With

Molex TM-2000™, 63800-8300 , most Industry Standard Presses, or Wire Process Machines

Application Tooling | FAQ

Description	Product #
Quixon Quick Disconnect, InsulKrimp™ Style, Female, Fully Insulated Blue, 14-16 AWG, Continuous Strip	0192760004
InsulKrimp™ Quick Disconnect, Female, for 14-16 (2.00-1.30mm²), Continuous Molded Strip, Tab 6.35 x 0.81mm	0190030041

InsulKrimp™ Quick Disconnect, Female, Continuous Molded Strip, Tab 6.35 x 0.81mm	0190030045
InsulKrimp™ Female Quick Disconnect, for 14-16 AWG Wire	0190030051
InsulKrimp™ Quick Disconnect, Female, for 14-16 (2.00-1.30mm ²), Continuous Molded Strip, Tab 4.75 x 0.81mm	0190030057
InsulKrimp™ Quick Disconnect, Female, for 14-16 (2.00-1.30mm ²), Continuous Molded Strip, Tab 5.21 x 0.51mm	0190030085
InsulKrimp™ Quick Disconnect, Female, for 14-16 (2.00-1.30mm ²), Continuous Molded Strip, Tab 5.21 x 0.81mm	0190030086
InsulKrimp™ Quick Disconnect, Female, Continuous Molded Strip, Tab 4.75 x 0.51mm	0190030134
InsulKrimp™ Quick Disconnect, Female, Continuous Molded Strip, Tab 4.75 x 0.81mm	0190030137

This document was generated on 03/08/2013

PLEASE CHECK WWW.MOLEX.COM FOR LATEST PART INFORMATION