

PLEASE CHECK WWW.MOLEX.COM FOR LATEST PART INFORMATION

Part Number: [63883-4100](#)
Status: **Active**
Description: Mini-Mac™ Applicator

Documents:

[RoHS Certificate of Compliance \(PDF\)](#)

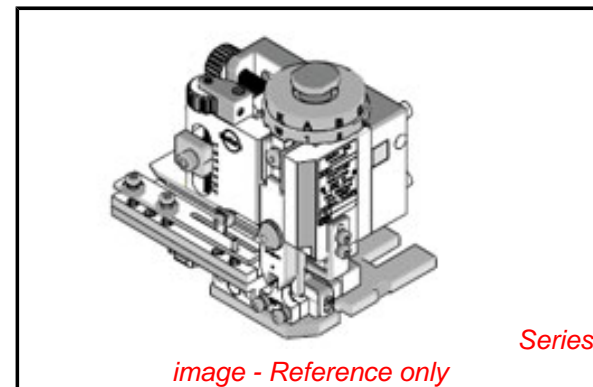
General

Product Family	Application Tooling
Series	T1101
Function	Crimp
Geographic Area	Global
Level of Automation	Automatic, Semi-Automatic
More Detailed Tech Information	applicationtooling@molex.com
Product Name	Mini-Mac™
Survey	www.molex.com//review/apptool_survey.html
Tool Type	Applicator
UPC	822348746026

Material Info

Reference - Drawing Numbers

Application Tooling Documents	ATS-638834100, TM-638800000, TM-638800000SP, TM-640160065, TM-640160065CN, TM-640160065DE, TM-640160065FR, TM-640160065IT, TM-640160065JP, TM-640160065KR, TM-640160065MY, TM-640160065PL, TM-640160065RU, TM-640160065SK, TM-640160065SP, TM-640160065TH, TM-640160065TW, TM-640160065VN
-------------------------------	---



EU RoHS **China RoHS**

Compliance Status

Not Reviewed

REACH SVHC

Not Reviewed

Low-Halogen Status

Not Reviewed

Need more information on product environmental compliance?

Email productcompliance@molex.com
 For a multiple part number RoHS Certificate of Compliance, [click here](#)

Please visit the [Contact Us](#) section for any non-product compliance questions.

Search Parts in this Series

[T1101Series](#)

Use With

Molex TM-2000™, 63800-8300 , most Industry Standard Presses, or Wire Process Machines

Application Tooling	FAQ
Description	Product #

InsulKrimp™ Quick Disconnect, Female, for 14-16 (2.00-1.30mm²), Continuous Molded Strip, Tab 6.35 x 0.81mm	0190030048
InsulKrimp™ Quick Disconnect, Female, for 14-16 (2.00-1.30mm²), Continuous Molded Strip, Tab 4.75 x 0.51mm	0190030054

InsulKrimp™ 0190030060
Quick Disconnect,
Female, for 14-16
(2.00-1.30mm²),
Continuous Molded
Strip, Tab 4.75 x
0.81mm

This document was generated on 03/08/2013

PLEASE CHECK WWW.MOLEX.COM FOR LATEST PART INFORMATION