

PLEASE CHECK WWW.MOLEX.COM FOR LATEST PART INFORMATION

Part Number: [63882-2000](#)
Status: **Active**
Description: Mini-Mac™ Applicator

Documents:
[RoHS Certificate of Compliance \(PDF\)](#)

General

| | |
|--------------------------------|--|
| Product Family | Application Tooling |
| Series | T9999 |
| Comments | See Tooling Specification (PDF) Above |
| Function | Crimp |
| Geographic Area | Global |
| Level of Automation | Automatic, Semi-Automatic |
| More Detailed Tech Information | applicationtooling@molex.com |
| Product Name | Mini-Mac™ |
| Survey | www.molex.com//review/apptool_survey.html |
| Tool Type | Applicator |
| UPC | 800756681788 |

Material Info

Reference - Drawing Numbers

| | |
|-------------------------------|---|
| Application Tooling Documents | ATS-638822000, TM-638800000, TM-638800000SP, TM-640160065, TM-640160065CN, TM-640160065DE, TM-640160065FR, TM-640160065IT, TM-640160065JP, TM-640160065KR, TM-640160065MY, TM-640160065PL, TM-640160065RU, TM-640160065SK, TM-640160065SP, TM-640160065TH, TM-640160065TW, TM-640160065VN |
|-------------------------------|---|

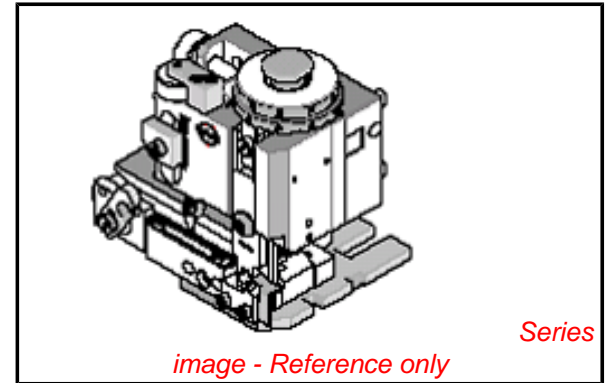


image - Reference only

| | |
|----------------|-------------------|
| EU RoHS | China RoHS |
|----------------|-------------------|

Compliance Status

Not Reviewed

REACH SVHC

Not Reviewed

Low-Halogen Status

Not Reviewed

Need more information on product environmental compliance?

Email productcompliance@molex.com
 For a multiple part number RoHS Certificate of Compliance, [click here](#)

Please visit the [Contact Us](#) section for any non-product compliance questions.

Search Parts in this Series

T9999Series

Use With

Molex TM-3000™, 63801-7200 , 63801-7300. Molex TM-2000™, 63800-8300 , 63800-8400 , most Industry Standard Presses or Wire Process Machines

Application Tooling | [FAQ](#)

| | |
|--------------------|------------------|
| Description | Product # |
|--------------------|------------------|

| | |
|--|------------|
| Flat Blade Crimp Terminal, Series 2176, Female, With Tin (Sn) Plated Brass Contact, With Detent, 14-22 AWG (or 18 AWG Double Crimp), Reel Packaged | 0005060301 |
|--|------------|