

PLEASE CHECK WWW.MOLEX.COM FOR LATEST PART INFORMATION

Part Number: [63882-1000](#)
Status: **Active**
Description: Mini-Mac™ Applicator, 10-13 AWG Wire

Documents:
[RoHS Certificate of Compliance \(PDF\)](#)

General

Product Family	Application Tooling
Series	T9999
Comments	See Tooling Specification (PDF) Above
Function	Crimp
Geographic Area	Global
Level of Automation	Automatic, Semi-Automatic
More Detailed Tech Information	applicationtooling@molex.com
Product Name	Mini-Mac™
Survey	www.molex.com//review/apptool_survey.html
Tool Type	Applicator
UPC	800756657042

Material Info

Reference - Drawing Numbers

Application Tooling Documents

ATS-638821000, TM-638000029, TM-638000029CN, TM-638000029DE, TM-638000029FR, TM-638000029IT, TM-638000029JP, TM-638000029KR, TM-638000029MY, TM-638000029PL, TM-638000029RU, TM-638000029SK, TM-638000029SP, TM-638000029TH, TM-638000029TW, TM-638000029VN, TM-638800000SP

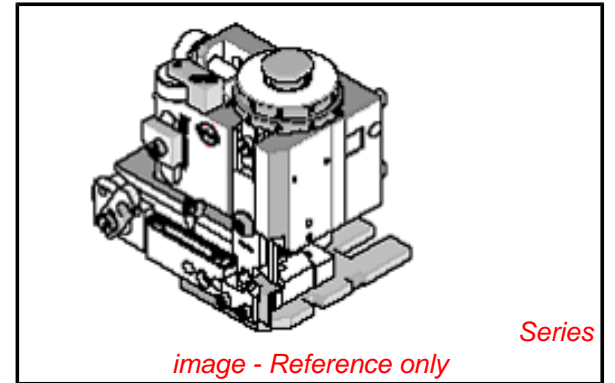


image - Reference only

EU RoHS **China RoHS**

Compliance Status

Not Reviewed

REACH SVHC

Not Reviewed

Low-Halogen Status

Not Reviewed

Need more information on product environmental compliance?

Email productcompliance@molex.com
 For a multiple part number RoHS Certificate of Compliance, [click here](#)

Please visit the [Contact Us](#) section for any non-product compliance questions.

Search Parts in this Series

T9999Series

Use With

Molex TM-3000™, 63801-7200 , 63801-7300. Molex TM-2000™, 63800-8300 , 63800-8400 , most Industry Standard Presses or Wire Process Machines

Application Tooling | **FAQ**

Description	Product #
--------------------	------------------

Flat Blade Crimp Terminal, Series 41422, Female, With Tin (Sn) Plated Brass Contact, 10-12 AWG, Reel Packaged	0040021601
---	------------