

**PLEASE CHECK WWW.MOLEX.COM FOR LATEST PART INFORMATION**

**Part Number:** **0638326600**  
**Status:** **Active**  
**Overview:** Application Tooling  
**Description:** Mini-Mac Applicator for Power Contact Crimp Terminals, 10-12 AWG and 14 AWG Double Wires.

**Documents:**  
[RoHS Certificate of Compliance \(PDF\)](#)

**General**

Product Family	Application Tooling
Series	<a href="#">207127</a>
Comments	See Tooling Specification (PDF) Above
Function	Crimp
Geographic Area	Global
Level of Automation	Automatic, Semi-Automatic
More Detailed Tech Information	<a href="mailto:applicationtooling@molex.com">applicationtooling@molex.com</a>
Overview	<a href="#">Application Tooling</a>
Product Name	Mini-Mac
Tool Type	Applicator
UPC	193264498796
Warranty Disclaimer	CAUTION: Molex tooling crimp specifications are valid only when used with Molex terminals and tooling manufactured by Molex and sold by Molex or authorized distributors ("Molex Tooling"). When using tooling other than Molex Tooling with Molex specific connector systems listed in our ATS documents, the Molex tooling qualification does not apply and the responsibility for full qualification of the connector system is that of the customer. Molex accepts no liability for connector performance or tooling support where tooling other than Molex Tooling is used or where Molex Tooling is modified.

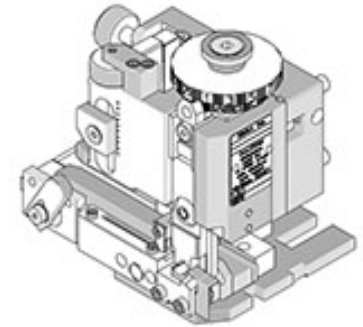
**Physical**

Net Weight 4826.214/g

**Material Info**

**Reference - Drawing Numbers**

Application Tooling Documents 638326600-000



*Series image - Reference only*

**EU ELV**

**Not Reviewed**

**EU RoHS**

**Not Reviewed**

**REACH SVHC**

Not Reviewed

**Halogen-Free**

**Status**

**Not Reviewed**

For more information, please visit [Contact US](#)

China ROHS

Not Reviewed

ELV

Not Reviewed

RoHS Phthalates

Not Reviewed

**Search Parts in this Series**

[207127 Series](#)

**Application Tooling** | **FAQ**  
**Description** | **Product #**

1.57mm Diameter, Standard .062" Pin and Socket Crimp Terminal, Female, with Tin (Sn) Plated Brass Contact, 18-24 AWG, Reel	<a href="#">2061101</a>
1.57mm Diameter, Standard .062" Pin and Socket Crimp Terminal, Female, with Tin (Sn) Plated Brass Contact, 18-24 AWG, Bag	<a href="#">2061103</a>
1.57mm Diameter, Standard .062" Pin and Socket Crimp Terminal, Series 4529, Female, with Tin (Sn) Plated Phosphor Bronze	<a href="#">2061104</a>

Contact, 18-24 AWG,  
Reel  
1.57mm Diameter, 2061118  
Standard .062" Pin  
and Socket Crimp  
Terminal, Series  
1561, Female, with  
Tin (Sn) Plated Brass  
Contact, Without  
Locking Tabs,  
18-24 AWG, Reel  
Packaged  
1.57mm Diameter, 2061131  
Standard .062" Pin  
and Socket Crimp  
Terminal, Series  
1855, Female, with  
Tin (Sn) Plated Brass  
Contact, 24-30 AWG,  
Reel  
1.57mm Diameter, 2061132  
Standard .062" Pin  
and Socket Crimp  
Terminal, Series  
1855, Female, with  
Tin (Sn) Plated Brass  
Contact, 24-30 AWG,  
Bag  
1.57mm Diameter, 2061141  
Standard .062" Pin  
and Socket Crimp  
Terminal, Series  
1855, Female, with  
Tin (Sn) Plated  
Brass Contact,  
24-30 AWG, Without  
Locking Tabs, Reel  
Packaged  
1.57mm Diameter, 2061143  
Standard .062" Pin  
and Socket Crimp  
Terminal, Series  
1855, Female, with  
Tin (Sn) Plated Brass  
Contact, 24-30 AWG,  
Reel Packaged with  
Interleaf Paper  
1.57mm Diameter, 2062101  
Standard .062" Pin  
and Socket Crimp  
Terminal, Series  
1560, Male, with Tin  
(Sn) Plated Brass  
Contact, 18-24 AWG,  
Reel  
1.57mm Diameter, 2062103  
Standard .062" Pin  
and Socket Crimp  
Terminal, Series  
1560, Male, with Tin  
(Sn) Plated Brass  
Contact, 18-24 AWG,  
Bag  
1.57mm Diameter, 2062131  
Standard .062" Pin

and Socket Crimp  
Terminal, Series  
1854, Male, with Tin  
(Sn) Plated Brass  
Contact, 24-30 AWG,  
Reel

1.57mm Diameter, 2062132

Standard .062" Pin  
and Socket Crimp  
Terminal, Series  
1854, Male, with Tin  
(Sn) Plated Brass  
Contact, 24-30 AWG,  
Bag

1.57mm Diameter, 2065100

Standard .062" Pin  
and Socket Crimp  
Terminal, Female,  
with 0.38 $\mu$ m Gold  
(Au) Plated Brass  
Contact, 18-24 AWG,  
Reel

1.57mm Diameter, 2065101

Standard .062" Pin  
and Socket Crimp  
Terminal, Female,  
with 0.76 $\mu$ m Gold  
(Au) Plated Brass  
Contact, 18-24 AWG,  
Reel

1.57mm Diameter, 2065102

Standard .062" Pin  
and Socket Crimp  
Terminal, Female,  
with 0.76 $\mu$ m Gold  
(Au) Plated Brass  
Contact, 18-24 AWG,  
Bag

1.57mm Diameter, 2065103

Standard .062" Pin  
and Socket Crimp  
Terminal, Female,  
with 0.38 $\mu$ m Gold  
(Au) Plated Brass  
Contact, 18-24 AWG,  
Bag

1.57mm Diameter, 2065104

Standard .062" Pin  
and Socket Crimp  
Terminal, Series  
1561, Female,  
with 1.27 $\mu$ m Gold  
Max. Insulation  
Diameter, Loose in  
Bag Packaged

1.57mm Diameter, 2065105

Standard .062" Pin  
and Socket Crimp  
Terminal, Series  
1561, Female, with  
1.27 $\mu$ m Gold Max.  
Insulation Diameter,  
Reel

1.57mm Diameter, 2065108

Standard .062" Pin

and Socket Crimp  
Terminal, Female,  
with Selective Gold  
(Au) Plated Brass  
Contact, 18-24 AWG,  
Reel

1.57mm Diameter, 2065109

Standard .062" Pin  
and Socket Crimp  
Terminal, Female,  
with Selective Gold  
(Au) Plated Brass  
Contact, 18-24 AWG,  
Bag

1.57mm Diameter, 2065130

Standard .062" Pin  
and Socket Crimp  
Terminal, Series  
1855, Female,  
with 0.38 $\mu$ m Gold  
(Au) Plated Brass  
Contact, 24-30 AWG,  
Reel

1.57mm Diameter, 2065135

Standard .062" Pin  
and Socket Crimp  
Terminal, Series  
1855, Female,  
with 0.38 $\mu$ m Gold  
(Au) Plated Brass  
Contact, 24-30 AWG,  
Bag

1.57mm Diameter, 2065138

Standard .062" Pin  
and Socket Crimp  
Terminal, Series  
1855, Female,  
with 0.76 $\mu$ m Gold  
(Au) Plated Brass  
Contact, 24-30 AWG,  
Reel

1.57mm Diameter, 2065139

Standard .062" Pin  
and Socket Crimp  
Terminal, Series  
1855, Female,  
with 0.76 $\mu$ m Gold  
(Au) Plated Brass  
Contact, 24-30 AWG,  
Bag

1.57mm Diameter, 2065147

Standard .062" Pin  
and Socket Crimp  
Terminal, Series  
1855, Female, with  
Selective Gold  
(Au) Plated Brass  
Contact, 24-30 AWG,  
Reel

1.57mm Diameter, 2065148

Standard .062" Pin  
and Socket Crimp  
Terminal, Series  
1855, Female, with  
Selective Gold

(Au) Plated Brass  
Contact, 24-30 AWG,  
Bag  
1.57mm Diameter, 2066100  
Standard .062" Pin  
and Socket Crimp  
Terminal, Series  
1560, Male, with  
Gold (Au) Plated  
Brass Contact, 18-24  
AWG, Reel  
1.57mm Diameter, 2066101  
Standard .062"  
Pin and Socket  
Crimp Terminal,  
Series 1560, Male,  
with .76µm Selective  
Gold (Au) Plated  
Brass Contact,  
18-24 AWG, Reel  
Packaged  
1.57mm Diameter, 2066102  
Standard .062"  
Pin and Socket  
Crimp Terminal,  
Series 1560, Male,  
with .76µm Selective  
Gold (Au) Plated  
Brass Contact, 18-24  
AWG, Bag Packaged  
1.57mm Diameter, 2066103  
Standard .062" Pin  
and Socket Crimp  
Terminal, Series  
1560, Male, with  
Gold (Au) Plated  
Brass Contact, 18-24  
AWG, Bag  
1.57mm Diameter, 2066104  
Standard .062"  
Pin and Socket  
Crimp Terminal,  
Series 1560, Male,  
with Selective  
1.27µm Select Gold  
(Au) Plated Brass  
Contact, 18-24 AWG,  
Bag Packaged  
062 Male Term 2066105  
Chain Brs 50Au  
18-24  
1.57mm Diameter, 2066118  
Standard .062" Pin  
and Socket Crimp  
Terminal, Series  
1560, Male, with  
Selective Gold  
(Au) Plated Brass  
Contact, Tin/Lead  
Plated Crimp Area,  
18-24 AWG, Reel  
1.57mm Diameter, 2066119  
Standard .062" Pin  
and Socket Crimp  
Terminal, Series

1560, Male, with  
Selective Gold  
(Au) Plated Brass  
Contact, Tin/Lead  
Plated Crimp Area,  
18-24 AWG, Bag  
1.57mm Diameter, 2066122  
Standard .062"  
Pin and Socket  
PC Tail Terminal,  
Series 1778, Male,  
with Selective Gold  
(Au) Plated Brass  
Contact, Bag  
.062 Male Term PC 2066125  
Tail 30 au  
1.57mm Diameter, 2066130  
Standard .062" Pin  
and Socket Crimp  
Terminal, Series  
1854, Male, with  
Gold (Au) Plated  
Brass Contact, 24-30  
AWG, Reel  
1.57mm Diameter, 2066135  
Standard .062" Pin  
and Socket Crimp  
Terminal, Series  
1854, Male, with  
Gold (Au) Plated  
Brass Contact, 24-30  
AWG, Bag  
1.57mm Diameter, 2066138  
Standard .062" Pin  
and Socket Crimp  
Terminal, Series  
1854, Male, with  
Selective Gold  
(Au) Plated Brass  
Contact, 24-30 AWG,  
Reel  
1.57mm Diameter, 2066139  
Standard .062" Pin  
and Socket Crimp  
Terminal, Series  
1854, Male, with  
Selective Gold  
(Au) Plated Brass  
Contact, 24-30 AWG,  
Bag  
1.57mm Diameter, 2066143  
Standard .062" Pin  
and Socket Crimp  
Terminal, Series  
1854, Male, with  
Selective Gold  
(Au) Plated Brass  
Contact, Tin (Sn)  
Plated Crimp Area,  
24-30 AWG, Reel  
1.57mm Diameter, 2066144  
Standard .062" Pin  
and Socket Crimp  
Terminal, Series  
1854, Male, with

Selective Gold  
(Au) Plated Brass  
Contact, Tin (Sn)  
Plated Crimp Area,  
24-30 AWG, Bag  
1.57mm Diameter, 2067103  
Standard .062" Pin  
and Socket PC Tail  
Terminal, Series  
1779, Female,  
with 2.54µm Tin  
(Sn) Plated Brass  
Contact, Bag  
Packaged  
1.57mm Diameter, 2067104  
Standard .062" Pin  
and Socket PC Tail  
Terminal, Series  
1779, Female,  
with .76µm Selective  
Gold (Au) Plated  
Brass Contact, Bag  
Packaged  
1.57mm Diameter, 2068103  
Standard .062" Pin  
and Socket PC Tail  
Terminal, Series  
1778, Male, with Tin  
(Sn) Plated Brass  
Contact, Bag  
062 Male Term Tin 2068104  
PCTail Chn  
Vertical Solder 2072101  
Relief (VSR) Direct-  
Solder Crimp  
Terminal, Series  
4706, Male, Tin  
Terminal Progression  
MLX Female Crimp 2081001  
Terminal 42024,  
14-20 AWG, Reel,  
Brass, Tin (Sn)  
Plating  
MLX Crimp Terminal 2081002  
42024, 14-20 AWG,  
Bag Tin (Sn)  
MLX Female Crimp 2081003  
Terminal 42024,  
14-20 AWG, Reel,  
Phosphor Bronze,  
Tin (Sn) Plating  
MLX Crimp Terminal 2081004  
42024, 14-20 AWG,  
Bag Tin (Sn)  
Claspcn Crimp 2081101  
Terminal Socket, Tin  
(Sn) Plated Brass  
Contact, 16-24 AWG,  
Reel  
Claspcn Crimp 2081102  
Terminal Socket, Tin  
(Sn) Plated Brass  
Contact, 16-24 AWG,  
Bag

Claspcron Crimp 2081103  
 Terminal Socket, Tin  
 (Sn) Plated Brass  
 Contact, 24-30 AWG,  
 Reel

Claspcron Crimp 2081104  
 Terminal Socket, Tin  
 (Sn) Plated Brass  
 Contact, 24-30 AWG,  
 Bag

Disk Drive Power 2081201  
 Connection System,  
 Female Crimp  
 Terminal, Reel,  
 Phosphor Bronze,  
 AWG 14-20

.084" UNPLATED 2081211  
 TERMINAL 8980V01

.084" PC TAIL TERM2081212  
 - 999 8980R11

.084" PC TAIL TERM2081214  
 - 999 8980R13

2.096MM DIA 2081266  
 TERMINAL

2.096MM DIA 2081268  
 TERMINAL

2.13mm DIA PC 2081309  
 TAIL TERM PhBr

2.54SnLF

2.096MM DIA 2081363  
 TERMINAL PhBr

2.54SnLF

2.096MM DIA 2081365  
 TERMINAL PhBr

2.54SnLF

MLX Male Crimp 2082003  
 Terminal 42023,  
 14-20 AWG, Reel,  
 Brass, Tin (Sn)  
 Plating

MLX Crimp Terminal 2082004  
 42023, 14-20 AWG,  
 Bag Tin (Sn)

MLX Male Crimp 2082005  
 Terminal 42023,  
 14-20 AWG, Reel,  
 Phosphor Bronze,  
 Tin (Sn) Plating

MLX Crimp Terminal 2082006  
 42023, 14-20 AWG,  
 Bag Tin (Sn)

MLX Crimp Terminal 2082008  
 42023, 14-20 AWG,  
 Bag Selective Gold  
 (Au)

42023-2A0, Ter Male 2082011  
 2.13 Chn Unplate

Claspcron Crimp 2085101  
 Terminal Socket, Tin  
 (Sn) Plated Brass  
 Contact, 16-24 AWG,  
 Reel

2.36mm Diameter, 2091102  
 Standard .093" Pin  
 and Socket Crimp

Terminal, Series  
1189, Female, with  
Tin (Sn) Plated Brass  
Contact, 14-20 AWG,  
Reel  
2.36mm Diameter, 2091104  
Standard .093" Pin  
and Socket Crimp  
Terminal, Series  
1189, Female, with  
Tin (Sn) Plated Brass  
Contact, 14-20 AWG,  
Bag  
093FemaleTerm 2091115  
Chain/IntLeaf Brs  
Tin18-22  
2.36mm Diameter, 2091117  
Standard .093" Pin  
and Socket Crimp  
Terminal, Series  
1381, Female, with  
Tin (Sn) Plated Brass  
Contact, 18-22 AWG,  
Reel  
2.36mm Diameter 2091118  
Standard .093"  
Crimp Terminal,  
Dimpled Female,  
18-22 AWG, Bag  
2.36mm Diameter, 2091119  
Standard .093" Pin  
and Socket Crimp  
Terminal, Series  
1381, Female, with  
Tin (Sn) Plated Brass  
Contact, 18-22 AWG,  
Bag  
2.36mm Diameter, 2091122  
Standard .093" Pin  
and Socket Crimp  
Terminal, Series  
2273, Female, with  
Tin (Sn) Plated  
Contact, Low  
Engagement Force,  
18-22 AWG, Reel  
2.36mm Diameter, 2091123  
Standard .093" Pin  
and Socket Crimp  
Terminal, Series  
2273, Female, with  
Tin (Sn) Plated  
Contact, Low  
Engagement Force,  
18-22 AWG, Bag  
2.36mm Diameter, 2091134  
Standard .093" Pin  
and Socket PC Tail  
Terminal, Series  
1377, Female, with  
Tin (Sn) Plated  
Contact, Bag  
Crimp Terminal 2091153  
41483, 14-18 AWG,  
Reel

2.36mm Diameter, [2091155](#)  
Standard .093" Pin  
and Socket Crimp  
Terminal, Series  
41483, Female, with  
Tin (Sn) Plated Brass  
Contact, 14-18 AWG  
with Large Insulation  
Diameter, Chain

2.36mm Diameter, [2091205](#)  
Standard .093" Pin  
and Socket Crimp  
Terminal, Series  
4550, Female, with  
Tin (Sn) Plated  
Phosphor Bronze  
Contact, 14-20 AWG,  
Reel

2.36mm Diameter, [2091206](#)  
Standard .093" Pin  
and Socket Crimp  
Terminal, Series  
4550, Female, with  
Tin (Sn) Plated  
Phosphor Bronze  
Contact, 14-20 AWG,  
Bag

2.36mm Diameter, [2091615](#)  
Standard .093"  
Pin and Socket  
Crimp Terminal,  
Series 42477,  
Female, with Tin  
(Sn) Plated Contact,  
High Current/Low  
Engagement Force,  
14-18 AWG, Reel

2.36mm Diameter [2091651](#)  
Socket, Without  
Insulation Crimp for  
16-20 AWG Wire

2.36mm Diameter, [2092101](#)  
Standard .093" Pin  
and Socket Crimp  
Terminal, Series  
1190, Male, with Tin  
(Sn) Plated Brass  
Contact, 14-20 AWG,  
Reel

2.36mm Diameter, [2092103](#)  
Standard .093" Pin  
and Socket Crimp  
Terminal, Series  
1190, Male, with Tin  
(Sn) Plated Brass  
Contact, 14-20 AWG,  
Bag

Vertical Solder Relief [2092105](#)  
(VSR) Direct-Solder  
Crimp Terminal,  
Series 4706, Male,  
Tin (Sn) Plated Brass  
Contact, 16-18 AWG,  
11.20mm Terminal  
Progression

2.36mm Diameter, [2092116](#)  
Standard .093" Pin  
and Socket Crimp  
Terminal, Series  
1380, Male, with Tin  
(Sn) Plated Brass  
Contact, 18-22 AWG,  
Reel

2.36mm Diameter, [2092117](#)  
Standard .093" Pin  
and Socket Crimp  
Terminal, Series  
1380, Male, with Tin  
(Sn) Plated Brass  
Contact, without  
Dents, 18-22 AWG,  
Reel

2.36mm Diameter, [2092118](#)  
Standard .093" Pin  
and Socket Crimp  
Terminal, Series  
1380, Male, with Tin  
(Sn) Plated Brass  
Contact, 18-22 AWG,  
Bag

093 MaleTermChain/  
IntLeaf Brs Tin18-22 [2092127](#)

2.36mm Diameter, [2092133](#)  
Standard .093" Pin  
and Socket PC Tail  
Terminal, Series  
1376, Male, with Tin/  
Lead (Sn/Pb) Plated  
Contact, With Detent,  
Bag Packaged

2.36mm Diameter, [2092134](#)  
Standard .093" Pin  
and Socket PC Tail  
Terminal, Series  
1376, Male, with Tin  
(Sn) Plated Contact,  
Without Detent, Bag  
Packaged

2.36mm Diameter, [2092166](#)  
Standard .093" Pin  
and Socket Crimp  
Terminal, Series  
4549, Male, with  
Tin (Sn) Plated  
Phosphor Bronze  
Contact, 14-20 AWG,  
Reel Packaged

2.36mm Diameter, [2092167](#)  
Standard .093" Pin  
and Socket Crimp  
Terminal, Series  
4549, Male, with  
Tin (Sn) Plated  
Phosphor Bronze  
Contact, 14-20 AWG,  
Bag Packaged

2.36mm Diameter, [2092170](#)  
Standard .093" Pin  
and Socket Crimp  
Terminal, Series

1190, Male, with Tin  
(Sn) Plated Brass  
Contact, 14-18 AWG,  
Large Insulation  
Crimp, Reel  
2.36mm Diameter, 2092171  
Standard .093" Pin  
and Socket Crimp  
Terminal, Series  
1190, Male, with Tin  
(Sn) Plated Brass  
Contact, 14-18 AWG,  
Large Insulation  
Crimp, Bag  
2.36mm Diameter, 2092611  
Standard .093" Pin  
and Socket Crimp  
Terminal, Series  
42478, Male, with Tin  
(Sn) Plated Contact,  
High Current/Low  
Engagement Force,  
14-18 AWG, Reel  
2.36mm Diameter, 2095100  
Standard .093" Pin  
and Socket Crimp  
Terminal, Series  
1189, Female, with  
Gold (Au) Plated  
Brass Contact, 14-20  
AWG, Reel  
2.36mm Diameter, 2095101  
Standard .093" Pin  
and Socket Crimp  
Terminal, Series  
1190, Male, with Tin  
(Sn) Plated Brass  
Contact, 14-20 AWG,  
Chain  
2.36mm Diameter, 2095102  
Standard .093" Pin  
and Socket Crimp  
Terminal, Series  
1189, Female, with  
Selective Gold  
(Au) Plated Brass  
Contact, 14-20 AWG,  
Reel  
2.36mm Diameter, 2095106  
Standard .093" Pin  
and Socket Crimp  
Terminal, Series  
1189, Female, with  
Gold (Au) Plated  
Brass Contact, 14-20  
AWG, Bag  
2.36mm Diameter, 2095111  
Standard .093" Pin  
and Socket Crimp  
Terminal, Series  
1189, Female, with  
Selective Gold  
(Au) Plated Brass  
Contact, 14-20 AWG,  
Bag

2.36mm Diameter, [2095130](#)  
Standard .093" Pin  
and Socket Crimp  
Terminal, Series  
1381, Female, with  
Selective Gold  
(Au) Plated Brass  
Contact, 18-22 AWG,  
Reel

2.36mm Diameter, [2095132](#)  
Standard .093" Pin  
and Socket PC Tail  
Terminal, Series  
1377, Female, with  
Gold (Au) Plated  
Contact, Bag

2.36mm Diameter, [2095133](#)  
Standard .093" Pin  
and Socket Crimp  
Terminal, Series  
1381, Female, with  
Selective Gold  
(Au) Plated Brass  
Contact, 18-22 AWG,  
Bag

2.36mm Diameter, [2095142](#)  
Standard .093" Pin  
and Socket Crimp  
Terminal, Series  
1381, Female, with  
Gold (Au) Plated  
Brass Contact, 18-22  
AWG, Bag

2.36mm Diameter, [2095143](#)  
Standard .093" Pin  
and Socket Crimp  
Terminal, Series  
1381, Female, with  
Gold (Au) Plated  
Brass Contact, 18-22  
AWG, Reel

2.36mm Diameter, [2095169](#)  
Standard .093" Pin  
and Socket Crimp  
Terminal, Series  
4550, Female, with  
Gold (Au) Plated  
Phosphor Bronze  
Contact, 14-20 AWG,  
Reel

2.36mm Diameter, [2095170](#)  
Standard .093" Pin  
and Socket Crimp  
Terminal, Series  
4550, Female, with  
Gold (Au) Plated  
Phosphor Bronze  
Contact, 14-20 AWG,  
Bag

2.36mm Diameter, [2096100](#)  
Standard .093" Pin  
and Socket Crimp  
Terminal, Series  
1190, Male, with  
Gold (Au) Plated

Brass Contact, 14-20  
AWG, Reel  
2.36mm Diameter, 2096101  
Standard .093" Pin  
and Socket Crimp  
Terminal, Series  
1190, Male, with  
Selective Gold  
(Au) Plated Brass  
Contact, 14-20 AWG,  
Reel  
2.36mm Diameter, 2096102  
Standard .093" Pin  
and Socket Crimp  
Terminal, Series  
1189, Female, with  
Tin (Sn) Plated Brass  
Contact, 14-20 AWG,  
Reel  
2.36mm Diameter, 2096106  
Standard .093" Pin  
and Socket Crimp  
Terminal, Series  
1190, Male, with  
Gold (Au) Plated  
Brass Contact, 14-20  
AWG, Bag  
2.36mm Diameter, 2096110  
Standard .093" Pin  
and Socket Crimp  
Terminal, Series  
1190, Male, with  
Selective Gold  
(Au) Plated Brass  
Contact, 14-20 AWG,  
Bag  
2.36mm Diameter, 2096122  
Standard .093" Pin  
and Socket Crimp  
Terminal, Series  
1380, Male, with  
Gold (Au) Plated  
Brass Contact, 18-22  
AWG, Reel  
2.36mm Diameter, 2096123  
Standard .093" Pin  
and Socket Crimp  
Terminal, Series  
1380, Male, with  
Gold (Au) Plated  
Brass Contact, 18-22  
AWG, Bag  
2.36mm Diameter, 2096125  
Standard .093" Pin  
and Socket Crimp  
Terminal, Series  
1380, Male, with  
Selective Gold  
(Au) Plated Brass  
Contact, 18-22 AWG,  
Reel  
2.36mm Diameter, 2096126  
Standard .093" Pin  
and Socket Crimp  
Terminal, Series

1380, Male, with  
Selective Gold  
(Au) Plated Brass  
Contact, 18-22 AWG,  
Bag

2.36mm Diameter, 2096132  
Standard .093"

Pin and Socket  
PC Tail Terminal,  
Series 1376, Male,  
with Gold (Au)  
Plated Contact,  
Without Detent, Bag  
Packaged

2.36mm Diameter, 2098103  
Standard .093" Pin

and Socket Crimp  
Grounding Terminal,  
Series 1973, Male,  
with Tin (Sn) Plated  
Brass Contact, 18-22  
AWG, Reel

2.36mm Diameter, 2098104  
Standard .093" Pin

and Socket Crimp  
Grounding Terminal,  
Series 1973, Male,  
with Tin (Sn) Plated  
Brass Contact, 18-22  
AWG, Bag

2.36mm Diameter, 2098108  
Standard .093" Pin

and Socket Crimp  
Grounding Terminal,  
Series 1973, Male,  
with Tin (Sn) Plated  
Brass Contact, 14-18  
AWG, Reel

2.36mm Diameter, 2098109  
Standard .093" Pin

and Socket Crimp  
Grounding Terminal,  
Series 1973, Male,  
with Tin (Sn) Plated  
Brass Contact, 14-18  
AWG, Bag

Mini-Fit Jr. 3044052

Receptacle Housing,  
Single Row, 5  
Circuits, UL 94V-2,  
Natural

1.57mm Diameter 3061011  
Standard .062"

Pin and Socket  
Receptacle Housing,  
1 Circuits, Natural

1.57mm Diameter 3061022  
Standard .062"

Pin and Socket  
Receptacle Housing,  
2 Circuits, with Pre-  
bent Mounting Ears,  
Natural

1.57mm Diameter 3061023  
Standard .062"

Pin and Socket  
Receptacle Housing,  
2 Circuits, without  
Mounting Ears,  
Natural  
1.57mm Diameter    3061031  
Standard .062"

Pin and Socket  
Receptacle Housing,  
3 Circuits, with  
Standard Mounting  
Ears  
1.57mm Diameter    3061032  
Standard .062"

Pin and Socket  
Receptacle Housing,  
3 Circuits, without  
Mounting Ears,  
Natural  
1.57mm Diameter    3061038  
Standard .062"

Pin and Socket  
Receptacle Housing,  
3 Circuits, with Pre-  
bent Mounting Ears,  
Natural  
1.57mm Diameter    3061041  
Standard .062"

Pin and Socket  
Receptacle Housing,  
4 Circuits, with  
Standard Mounting  
Ears  
1.57mm Diameter    3061042  
Standard .062"

Pin and Socket  
Receptacle Housing,  
4 Circuits, without  
Mounting Ears,  
Natural  
1.57mm Diameter    3061044  
Standard .062"

Pin and Socket  
Receptacle Housing,  
Dual Row, without  
Mounting Ears, PA  
Polyamide Nylon 6/6,  
UL 94V-2, 4 Circuits,  
Natural  
1.57mm Diameter    3061062  
Standard .062"

Pin and Socket  
Receptacle Housing,  
6 Circuits, without  
Mounting Ears,  
Natural  
1.57mm Diameter    3061092  
Standard .062"

Pin and Socket  
Receptacle Housing,  
9 Circuits, without  
Mounting Ears,  
Natural  
1.57mm Diameter    3061121  
Standard .062"

Pin and Socket Receptacle Housing, 12 Circuits, with Standard Mounting Ears, Natural 1.57mm Diameter Standard .062"	<u>3061122</u>
Pin and Socket Receptacle Housing, 12 Circuits, without Mounting Ears, Natural 1.57mm Diameter Standard .062"	<u>3062011</u>
Pin and Socket Plug Housing, 1 Circuits, Natural 1.57mm Diameter Standard .062"	<u>3062023</u>
Pin and Socket Plug Housing, 2 Circuits, without Mounting Ears, Natural 1.57mm Diameter Standard .062"	<u>3062024</u>
Pin and Socket Plug Housing, 2 Circuits, with Pre- bent Mounting Ears, Natural 1.57mm Diameter Standard .062"	<u>3062031</u>
Pin and Socket Plug Housing, 3 Circuits, with Standard Mounting Ears, Natural 1.57mm Diameter Standard .062"	<u>3062032</u>
Pin and Socket Plug Housing, 3 Circuits, without Mounting Ears, Natural 1.57mm Diameter Standard .062"	<u>3062033</u>
Pin and Socket Plug Housing, 3 Circuits, with Pre- bent Mounting Ears, Natural 1.57mm Diameter Standard .062"	<u>3062041</u>
Pin and Socket Plug Housing, 4 Circuits, with Standard Mounting Ears 1.57mm Diameter Standard .062"	<u>3062042</u>
Pin and Socket Plug Housing, 4 Circuits, without Mounting Ears, Natural 1.57mm Diameter Standard .062"	<u>3062044</u>
Pin and Socket Plug	

Housing, Dual Row,  
without Mounting  
Ears, PA Polyamide  
Nylon 6/6, UL 94V-2,  
4 Circuits, Natural  
1.57mm Diameter 3062061  
Standard .062" Pin  
and Socket Plug  
Housing, 6 Circuits,  
without Mounting  
Ears, Natural  
1.57mm Diameter 3062092  
Standard .062" Pin  
and Socket Plug  
Housing, 9 Circuits,  
without Mounting  
Ears, Natural  
1.57mm Diameter 3062121  
Standard .062"  
Pin and Socket  
Plug Housing, 12  
Circuits, with Pre-  
bent Mounting Ears,  
Natural  
1.57mm Diameter 3062122  
Standard .062" Pin  
and Socket Plug  
Housing, 12 Circuits,  
without Mounting  
Ears, Natural  
1.57mm Diameter 3066023  
Standard .062"  
Pin and Socket  
Receptacle Housing,  
2 Circuits, without  
Mounting Ears, Black  
1.57mm Diameter 3066062  
Standard .062"  
Pin and Socket  
Receptacle Housing,  
6 Circuits, without  
Mounting Ears, Black  
1.57mm Diameter 3067023  
Standard .062" Pin  
and Socket Plug  
Housing, Black, 2  
Circuits, without  
Mounting Ears, Black  
1.57mm Diameter 3067044  
Standard .062" Pin  
and Socket Plug  
Housing, Dual Row,  
without Mounting  
Ears, PA Polyamide  
Nylon 6/6, UL 94V-2,  
4 Circuits, Black  
1.57mm Diameter 3067061  
Standard .062" Pin  
and Socket Plug  
Housing, 6 Circuits,  
without Mounting  
Ears, Black  
2.36mm Diameter 3091011  
Standard .093"  
Pin and Socket

Receptacle Housing,  
1 Circuit, Friction  
Lock, Natural  
2.36mm Diameter 3091022  
Standard .093"  
Pin and Socket  
Receptacle Housing,  
2 Circuits, without  
Mounting Ears, with  
Ramps, Natural  
2.36mm Diameter 3091027  
Standard .093"  
Pin and Socket  
Receptacle Housing,  
2 Circuits, with Pre-  
bent Mounting Ears,  
with Ramps, Natural  
2.36mm Diameter 3091030  
Standard Receptacle  
Housing, 3 Circuit,  
Natural  
2.36mm Diameter 3091031  
Standard .093"  
Pin and Socket  
Receptacle Housing,  
3 Circuits, Single  
Row, Natural  
2.36mm Diameter 3091032  
Standard .093"  
Pin and Socket  
Receptacle Housing,  
3 Circuits, Single  
Row, Natural  
2.36mm Diameter 3091033  
Standard .093"  
Pin and Socket  
Receptacle Housing,  
3 Circuits, Single  
Row, Free-Hanging,  
without Passive Lock  
Ramps, Natural  
2.36mm Diameter 3091041  
Standard .093"  
Pin and Socket  
Receptacle Housing,  
4 Circuits, Single  
Row, Natural  
2.36mm Diameter 3091042  
Standard .093"  
Pin and Socket  
Receptacle Housing,  
4 Circuits, Single  
Row, Natural  
2.36mm Diameter 3091049  
Standard .093"  
Pin and Socket  
Receptacle Housing,  
4 Circuits, Dual Row,  
without Mounting  
Ears, Natural  
2.36mm Diameter 3091061  
Standard .093"  
Pin and Socket  
Receptacle Housing,

6 Circuits, Dual Row,  
Natural  
2.36mm Diameter 3091062  
Standard .093"  
Pin and Socket  
Receptacle Housing,  
6 Circuits, Dual Row,  
Natural  
2.36mm Diameter 3091063  
Standard .093"  
Pin and Socket  
Receptacle Housing,  
6 Circuits, Dual Row,  
without Panel Mount  
Ears, without Friction  
Lock Ramp  
2.36mm Diameter 3091064  
Standard .093"  
Pin and Socket  
Receptacle Housing,  
6 Circuits, Dual Row,  
Natural  
2.36mm Diameter 3091081  
Standard .093"  
Pin and Socket  
Receptacle Housing,  
3 Circuits, Single  
Row, Natural  
2.36mm Diameter 3091091  
Standard .093"  
Pin and Socket  
Receptacle  
Housings, 9 Circuits,  
3 Rows, Natural  
2.36mm Diameter 3091092  
Standard .093"  
Pin and Socket  
Receptacle  
Housings, 9 Circuits,  
3 Rows, with Panel  
Mount Ears, without  
Passive Lock Ramp  
2.36mm Diameter 3091093  
Standard .093"  
Pin and Socket  
Receptacle  
Housings, 9 Circuits,  
3 Rows, without  
Panel Mount Ears,  
without Passive Lock  
Ramp  
2.36mm Diameter 3091094  
Standard .093"  
Pin and Socket  
Receptacle  
Housings, 9 Circuits,  
3 Rows, Natural  
2.36mm Diameter 3091121  
Standard .093"  
Pin and Socket  
Receptacle Housing,  
12 Circuits, 3 Rows,  
Panel Mountable,  
without Passive  
Locking Ramps

2.36mm Diameter 3091125  
Standard .093"  
Pin and Socket  
Receptacle Housing,  
12 Circuits, 3 Rows,  
Natural

2.36mm Diameter 3091126  
Standard .093"  
Pin and Socket  
Receptacle Housing,  
12 Circuits, 3 Rows,  
Natural

2.36mm Diameter 3091151  
Standard .093"  
Pin and Socket  
Receptacle Housing,  
15 Circuits, 3 Rows,  
with Pre-Bent  
Mounting Ears,  
without Lock Ramps

2.36mm Diameter 3091152  
Standard .093"  
Pin and Socket  
Receptacle Housing,  
15 Circuits, 3 Rows,  
without Mounting  
Ears, without Lock  
Ramps

2.36mm Diameter 3091153  
Standard .093"  
Pin and Socket  
Receptacle Housing,  
15 Circuits, 3 Rows,  
with Pre-bent  
Mounting Ears, with  
Lock Ramps

2.36mm Diameter 3091157  
Standard .093"  
Pin and Socket  
Receptacle Housing,  
15 Circuits, 3 Rows,  
without Mounting  
Ears, with Lock  
Ramps

2.36mm Diameter 3091161  
Standard .093"  
Pin and Socket  
Receptacle Housing  
without Mounting  
Ears, Positive Lock,  
2 Circuits

2.36mm Diameter 3092011  
Standard .093" Pin  
and Socket Plug  
Housing, 1 Circuit,  
Friction Lock, Natural

2.36mm Diameter 3092021  
Standard .093" Pin  
and Socket Plug  
Housing, 2 Circuits,  
with Standard  
Mounting Ears,  
Natural

2.36mm Diameter 3092022  
Standard .093" Pin

and Socket Plug Housing, 2 Circuits, without Mounting Ears, Natural 2.36mm Diameter Standard .093" Pin and Socket Plug	<u>3092031</u>
Housing, 3 Circuits, Single Row, Natural 2.36mm Diameter Standard .093" Pin and Socket Plug	<u>3092032</u>
Housing, 3 Circuits, Single Row, Natural 2.36mm Diameter Standard .093" Pin and Socket Plug	<u>3092041</u>
Housing, 4 Circuits, Single Row 2.36mm Diameter Standard .093" Pin and Socket Plug	<u>3092042</u>
Housing, 4 Circuits, Single Row 2.36mm Diameter Standard .093" Pin and Socket Plug	<u>3092049</u>
Housing, 4 Circuits, Dual Row, without Mounting Ears, Natural 2.36mm Diameter Standard .093" Pin and Socket Plug	<u>3092061</u>
Housing, 6 Circuits, Dual Row 2.36mm Diameter Standard .093" Pin and Socket Plug	<u>3092062</u>
Housing, 6 Circuits, Dual Row 2.36mm Diameter Standard .093" Pin and Socket Plug	<u>3092092</u>
Housings, 9 Circuits, 3 Rows 2.36mm Diameter Standard .093" Pin and Socket Plug	<u>3092121</u>
Housing, 12 Circuits, 3 Rows 2.36mm Diameter Standard .093" Pin and Socket Plug	<u>3092122</u>
Housing, 12 Circuits, 3 Rows 2.36mm Diameter Standard .093" Pin and Socket Plug	<u>3092151</u>
Housing, 15 Circuits, 3 Rows, without Mounting Ears, with Pull Tabs, without Lock Windows	

2.36mm Diameter Standard .093" Pin and Socket Plug Housing, 15 Circuits, 3 Rows, with Pre- Bent Mounting Ears, without Pull Tabs, with Lock Windows	<u>3092159</u>
2.36mm Diameter Standard .093" Pin and Socket Plug Housing without Mounting Ears, Positive Lock, 2 Circuits	<u>3092161</u>
2.36mm Diameter Standard .093" Pin and Socket Receptacle Housing, 2 Circuits, with Pre- bent Mounting Ears, with Ramps, Black	<u>3096021</u>
2.36mm Diameter Standard .093" Pin and Socket Plug Housing, 2 Circuits, without Mounting Ears, Black	<u>3097022</u>
2.36mm Diameter Standard .093" Pin and Socket Plug Housing, 2 Circuits, without Mounting Ears, Red	<u>3097024</u>
2.36mm Diameter Standard .093" Pin and Socket Plug Housing, 3 Circuits, Single Row, Black	<u>3097032</u>
3.18mm Diameter, HCS125, Pin and Socket Receptacle Housing, 2 Circuits, Single Row, with and without Panel Mount Ears	<u>3121022</u>
3.18mm Diameter, HCS125, Pin and Socket Receptacle Housing, Single Row, 2 Circuits, Natural (Translucent)	<u>3121026</u>
3.18mm Diameter, HCS125, Pin and Socket Receptacle Housing, Single Row, without Panel Mount Ears, 3 Circuits, Natural, Nylon 94V-2	<u>3121036</u>
3.18mm Diameter, HCS125, Pin and Socket Receptacle Housing, Single	<u>3121046</u>

Row, 4 Circuits,  
Natural (Translucent)  
3.18mm Diameter, 3122022  
HCS125, Pin  
and Socket Plug  
Housing, 2 Circuits,  
Single Row, with and  
without Panel Mount  
Ears  
3.18mm Diameter, 3122025  
HCS125, Pin  
and Socket Plug  
Housing, Single  
Row, with Panel  
Mount Ears, 2  
Circuits, Natural  
(Translucent)  
3.18mm Diameter, 3122026  
HCS125, Pin  
and Socket Plug  
Housing, Single  
Row, without Panel  
Mount Ears, 2  
Circuits, Natural  
(Translucent)  
3.18mm Diameter, 3122035  
HCS125, Pin  
and Socket Plug  
Housing, Single  
Row, with Panel  
Mount Ears, 3  
Circuits, Natural,  
Nylon 94V-2  
3.18mm Diameter, 3122036  
HCS125, Pin  
and Socket Plug  
Housing, Single  
Row, without Panel  
Mount Ears, 3  
Circuits, Natural,  
Nylon 94V-2  
3.18mm Diameter, 3122045  
HCS125, Pin  
and Socket Plug  
Housing, Single  
Row, with Panel  
Mount Ears, 4  
Circuits, Natural  
(Translucent)  
3.18mm Diameter, 3122046  
HCS125, Pin  
and Socket Plug  
Housing, Single  
Row, without Panel  
Mount Ears, 4  
Circuits, Natural  
(Translucent)  
Flat Blade Crimp 5060117  
Terminal, Series  
1508, Female, With  
Tin (Sn) Plated  
Brass Contact, 14-18  
AWG (or 18 AWG  
Double Crimp), Reel  
Packaged

Flat Blade Crimp Terminal, Series 2176, Female, With Tin (Sn) Plated Brass Contact, With Detent, 14-22 AWG (or 18 AWG Double Crimp), Reel Packaged 5060301

Crimp Terminal 2482, 10-16 AWG, Reel 5121004

Crimp Terminal 2482, 10-16 AWG, Bag 5121005

Crimp Terminal 2482, 10-16 AWG, Reel 5121006

Crimp Terminal 2482, 10-16 AWG, Reel 5121008

Crimp Terminal 6482, 14-18 AWG, Reel 5121104

Flat Blade Appliance Motor Switch Crimp Housing, 10 Circuits 6021103

Flat Blade Appliance Water Valve Crimp Housing, 3 Circuit, Natural 6022030

Flat Blade Appliance Defrost Timer Crimp Housing, 4 Circuit, 4 Circuits 6023042

Flat Blade Appliance Motor Switch Crimp Housing, 10 Circuit, 10 Circuits 6023103

Flat Blade Appliance Dryer Motor Crimp Housing, 10 Circuit 6023104

KK Crimp Terminal, Series 1799, Female, with Tin (Sn) Plated Brass Contact, 18-24 AWG, Chain on Reel 8300109

KK 396 Crimp Terminal 8818, 18-22 AWG, Reel, Brass Tin (Sn) 8500008

KK 156 TERMINAL CRIMP 18-24 AWG TIN 8500015

KK 396 Crimp Terminal 8818, 18-22 AWG, Bag, Brass Tin (Sn) 8500023

KK 156 TERM CRP 18-20 AWG TRIFURCON TIN 8500024

KK 254 Cat Ear Crimp Terminal 4809, 22-30 AWG, Hot Tin Dip, 2.20mm 8500030

Insulation Crimp, Reel	
KK 254 Cat Ear Crimp Terminal 4809, 22-30 AWG, Hot Tin Dip, Reel	<u>8500031</u>
KK 254 Cat Ear Crimp Terminal 4809, 22-30 AWG, Hot Tin Dip, Bag	<u>8500032</u>
KK 396 Crimp Terminal 2478, 18-24 AWG, Reel, Brass Tin (Sn)	<u>8500105</u>
KK 396 Crimp Terminal 2478, 18-24 AWG, Bag, Brass Tin (Sn)	<u>8500106</u>
KK 396 Crimp Terminal 2578, 22-26 AWG, Reel, Brass, 2.540µm Tin (Sn)	<u>8500107</u>
KK 396 Crimp Terminal 2578, 22-26 AWG, Bag, Brass, 2.540µm Tin (Sn)	<u>8500108</u>
KK Crimp Terminal, Series 2477, Humpback, with Tin (Sn) Plated Brass Contact, 18-24 AWG, Reel	<u>8500109</u>
KK Crimp Terminal, Series 2477, Humpback, with Tin (Sn) Plated Brass Contact, 18-24 AWG, Loose	<u>8500110</u>
KK 396 Crimp Terminal 2578, 22-26 AWG, Reel, Brass, 7.6µm Tin (Sn)	<u>8500111</u>
KK 156 TERMINAL CRIMP 22-26 AWG TIN	<u>8500112</u>
KK 254 Crimp Terminal, 22-30 AWG, Hot Tin (Sn) Dip Plating	<u>8500113</u>
KK 254 Crimp Terminal, 22-30 AWG, Bag, Hot Tin (Sn) Dip Plating	<u>8500114</u>
3.96mm Pitch KK Crimp Terminal 2878, 18-20 AWG, Reel, Brass, Tin (Sn), Bifurcated	<u>8500115</u>
3.96mm Pitch KK Crimp Terminal 2878, 18-20 AWG, Bag, Brass, Tin (Sn), Bifurcated	<u>8500116</u>
KK 396 Crimp Terminal 2478, 18-24	<u>8500119</u>

AWG, Reel, Brass,  
 3.8µm Tin (Sn)  
 KK 396 Crimp 8500120  
 Terminal 2478, 18-24  
 AWG, Bag, Brass,  
 3.8µm Tin (Sn)  
 KK 396 Crimp 8500133  
 Terminal 2578,  
 22-26 AWG, Reel,  
 Phosphor Bronze,  
 2.540µm Tin (Sn)  
 KK 396 Crimp 8500134  
 Terminal 2578,  
 22-26 AWG, Bag,  
 Phosphor Bronze,  
 2.540µm Tin(Sn)  
 KK 254 Crimp 8500135  
 Terminal 4809, 22-30  
 AWG, Hot Tin Dip,  
 Reel  
 KK 254 Crimp 8500136  
 Terminal 4809, 22-30  
 AWG, Tin, Bag  
 KK 254 Crimp 8500159  
 Terminal, 22-30  
 AWG, Reel, Tin (Sn)  
 Plating, Nickel (Ni)  
 Under Plating  
 KK 254 Crimp 8500160  
 Terminal, 22-30  
 AWG, Bag, Tin (Sn)  
 Plating, Nickel (Ni)  
 Under Plating  
 KK Trifurcon Crimp 8500183  
 Terminal 7258, 22-26  
 AWG, Reel, Brass  
 Tin (Sn)  
 KK Trifurcon Crimp 8500185  
 Terminal 7258, 22-26  
 AWG, Bag, Brass Tin  
 (Sn)  
 KK Trifurcon Crimp 8500187  
 Terminal 6838, 18-20  
 AWG, Reel, Brass  
 Tin (Sn)  
 KK Trifurcon Crimp 8500189  
 Terminal 6838, 18-20  
 AWG, Bag, Brass Tin  
 (Sn)  
 KK 156 TERM 8500251  
 CRP 18-20 AWG  
 TRIFURCON TIN  
 KK 396 Crimp 8500281  
 Terminal 2478,  
 18-24 AWG, Reel,  
 Phosphor Bronze,  
 3.87µm Tin (Sn)  
 KK 156 TERM 8500283  
 CRP 22-26 AWG  
 TRIFURCON TIN  
 KK 100 Crp Term 8510101  
 Std 22-30 Awg Unplt  
 KK 254 Crimp 8510108  
 Terminal, 22-30  
 AWG, Reel, Tin (Sn),

Nickel (Ni) Under Plating	
KK 156 TERMINAL CRIMP 1820 AWG	<u>8510109</u>
KK 396 Crimp Terminal 2478, 18-24 AWG, Reel, Phosphor Bronze, Tin (Sn)	<u>8520071</u>
KK 396 Crimp Terminal 2478, 18-24 AWG, Bag, Phosphor Bronze, Tin (Sn)	<u>8520072</u>
KK 254 Crimp Terminal 6459, 22-30 AWG, Reel, Phosphor Bronze Tin (Sn)	<u>8520101</u>
KK Trifurcon Crimp Terminal 6838, 18-20 AWG, Reel, Phosphor Bronze Tin(Sn)	<u>8520112</u>
KK Trifurcon Crimp Terminal 6838, 18-20 AWG, Bag, Phosphor Bronze Tin (Sn)	<u>8520113</u>
KK .100 CRIMP TERMINAL 100MI MATTE TIN	<u>8520118</u>
KK 254 Crimp Terminal 6459, 22-30 AWG, Bag, Phosphor Bronze Tin (Sn)	<u>8520123</u>
KK Trifurcon Crimp Terminal 7258, 22-26 AWG, Reel, Phosphor Bronze Tin(Sn)	<u>8520124</u>
KK Trifurcon Crimp Terminal 7258, 22-26 AWG, Bag, Phosphor Bronze Tin (Sn)	<u>8520125</u>
3.96mm Pitch KK Crimp Terminal 2878, 18-20 AWG, Reel, Phosphor Bronze, Tin (Sn), Bifurcated	<u>8520126</u>
3.96mm Pitch KK Crimp Terminal 2878, 18-20 AWG, Bag, Phosphor Bronze, Tin (Sn), Bifurcated	<u>8520127</u>
KK 396 Crimp Terminal 8818, 18-22 AWG, Reel, Phosphor Bronze Tin (Sn)	<u>8520131</u>

KK 396 Crimp Terminal 8818, 18-22 AWG, Bag, Phosphor Bronze Tin (Sn)	<u>8520132</u>
KK 396 Crimp Terminal 2478, 18-24 AWG, Reel, Phosphor Bronze, 5.0µm Tin (Sn)	<u>8520811</u>
KK 396 Crimp Terminal 2478, 18-24 AWG, Bag, Phosphor Bronze, 5.0µm Tin (Sn)	<u>8520812</u>
KK 156 TERMINAL CRIMP 18-24 AWG	<u>8530811</u>
KK CRIMP TERM UNPLT LSE PB2478999L	<u>8530812</u>
KK 156 TERMINAL CRIMP 1820 AWG	<u>8530814</u>
KK 156 TERM CRP 18-20 AWG TRIFURCON	<u>8531101</u>
KK 254 Crimp Terminal, 22-30 AWG, Reel, Selective Gold (Au), Nickel (Ni) Under Plating	<u>8550101</u>
KK 254 Crimp Terminal, 22-30 AWG, Bag, Selective Gold (Au), Nickel (Ni) Under Plating	<u>8550102</u>
KK 396 Crimp Terminal 2478, 18-24 AWG, Reel, Brass, 0.38µm Selective Gold (Au)	<u>8550103</u>
KK 396 Crimp Terminal 2478, 18-24 AWG, Bag, Brass, 0.38µm Selective Gold (Au)	<u>8550104</u>
KK 396 Crimp Terminal 2578, 22-26 AWG, Reel, Brass, 0.38µm Selective Gold (Au)	<u>8550105</u>
KK 396 Crimp Terminal 2578, 22-26 AWG, Bag, Brass, 0.38µm Selective Gold(Au)	<u>8550106</u>
KK 254 Crimp Terminal 4809, 22-30 AWG, Selective Gold (Au), Reel	<u>8550110</u>
KK 254 Crimp Terminal 4809, 22-30 AWG, Selective Gold (Au), Bag	<u>8550111</u>

KK 254 Cat Ear Crimp Terminal 4809, 22-30 AWG, Selective Gold, Reel	<u>8550112</u>
KK 396 Crimp Terminal 2578, 22-26 AWG, Reel, Brass, 0.76µm Select Gold (Au) over Gold Flash	<u>8550123</u>
KK High Pressure Crimp Terminal 7879, 22-30 AWG, Reel Selective Gold (Au)	<u>8550124</u>
KK High Pressure Crimp Terminal 7879, 22-30 AWG, Bag Selective Gold (Au)	<u>8550129</u>
KK 254 Crimp Terminal, 22-30 AWG, Reel, Selective Gold (Au), Nickel (Ni) Under Plating	<u>8550130</u>
KK 254 Crimp Terminal, 22-30 AWG, Bag, Selective Gold (Au), Nickel (Ni) Under Plating	<u>8550131</u>
KK 396 Crimp Terminal 2478, 18-24 AWG, Reel, Brass, 0.76µm Gold (Au)	<u>8550133</u>
KK 396 Crimp Terminal 2478, 18-24 AWG, Bag, Brass, 0.76µm Gold (Au)	<u>8550134</u>
KK 396 Crimp Terminal 2578, 22-26 AWG, Left Payoff Reel, Brass, 0.76µm Select Gold (Au) over Gold Flash	<u>8550137</u>
KK 156 TERMINAL CRIMP 1820 AWG GOLD	<u>8550138</u>
KK 396 Crimp Terminal 2478, 18-24 AWG, Reel, Brass, 0.51µm Selective Gold (Au)	<u>8560105</u>
KK 396 Crimp Terminal 2478, 18-24 AWG, Bag, Brass, 0.51µm Selective Gold (Au)	<u>8560106</u>
KK 396 Crimp Terminal 2578, 22-26 AWG, Reel, Brass, 0.51µm Select Gold (Au) over Gold Flash	<u>8560107</u>
KK 396 Crimp Terminal 2578, 22-26 AWG, Bag, Brass,	<u>8560108</u>

0.51µm Select Gold  
 (Au) over Gold Flash  
 KK 254 Crimp 8560109  
 Terminal, 22-30  
 AWG, Reel, Gold  
 (Au), Nickel (Ni)  
 Under Plating  
 KK 254 Crimp 8560110  
 Terminal, 22-30  
 AWG, Bag, Gold  
 (Au), Nickel (Ni)  
 Under Plating  
 KK Crimp Terminal, 8560113  
 Series 2477,  
 Humpback, with  
 Overall Gold (Au)  
 Plated Brass  
 Contact, 18-24 AWG,  
 Reel  
 KK Crimp Terminal, 8560114  
 Series 2477,  
 Humpback, with  
 Overall Gold (Au)  
 Plated Brass  
 Contact, 18-24 AWG,  
 Loose  
 KK 254 Crimp 8560115  
 Terminal 4809, 22-30  
 AWG, Selective Gold  
 (Au), Bag  
 KK 254 Crimp 8560120  
 Terminal 4809, 22-30  
 AWG, Selective Gold  
 (Au), Reel  
 KK Trifurcon Crimp 8560123  
 Terminal 7258,  
 22-26 AWG, Reel,  
 Phosphor Bronze  
 Gold (Au)  
 KK Trifurcon Crimp 8560124  
 Terminal 7258,  
 22-26 AWG, Bag,  
 Phosphor Bronze  
 Gold(Au)  
 KK 156 TERMINAL 8580103  
 CRIMP 18-24 AWG  
 GOLD  
 KK 156 TERMINAL 8580104  
 CRIMP 18-24 AWG  
 GOLD  
 KK 156 TERM 8580105  
 CRP 18-20 AWG  
 TRIFURCON GOLD  
 KK 156 TERM 8580106  
 CRP 18-20 AWG  
 TRIFURCON GOLD  
 KK Trifurcon Crimp 8580110  
 Terminal 6438,  
 18-20 AWG, Reel,  
 Phosphor Bronze  
 Selective Gold (Au)  
 KK Trifurcon Crimp 8580111  
 Terminal 6438,  
 18-20 AWG, Bag,

Phosphor Bronze Selective Gold (Au) KK 396 Crimp Terminal 2478, 18-24 AWG, Reel, Phosphor Bronze, 0.76µm Gold (Au)	<u>8580114</u>
KK 396 Crimp Terminal 2478, 18-24 AWG, Bag, Phosphor Bronze, 0.76µm Gold (Au)	<u>8580115</u>
KK 156 TERM CRP 18-20 AWG TRIFURCON GOLD	<u>8580118</u>
KK 396 Crimp Terminal 2478, 18-24 AWG, Reel, Phosphor Bronze, 0.51µm Selective Gold (Au)	<u>8580121</u>
KK 396 Crimp Terminal 2478, 18-24 AWG, Bag, Phosphor Bronze, 0.51µm Selective Gold (Au)	<u>8580122</u>
KK 396 Crimp Terminal 2578, 22-26 AWG, Reel, Phosphor Bronze, 0.51µm Selective Gold (Au)	<u>8580125</u>
KK 396 Crimp Terminal 2578, 22-26 AWG, Bag, Phosphor Bronze, 0.51µm Selective Gold (Au)	<u>8580126</u>
3.96mm Pitch KK Crimp Terminal 2878, 18-20 AWG, Reel, Phosphor Bronze, 0.51µm Selective Gold (Au), Bifurcated	<u>8580127</u>
3.96mm Pitch KK Crimp Terminal 2878, 18-20 AWG, Bag, Phosphor Bronze, 0.51µm Selective Gold (Au), Bifurcated	<u>8580128</u>
KK 396 Crimp Terminal 8818, 18-22 AWG, Reel, Phosphor Bronze Selective Gold (Au)	<u>8580135</u>
KK 396 Crimp Terminal 8818, 18-22 AWG, Bag, Phosphor Bronze Selective Gold (Au)	<u>8580136</u>
KK Trifurcon Crimp Terminal 6438,	<u>8580187</u>

18-20 AWG, Reel, Phosphor Bronze Gold (Au)	
KK Trifurcon Crimp Terminal 6438, 18-20 AWG, Bag, Phosphor Bronze Gold(Au)	<u>8580189</u>
KK 396 Crimp Terminal 2578, 22-26 AWG, Reel, Phosphor Bronze, 3.810µm Tin (Sn)	<u>8600003</u>
KK 396 Crimp Terminal 2578, 22-26 AWG, Bag, Phosphor Bronze, 3.810µm Tin (Sn)	<u>8600004</u>
KK 254 Crimp Terminal 8088, 22-30 AWG, Gold/Nickel, Reel	<u>8650105</u>
KK 396 Crimp Terminal 2578, 22-26 AWG, Reel, Phosphor Bronze, 0.76µm Select Gold (Au) over Gold Flash	<u>8650110</u>
KK 396 Crimp Terminal 2478, 18-24 AWG, Reel, Phosphor Bronze, 0.38µm Selective Gold (Au)	<u>8650114</u>
KK 396 Crimp Terminal 2478, 18-24 AWG, Bag, Phosphor Bronze, 0.38µm Selective Gold (Au)	<u>8650115</u>
KK 396 Crimp Terminal 2578, 22-26 AWG, Reel, Phosphor Bronze, 0.38µm Selective Gold (Au)	<u>8650116</u>
KK 396 Crimp Terminal 2578, 22-26 AWG, Bag, Phosphor Bronze, 0.38µm Selective Gold (Au)	<u>8650117</u>
3.96mm Pitch KK Crimp Terminal 2878, 18-20 AWG, Reel, Phosphor Bronze, 0.38µm Selective Gold (Au), Bifurcated	<u>8650118</u>
3.96mm Pitch KK Crimp Terminal 2878, 18-20 AWG, Bag, Phosphor Bronze, 0.38µm	<u>8650119</u>

Selective Gold (Au), Bifurcated	
KK Trifurcon Crimp	<u>8650121</u>
Terminal 7258, 22-26 AWG, Reel, Phosphor Bronze	
Selective Gold (Au)	
KK Trifurcon Crimp	<u>8650122</u>
Terminal 7258, 22-26 AWG, Bag, Phosphor Bronze	
Selective Gold (Au)	
KK 396 Crimp	<u>8650128</u>
Terminal 8818, 18-22 AWG, Reel, Phosphor Bronze	
Selective Gold (Au)	
KK 396 Crimp	<u>8650129</u>
Terminal 8818, 18-22 AWG, Bag, Phosphor Bronze	
Selective Gold (Au)	
KK 100 Crp Term	<u>8650801</u>
Std 22-30 Awg SGold	
KK 254 Cat Ear	<u>8650804</u>
Crimp Terminal 41572, Reel Tin (Sn)	
KK 254 Cat Ear	<u>8650805</u>
Crimp Terminal 41572, Bag Tin (Sn)	
KK 100 Crp Term	<u>8650811</u>
Std 22-30 Awg SGold	
KK 100 Crp Term	<u>8650812</u>
Std 22-30 Awg SGold	
KK 254 Crimp	<u>8650813</u>
Terminal 6459, 22-30 AWG, Reel, Phosphor Bronze	
Gold (Au)	
KK 254 Crimp	<u>8650814</u>
Terminal 6459, 22-30 AWG, Bag, Phosphor Bronze	
Gold (Au)	
KK 254 Crimp	<u>8650815</u>
Terminal 6459, 22-30 AWG, Reel, Phosphor Bronze	
Selective Gold (Au)	
KK 254 Crimp	<u>8650816</u>
Terminal 6459, 22-30 AWG, Bag, Phosphor Bronze	
Selective Gold (Au)	
KK 100 Crp Term	<u>8650817</u>
Std 22-30 Awg SGold	
4.80mm Pitch Crimp	<u>8700001</u>
Terminal, Female, Reel	
4.80mm Pitch Crimp	<u>8700002</u>
Terminal, Male, Reel	

3.96 and 5.08mm Pitch KK Cat Ear Crimp Terminal, Female, 18-24 AWG, Reel	<u>8700012</u>
KK Cat Ear Crimp Terminal 5159, 22-28 AWG, Reel, Phosphor Bronze, Tin (Sn) Plating	<u>8700048</u>
KK Cat Ear Crimp Terminal 5159, 22-28 AWG, Bag, Phosphor Bronze, Tin (Sn) Plating	<u>8700049</u>
SPOX Crimp Terminal 5103, 22-28 AWG, Reel, Brass (CuZn), Chain Type	<u>8700056</u>
SPOX Crimp Terminal 5103, 22-28 AWG, Reel, Phosphor Bronze (CuSn), Chain Type	<u>8700058</u>
KK Cat Ear Crimp Terminal 5159, 22-28 AWG, Reel, Brass, Tin (Sn) over Copper Plating	<u>8700064</u>
KK Cat Ear Crimp Terminal 5159, 22-28 AWG, Bag, Brass, Tin (Sn) over Copper Plating	<u>8700069</u>
2.50mm Pitch Mini-Latch Crimp Terminal, Male, Brass, Reel	<u>8700102</u>
2.50mm Pitch Mini-Latch Crimp Terminal, Male, Brass, Bag	<u>8700103</u>
Board-in Crimp Terminal , Series 5298, Male, with Tin Insulation Diameter, Reel Packaged	<u>8700106</u>
.062DIA CRIMP REC.	<u>8701011</u>
.062DIA CRIMP PIN	<u>8701013</u>
SPOX Crimp Terminal, 18-24 AWG, Brass, Bag	<u>8701030</u>
SPOX Crimp Terminal, 18-24 AWG, Brass, Reel	<u>8701031</u>
2.50mm Pitch, Mini-SPOX Female Crimp Terminal, 22-28 AWG, Reel	<u>8701039</u>
2.50mm Pitch Mini-SPOX Crimp Terminal, 22-28 AWG, Bag	<u>8701040</u>

2.5 Low Profile 8701047  
Crimp Rec Chain W/  
Plt  
3.96mm Pitch KK 9011036  
Crimp Housing, Edge  
Card Connector,  
Single-Sided,  
Polarized, Positive  
Lock, with Probe  
Hole, 3 Circuits  
.156 IDT ASSEMBLY9072031  
724103L  
KK 396 PC Board 9481024  
Connector, Right  
Angle, Polyester  
Connector, 5.00µm  
Tin (Sn), 2 Circuits  
KK 396 PC Board 9481034  
Connector, Right  
Angle, Polyester  
Connector, 5.00µm  
Tin (Sn), 3 Circuits  
KK 396 PC Board 9481044  
Connector, Right  
Angle, Polyester  
Connector, 5.00µm  
Tin (Sn), 4 Circuits  
KK 396 PC Board 9481054  
Connector, Right  
Angle, Polyester  
Connector, 5.00µm  
Tin (Sn), 5 Circuits  
KK 396 PC Board 9481064  
Connector, Right  
Angle, Polyester  
Connector, 5.00µm  
Tin (Sn), 6 Circuits  
KK 396 PC Board 9481074  
Connector, Right  
Angle, Polyester  
Connector, 5.00µm  
Tin (Sn), 7 Circuits  
KK 396 PC Board 9481084  
Connector, Right  
Angle, Polyester  
Connector, 5.00µm  
Tin (Sn), 8 Circuits  
KK 396 PC Board 9481094  
Connector, Right  
Angle, Polyester  
Connector, 5.00µm  
Tin (Sn), 9 Circuits  
KK 396 PC Board 9481104  
Connector, Right  
Angle, Polyester  
Connector, 5.00µm  
Tin (Sn), 10 Circuits  
KK 396 PC Board 9481105  
Connector, Top  
Entry, Polyester  
Connector, Gold (Au)  
Selective, 10 Circuits  
KK 396 PC Board 9481114  
Connector, Right  
Angle, Polyester

Connector, 5.00µm  
Tin (Sn), 11 Circuits  
KK 396 PC Board 9481124  
Connector, Right  
Angle, Polyester  
Connector, 5.00µm  
Tin (Sn), 12 Circuits  
KK 396 PC Board 9481134  
Connector, Right  
Angle, Polyester  
Connector, 5.00µm  
Tin (Sn), 13 Circuits  
KK 396 PC Board 9481144  
Connector, Right  
Angle, Polyester  
Connector, 5.00µm  
Tin (Sn), 14 Circuits  
KK 396 PC Board 9481154  
Connector, Right  
Angle, Polyester  
Connector, 5.00µm  
Tin (Sn), 15 Circuits  
KK 396 PC Board 9483024  
Connector, Bottom  
Entry, Polyester  
Connector, Gold (Au)  
Selective, 2 Circuits  
KK 396 PC Board 9483025  
Connector, Right  
Angle, Polyester  
Connector, Gold (Au)  
Selective, 2 Circuits  
KK 396 PC Board 9483026  
Connector, Top  
Entry, Polyester  
Connector, Gold (Au)  
Selective, 2 Circuits  
KK 396 PC Board 9483034  
Connector, Bottom  
Entry, Polyester  
Connector, Gold (Au)  
Selective, 3 Circuits  
KK 396 PC Board 9483035  
Connector, Right  
Angle, Polyester  
Connector, Gold (Au)  
Selective, 3 Circuits  
KK 396 PC Board 9483036  
Connector, Top  
Entry, Polyester  
Connector, Gold (Au)  
Selective, 3 Circuits  
KK 396 PC Board 9483044  
Connector, Bottom  
Entry, Polyester  
Connector, Gold (Au)  
Selective, 4 Circuits  
KK 396 PC Board 9483045  
Connector, Right-  
Angle, Polyester  
Connector, Gold (Au)  
Selective, 4 Circuits  
KK 396 PC Board 9483046  
Connector, Top  
Entry, Polyester

Connector, Gold (Au)  
Selective, 4 Circuits  
KK 396 PC Board 9483054  
Connector, Bottom  
Entry, Polyester  
Connector, Gold (Au)  
Selective, 5 Circuits  
KK 396 PC Board 9483055  
Connector, Right-  
Angle, Polyester  
Connector, Gold (Au)  
Selective, 5 Circuits  
KK 396 PC Board 9483056  
Connector, Top  
Entry, Polyester  
Connector, Gold (Au)  
Selective, 5 Circuits  
KK 396 PC Board 9483064  
Connector, Bottom  
Entry, Polyester  
Connector, Gold (Au)  
Selective, 6 Circuits  
KK 396 PC Board 9483065  
Connector, Right-  
Angle, Polyester  
Connector, Gold (Au)  
Selective, 6 Circuits  
KK 396 PC Board 9483066  
Connector, Top  
Entry, Polyester  
Connector, Gold (Au)  
Selective, 6 Circuits  
KK 396 PC Board 9483074  
Connector, Bottom  
Entry, Polyester  
Connector, Gold (Au)  
Selective, 7 Circuits  
KK 396 PC Board 9483075  
Connector, Right-  
Angle, Polyester  
Connector, Gold (Au)  
Selective, 7 Circuits  
KK 396 PC Board 9483076  
Connector, Top  
Entry, Polyester  
Connector, Gold (Au)  
Selective, 7 Circuits  
KK 396 PC Board 9483084  
Connector, Bottom  
Entry, Polyester  
Connector, Gold (Au)  
Selective, 8 Circuits  
KK 396 PC Board 9483085  
Connector, Right-  
Angle, Polyester  
Connector, Gold (Au)  
Selective, 8 Circuits  
KK 396 PC Board 9483086  
Connector, Top  
Entry, Polyester  
Connector, Gold (Au)  
Selective, 8 Circuits  
KK 396 PC Board 9483094  
Connector, Bottom  
Entry, Polyester

Connector, Gold (Au)  
Selective, 9 Circuits  
KK 396 PC Board 9483095  
Connector, Right-  
Angle, Polyester  
Connector, Gold (Au)  
Selective, 9 Circuits  
KK 396 PC Board 9483096  
Connector, Top  
Entry, Polyester  
Connector, Gold (Au)  
Selective, 9 Circuits  
KK 396 PC Board 9483104  
Connector, Bottom  
Entry, Polyester  
Connector, Gold (Au)  
Selective, 10 Circuits  
KK 396 PC Board 9483105  
Connector, Right-  
Angle, Polyester  
Connector, Gold (Au)  
Selective, 10 Circuits  
KK 396 PC Board 9483106  
Connector, Top  
Entry, Polyester  
Connector, Gold (Au)  
Selective, 10 Circuits  
KK 396 PC Board 9483114  
Connector, Bottom  
Entry, Polyester  
Connector, Gold (Au)  
Selective, 11 Circuits  
KK 396 PC Board 9483115  
Connector, Right-  
Angle, Polyester  
Connector, Gold (Au)  
Selective, 11 Circuits  
KK 396 PC Board 9483116  
Connector, Top  
Entry, Polyester  
Connector, Gold (Au)  
Selective, 11 Circuits  
KK 396 PC Board 9483124  
Connector, Bottom  
Entry, Polyester  
Connector, Gold (Au)  
Selective, 12 Circuits  
KK 396 PC Board 9483125  
Connector, Right-  
Angle, Polyester  
Connector, Gold (Au)  
Selective, 12 Circuits  
KK 396 PC Board 9483126  
Connector, Top  
Entry, Polyester  
Connector, Gold (Au)  
Selective, 12 Circuits  
KK 396 PC Board 9483134  
Connector, Bottom  
Entry, Polyester  
Connector, Gold (Au)  
Selective, 13 Circuits  
KK 396 PC Board 9483135  
Connector, Right-  
Angle, Polyester

Connector, Gold (Au)  
Selective, 13 Circuits  
KK 396 PC Board 9483136  
Connector, Top  
Entry, Polyester  
Connector, Gold (Au)  
Selective, 13 Circuits  
KK 396 PC Board 9483144  
Connector, Bottom  
Entry, Polyester  
Connector, Gold (Au)  
Selective, 14 Circuits  
KK 396 PC Board 9483145  
Connector, Right-  
Angle, Polyester  
Connector, Gold (Au)  
Selective, 14 Circuits  
KK 396 PC Board 9483146  
Connector, Top  
Entry, Polyester  
Connector, Gold (Au)  
Selective, 14 Circuits  
KK 396 PC Board 9483154  
Connector, Bottom  
Entry, Polyester  
Connector, Gold (Au)  
Selective, 15 Circuits  
KK 396 PC Board 9483155  
Connector, Right-  
Angle, Polyester  
Connector, Gold (Au)  
Selective, 15 Circuits  
KK 396 PC Board 9483156  
Connector, Top  
Entry, Polyester  
Connector, Gold (Au)  
Selective, 15 Circuits  
KK 396 PC Board 9484028  
Connector, Top  
Entry, Polyester  
Connector, 5.00µm  
Tin (Sn), 2 Circuits  
KK 396 PC Board 9484029  
Connector, Bottom  
Entry, Polyester  
Connector, 5.00µm  
Tin (Sn), 2 Circuits  
KK 396 PC Board 9484038  
Connector, Top  
Entry, Polyester  
Connector, 5.00µm  
Tin (Sn), 3 Circuits  
KK 396 PC Board 9484039  
Connector, Bottom  
Entry, Polyester  
Connector, 5.00µm  
Tin (Sn), 3 Circuits  
KK 396 PC Board 9484048  
Connector, Top  
Entry, Polyester  
Connector, 5.00µm  
Tin (Sn), 4 Circuits  
KK 396 PC Board 9484049  
Connector, Bottom  
Entry, Polyester

Connector, 5.00µm  
Tin (Sn), 4 Circuits  
KK 396 PC Board 9484058  
Connector, Top  
Entry, Polyester  
Connector, 5.00µm  
Tin (Sn), 5 Circuits  
KK 396 PC Board 9484059  
Connector, Bottom  
Entry, Polyester  
Connector, 5.00µm  
Tin (Sn), 5 Circuits  
KK 396 PC Board 9484068  
Connector, Top  
Entry, Polyester  
Connector, 5.00µm  
Tin (Sn), 6 Circuits  
KK 396 PC Board 9484069  
Connector, Bottom  
Entry, Polyester  
Connector, 5.00µm  
Tin (Sn), 6 Circuits  
KK 396 PC Board 9484078  
Connector, Top  
Entry, Polyester  
Connector, 5.00µm  
Tin (Sn), 7 Circuits  
KK 396 PC Board 9484079  
Connector, Bottom  
Entry, Polyester  
Connector, 5.00µm  
Tin (Sn), 7 Circuits  
KK 396 PC Board 9484088  
Connector, Top  
Entry, Polyester  
Connector, 5.00µm  
Tin (Sn), 8 Circuits  
KK 396 PC Board 9484089  
Connector, Bottom  
Entry, Polyester  
Connector, 5.00µm  
Tin (Sn), 8 Circuits  
KK 396 PC Board 9484098  
Connector, Top  
Entry, Polyester  
Connector, 5.00µm  
Tin (Sn), 9 Circuits  
KK 396 PC Board 9484099  
Connector, Bottom  
Entry, Polyester  
Connector, 5.00µm  
Tin (Sn), 9 Circuits  
KK 396 PC Board 9484108  
Connector, Top  
Entry, Polyester  
Connector, 5.00µm  
Tin (Sn), 10 Circuits  
KK 396 PC Board 9484109  
Connector, Bottom  
Entry, Polyester  
Connector, 5.00µm  
Tin (Sn), 10 Circuits  
KK 396 PC Board 9484118  
Connector, Top  
Entry, Polyester

Connector, 5.00µm  
Tin (Sn), 11 Circuits  
KK 396 PC Board 9484119  
Connector, Bottom  
Entry, Polyester  
Connector, 5.00µm  
Tin (Sn), 11 Circuits  
KK 396 PC Board 9484128  
Connector, Top  
Entry, Polyester  
Connector, 5.00µm  
Tin (Sn), 12 Circuits  
KK 396 PC Board 9484129  
Connector, Bottom  
Entry, Polyester  
Connector, 5.00µm  
Tin (Sn), 12 Circuits  
KK 396 PC Board 9484138  
Connector, Top  
Entry, Polyester  
Connector, 5.00µm  
Tin (Sn), 13 Circuits  
KK 396 PC Board 9484139  
Connector, Bottom  
Entry, Polyester  
Connector, 5.00µm  
Tin (Sn), 13 Circuits  
KK 396 PC Board 9484148  
Connector, Top  
Entry, Polyester  
Connector, 5.00µm  
Tin (Sn), 14 Circuits  
KK 396 PC Board 9484149  
Connector, Bottom  
Entry, Polyester  
Connector, 5.00µm  
Tin (Sn), 14 Circuits  
KK 396 PC Board 9484158  
Connector, Top  
Entry, Polyester  
Connector, 5.00µm  
Tin (Sn), 15 Circuits  
KK 396 PC Board 9484159  
Connector, Bottom  
Entry, Polyester  
Connector, 5.00µm  
Tin (Sn), 15 Circuits  
KK 156 PC Board 9485088  
Connector, Top  
Entry, Polyester  
Connector, Tin (Sn),  
8 Circuits  
3.96mm Pitch SPOX 9501021  
Crimp Housing,  
Female, with Friction  
Ramp, 2 Circuits,  
Natural  
3.96mm Pitch SPOX 9501023  
Crimp Housing,  
Female, with Friction  
Ramp and Void, 2  
Circuits, Natural  
3.96mm Pitch SPOX 9501031  
Crimp Housing,  
Female, with Friction

Ramp, 3 Circuits,  
Natural  
3.96mm Pitch SPOX [9501033](#)  
Crimp Housing,  
Female, with Friction  
Ramp and Void, 3  
Circuits, Natural  
3.96mm Pitch SPOX [9501041](#)  
Crimp Housing,  
Female, with Friction  
Ramp, 4 Circuits,  
Natural  
3.96mm Pitch SPOX [9501043](#)  
Crimp Housing,  
Female, with Friction  
Ramp and Void, 4  
Circuits, Natural  
3.96mm Pitch SPOX [9501051](#)  
Crimp Housing,  
Female, with Friction  
Ramp, 5 Circuits,  
Natural  
3.96mm Pitch SPOX [9501053](#)  
Crimp Housing,  
Female, with Friction  
Ramp and Void, 5  
Circuits, Natural  
3.96mm Pitch SPOX [9501061](#)  
Crimp Housing,  
Female, with Friction  
Ramp, 6 Circuits,  
Natural  
3.96mm Pitch SPOX [9501063](#)  
Crimp Housing,  
Female, with Friction  
Ramp and Void, 6  
Circuits, Natural  
3.96mm Pitch SPOX [9501071](#)  
Crimp Housing,  
Female, with Friction  
Ramp, 7 Circuits,  
Natural  
3.96mm Pitch SPOX [9501073](#)  
Crimp Housing,  
Female, with Friction  
Ramp and Void, 7  
Circuits, Natural  
3.96mm Pitch SPOX [9501081](#)  
Crimp Housing,  
Female, with Friction  
Ramp, 8 Circuits,  
Natural  
3.96mm Pitch SPOX [9501083](#)  
Crimp Housing,  
Female, with Friction  
Ramp and Void, 8  
Circuits, Natural  
3.96mm Pitch SPOX [9501091](#)  
Crimp Housing,  
Female, with Friction  
Ramp, 9 Circuits,  
Natural  
3.96mm Pitch SPOX [9501101](#)  
Crimp Housing,  
Female, with Friction

Ramp, 10 Circuits,  
Natural  
3.96mm Pitch SPOX [9501103](#)  
Crimp Housing,  
Female, with Friction  
Ramp and Void, 10  
Circuits, Natural  
3.96mm Pitch SPOX [9501111](#)  
Crimp Housing,  
Female, with Friction  
Ramp, 11 Circuits,  
Natural  
3.96mm Pitch SPOX [9501113](#)  
Crimp Housing,  
Female, with Friction  
Ramp and Void, 11  
Circuits, Natural  
3.96mm Pitch SPOX [9501121](#)  
Crimp Housing,  
Female, with Friction  
Ramp, 12 Circuits,  
Natural  
KK 3.96mm Crimp [9503021](#)  
Terminal Housing,  
Friction Ramp, 2  
Circuits, Natural  
KK 3.96mm Crimp [9503031](#)  
Terminal Housing,  
Friction Ramp, 3  
Circuits, Natural  
KK 3.96mm Crimp [9503041](#)  
Terminal Housing,  
Friction Ramp, 4  
Circuits, Natural  
KK 3.96mm Crimp [9503051](#)  
Terminal Housing,  
Friction Ramp, 5  
Circuits, Natural  
KK 3.96mm Crimp [9503061](#)  
Terminal Housing,  
Friction Ramp, 6  
Circuits, Natural  
KK 3.96mm Crimp [9503071](#)  
Terminal Housing,  
Friction Ramp, 7  
Circuits, Natural  
KK 3.96mm Crimp [9503081](#)  
Terminal Housing,  
Friction Ramp, 8  
Circuits, Natural  
KK 3.96mm Crimp [9503091](#)  
Terminal Housing,  
Friction Ramp, 9  
Circuits, Natural  
KK 3.96mm Crimp [9503101](#)  
Terminal Housing,  
Friction Ramp, 10  
Circuits, Natural  
KK 3.96mm Crimp [9503111](#)  
Terminal Housing,  
Friction Ramp, 11  
Circuits, Natural  
KK 3.96mm Crimp [9503121](#)  
Terminal Housing,

Friction Ramp, 12 Circuits, Natural KK 3.96mm Crimp Terminal Housing,	<u>9503131</u>
Friction Ramp, 13 Circuits, Natural KK 3.96mm Crimp Terminal Housing,	<u>9503141</u>
Friction Ramp, 14 Circuits, Natural KK 3.96mm Crimp Terminal Housing,	<u>9503151</u>
Friction Ramp, 15 Circuits, Natural KK 3.96mm Crimp Terminal Housing,	<u>9503161</u>
Friction Ramp, 16 Circuits, Natural	

This document was generated on 03/10/2020

**PLEASE CHECK [WWW.MOLEX.COM](http://WWW.MOLEX.COM) FOR LATEST PART INFORMATION**