

PLEASE CHECK WWW.MOLEX.COM FOR LATEST PART INFORMATION

Part Number: [63824-4000](#)
Status: **Active**
Description: Unlocking Tool for CMX Receptacle Crimp Terminal

Documents:
[RoHS Certificate of Compliance \(PDF\)](#)

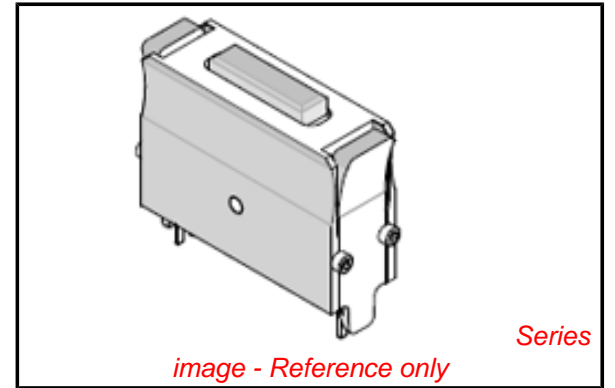
General

Product Family	Application Tooling
Series	T9999
Function	Locking/Unlocking
Geographic Area	Global
Level of Automation	Manual
More Detailed Tech Information	applicationtooling@molex.com
Product Name	CMX
Survey	www.molex.com//review/apptool_survey.html
Tool Type	Handtool
UPC	887191581644

Material Info

Reference - Drawing Numbers

Application Tooling Documents	ATS-638244000
-------------------------------	---------------



EU RoHS

**ELV and RoHS
Compliant**

REACH SVHC

Not Reviewed

Low-Halogen Status

Not Reviewed

China RoHS



**Need more information on product
environmental compliance?**

Email productcompliance@molex.com
 For a multiple part number RoHS Certificate of
 Compliance, [click here](#)

Please visit the [Contact Us](#) section for any
 non-product compliance questions.

Search Parts in this Series

[T9999Series](#)

Use With

[34854](#) CMX Receptacle Connectors