

PLEASE CHECK WWW.MOLEX.COM FOR LATEST PART INFORMATION

Part Number: [63802-7500](#)
Status: **Active**
Description: Rear Feed Mini-Mac™ Applicator for Flag Quick Disconnect Female Terminals, 18-22 AWG Wire

Documents:
[RoHS Certificate of Compliance \(PDF\)](#)

General

Product Family	Application Tooling
Series	T9999
Comments	See Tooling Specification (PDF) Above
Function	Crimp
Geographic Area	Global
Level of Automation	Automatic, Semi-Automatic
More Detailed Tech Information	applicationtooling@molex.com
Product Name	Mini-Mac™
Survey	www.molex.com//review/apptool_survey.html
Tool Type	Applicator
UPC	883906944599

Physical

Net Weight 3455.359/g

Material Info

Reference - Drawing Numbers

Application Tooling Documents [ATS-638027500](#), [TM-638000100](#), [TM-638000100SP](#)

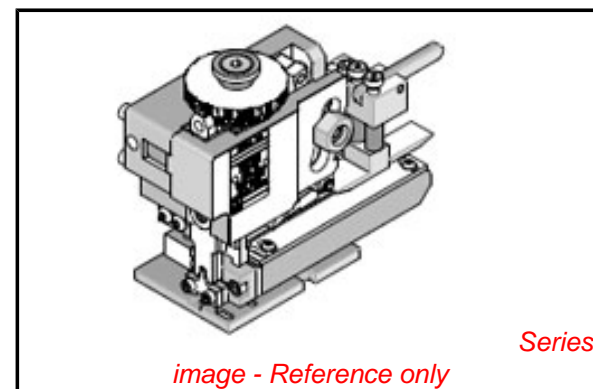


image - Reference only

EU RoHS

**ELV and RoHS
Compliant**

REACH SVHC

Not Reviewed

Low-Halogen Status

Not Reviewed

China RoHS



Need more information on product environmental compliance?

Email productcompliance@molex.com
 For a multiple part number RoHS Certificate of Compliance, [click here](#)

Please visit the [Contact Us](#) section for any non-product compliance questions.

Search Parts in this Series

[T9999Series](#)

Use With

[Flag Krimptite™ Quick Disconnect 19008](#)

Application Tooling | FAQ

Description	Product #
Flag Krimptite™ Quick Disconnect, Female, for 18-22 (0.80-0.35mm ²) Wire, Metal Strip, Tab 4.75 x 0.51mm	0190080008
Flag Krimptite™ Quick Disconnect, Female, for 18-22 (0.80-0.35mm ²) Wire, Metal Strip, Tab 4.75 x 0.81mm	0190080009
Flag Krimptite™ Quick Disconnect, Female, for 18-22 (0.80-0.35mm ²) Wire,	0190080013

This document was generated on 04/25/2013

PLEASE CHECK WWW.MOLEX.COM FOR LATEST PART INFORMATION