

PLEASE CHECK WWW.MOLEX.COM FOR LATEST PART INFORMATION

Part Number: [63801-8903](#)
Status: **Active**
Description: Crimp Adapter for 22mm wide U-Dies in Molex 63801-8900 Pneumatic Crimp Machine

Documents:

[RoHS Certificate of Compliance \(PDF\)](#)

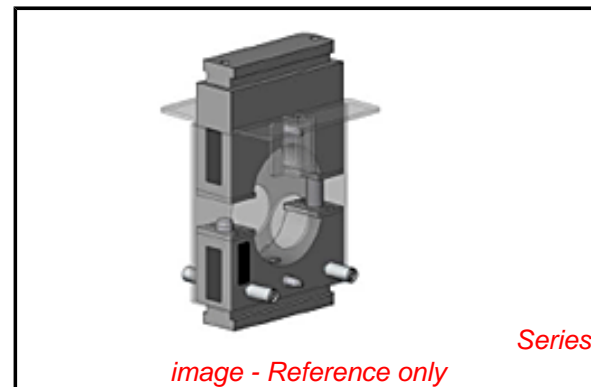
General

Product Family	Application Tooling
Series	T9999
Comments	See Tooling Specification (PDF) Above
Function	Crimp
Geographic Area	Global
Level of Automation	Manual
More Detailed Tech Information	applicationtooling@molex.com
Product Name	N/A
Survey	www.molex.com//review/apptool_survey.html
Tool Type	Adapter Kit
UPC	887191430508

Material Info

Reference - Drawing Numbers

Application Tooling Documents	ATS-638018903
-------------------------------	---------------



EU RoHS **China RoHS**

Compliance Status

Not Reviewed

REACH SVHC

Not Reviewed

Low-Halogen Status

Not Reviewed

Need more information on product environmental compliance?

Email productcompliance@molex.com
 For a multiple part number RoHS Certificate of Compliance, [click here](#)

Please visit the [Contact Us](#) section for any non-product compliance questions.

Search Parts in this Series

[T9999Series](#)

Use With

Crimp Adapter was created for use with the 22mm wide U-dies when used with the Universal Pneumatic Crimp Machine UP 60 63801-8900