

PLEASE CHECK WWW.MOLEX.COM FOR LATEST PART INFORMATION

Part Number: [63801-8901](#)
Status: **Active**
Description: Crimp Adapter For DIN style dies In Molex 63801-8900 Pneumatic Crimp Machine

Documents:

[RoHS Certificate of Compliance \(PDF\)](#)

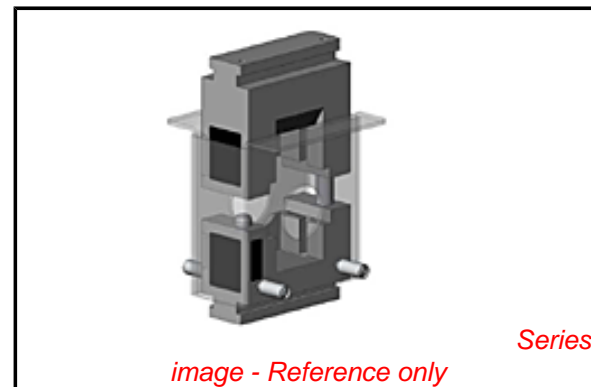
General

Product Family	Application Tooling
Series	T9999
Comments	See Tooling Specification (PDF) Above
Function	Crimp
Geographic Area	Global
Level of Automation	Manual
More Detailed Tech Information	applicationtooling@molex.com
Product Name	N/A
Survey	www.molex.com//review/apptool_survey.html
Tool Type	Adapter Kit
UPC	887191430485

Material Info

Reference - Drawing Numbers

Application Tooling Documents	ATS-638018901
-------------------------------	---------------



EU RoHS

China RoHS

Compliance Status

Not Reviewed

REACH SVHC

Not Reviewed

Low-Halogen Status

Not Reviewed

Need more information on product environmental compliance?

Email productcompliance@molex.com
 For a multiple part number RoHS Certificate of Compliance, [click here](#)

Please visit the [Contact Us](#) section for any non-product compliance questions.

Search Parts in this Series

T9999Series

Use With

Crimp Adapter was created for use with the DIN style square crimp dies when used with the Universal Pneumatic Crimp Machine UP 60. [63801- 8900](#)