

PLEASE CHECK WWW.MOLEX.COM FOR LATEST PART INFORMATION

Part Number: [63801-8550](#)
Status: **Active**
Description: FFC 2 thru 20 Circuit Termination Kit for use in the Molex TM-3000 or TM-4000 press installed into the TM-42 Replacement Crimp Module

Documents:
[RoHS Certificate of Compliance \(PDF\)](#)

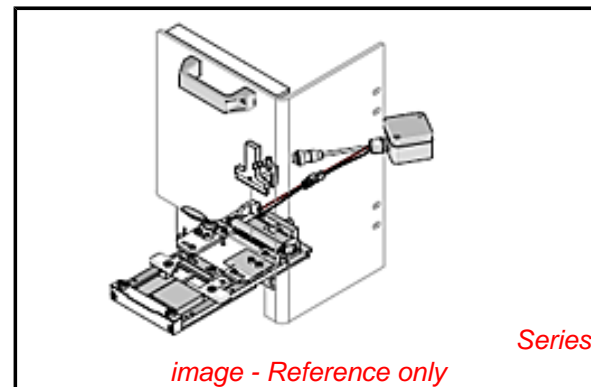
General

Product Family	Application Tooling
Series	T1202
Comments	The 63801-8550 is the FFC tool kit that is required to be installed into the 63801-8500 TM-42 replacement crimp module that is required to be installed into one of the Molex Industry Standard Crimp presses; TM-3000 63801-7200 110v, TM-3000 63801-7300 220v, or TM-4000 63801-7600 220v. One of the three above press part numbers are required for the TM-42 replacement crimp module to function and the FFC termination kit goes into the TM-42 replacement crimp module.
Function	Crimp
Geographic Area	Global
Level of Automation	Semi-Automatic
More Detailed Tech Information	applicationtooling@molex.com
Product Name	N/A
Survey	www.molex.com//review/apptool_survey.html
Tool Type	Base Unit
UPC	887191410531

Material Info

Reference - Drawing Numbers

Application Tooling Documents	TM-638018550
-------------------------------	--------------



EU RoHS **China RoHS**

Compliance Status

Not Reviewed

REACH SVHC

Not Reviewed

Low-Halogen Status

Not Reviewed

Need more information on product environmental compliance?

Email productcompliance@molex.com
 For a multiple part number RoHS Certificate of Compliance, [click here](#)

Please visit the [Contact Us](#) section for any non-product compliance questions.

Search Parts in this Series

[T1202Series](#)

Use With

TM-3000 Universal Press [63801-7200](#) , [63801-7300](#). TM-4000 Universal Press [63801-7600](#). [63801-8500](#) TM-42 replacement crimp module in a Molex TM-3000 or Molex TM-4000 press . One of the three above press part numbers are required