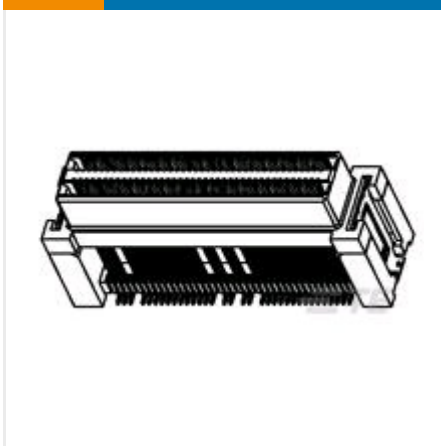




CONNECTORS

BOARD-TO-BOARD HEADERS & RECEPTACLES



✓ Active

TE CONNECTIVITY (TE)

MICRO STACK REC ASSY 80P

Buchanan | RC , RE

6376608-1

TE Internal Number: 6376608-1

EU RoHS Compliant

EU ELV Compliant

Connector Style Receptacle

Number of Positions 80

Centerline (Pitch) .6 mm [.023 in]

Packaging Method Tray

Contact Mating Area Plating Material Gold

↓ **PRODUCT DRAWING**
Japanese

↓ **3D PDF**

DOCUMENTATION

Product Drawings

REC ASSEMBLY,0.6mm PITCH 80P MICRO STACK CONN

PDF (TIFF AVAILABLE)

Japanese

CAD Files

Customer View Model

3D_IGS.ZIP

English

Customer View Model

2D_DXF.ZIP

English

3D PDF

PDF

3D

Customer View Model

3D_STP.ZIP

English

Product Specifications

Product Specification

MICRO-STACK CONNECTOR

PDF

Japanese

Qualification Test Report

MICRO-STACK CONNECTOR QUALIFICATION TEST REPORT

PDF

Japanese

Product Environmental Compliance

TE Material Declaration

MD_6376608-1_0714201488_dmtec

PDF

English

FEATURES



Please review product documents or [contact us](#) for the latest agency approval information.

Please Note: Use the Product Drawing for all design activity.

Product Type Features

Connector Style Receptacle

Connector & Contact Terminates To Printed Circuit Board

Row-to-Row Spacing 2.8 mm [.11 in]

PCB Mounting Orientation Vertical

Boss Without

Product Type Connector

Configuration Features

Stackable Yes

Number of Positions 80

Number of Rows 2

Preloaded Yes

Electrical Characteristics

Voltage (VAC) 50

Contact Features

Solder Tail Contact Plating Material Gold Flash
Contact Mating Area Plating Material Gold
Contact Mating Area Plating Thickness (µin) 11.81
Contact Current Rating (Max) (A) .5
Solder Tail Contact Plating Thickness .3 µm [31.5 µin]
Contact Base Material Copper Alloy
Contact Type Socket

Termination Features

Termination Method to PC Board Surface Mount

Mechanical Attachment

PCB Mount Retention With
PCB Mount Retention Type Solder Peg

Housing Features

Centerline (Pitch) .6 mm [.023 in]
Housing Entry Style Top
Housing Material LCP (Liquid Crystal Polymer)

Dimensions

Height (mm) 13.6
Height (in) .53, .535

Usage Conditions

Operating Temperature Range (°C) -55 – 85

Operation/Application

Pick and Place Cover Without
For Use With Headers

Industry Standards

UL Flammability Rating UL 94V-0

Packaging Features

Packaging Method Tray
Packaging Quantity 45

PRODUCT COMPLIANCE



Statement of Compliance

Statement of Compliance

PDF
