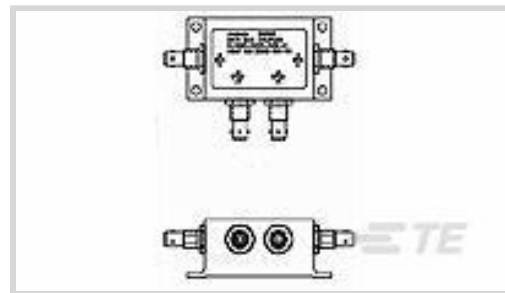




Cable Assemblies > Data Bus Components > Data Bus Couplers



Coupler Type: **Box Coupler**

Number of Stubs: **2**

Polarization Code: **B**

Data Bus Connector Style: **Bayonet**

## Features

### Product Type Features

Coupler Type	Box Coupler
Data Bus Connector Style	Bayonet

### Configuration Features

Connector Location	Side
Number of Stubs	2

### Termination Features

Termination Method to Wire & Cable	Solder
------------------------------------	--------

### Mechanical Attachment

Polarization Code	B
-------------------	---

### Usage Conditions

Operating Temperature (Max)	125 °C
-----------------------------	--------

## Product Compliance

[For compliance documentation, visit the product page on TE.com>](#)

EU RoHS Directive 2011/65/EU	Not Compliant
EU ELV Directive 2000/53/EC	Not Compliant
China RoHS 2 Directive MIIT Order No 32, 2016	Restricted Materials Above Threshold
EU REACH Regulation (EC) No. 1907/2006	Current ECHA Candidate List: JUNE 2024 (241) Candidate List Declared Against: JAN 2024 (240)

SVHC > Threshold:

Pb (37% in Solder)

**Article Safe Usage Statements:**

Do not eat, drink or smoke when using this product. Wash thoroughly after handling. Recycle if possible and dispose of the article by following all applicable governmental regulations relevant to your geographic location.

Halogen Content

BFR/CFR/PVC Free, but Br/Cl >900 ppm in other sources.

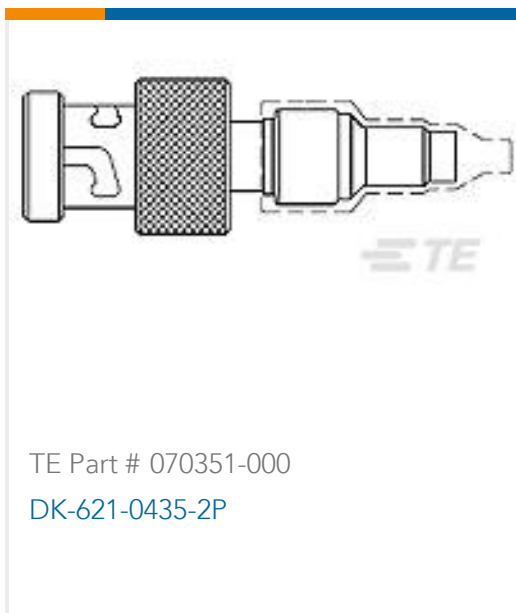
Solder Process Capability

Not lead free process capable

**Product Compliance Disclaimer**

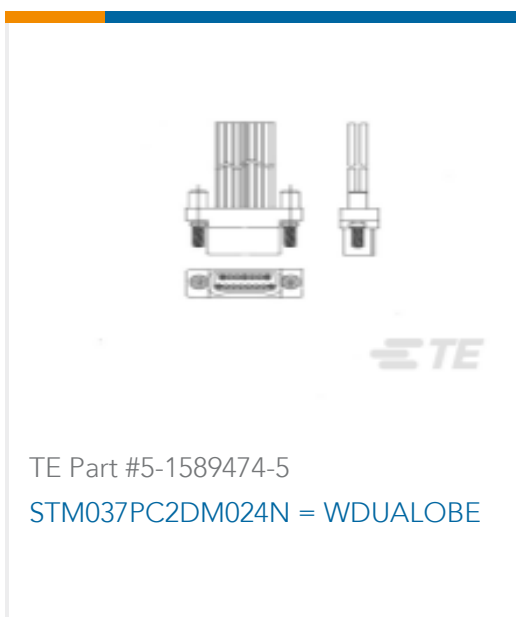
This information is provided based on reasonable inquiry of our suppliers and represents our current actual knowledge based on the information they provided. This information is subject to change. The part numbers that TE has identified as EU RoHS compliant have a maximum concentration of 0.1% by weight in homogenous materials for lead, hexavalent chromium, mercury, PBB, PBDE, DBP, BBP, DEHP, DIBP, and 0.01% for cadmium, or qualify for an exemption to these limits as defined in the Annexes of Directive 2011/65/EU (RoHS2). Finished electrical and electronic equipment products will be CE marked as required by Directive 2011/65/EU. Components may not be CE marked. Additionally, the part numbers that TE has identified as EU ELV compliant have a maximum concentration of 0.1% by weight in homogenous materials for lead, hexavalent chromium, and mercury, and 0.01% for cadmium, or qualify for an exemption to these limits as defined in the Annexes of Directive 2000/53/EC (ELV). Regarding the REACH Regulation, the information TE provides on SVHC in articles for this part number is based on the latest European Chemicals Agency (ECHA) 'Guidance on requirements for substances in articles' posted at this URL: <https://echa.europa.eu/guidance-documents/guidance-on-reach>

## Compatible Parts

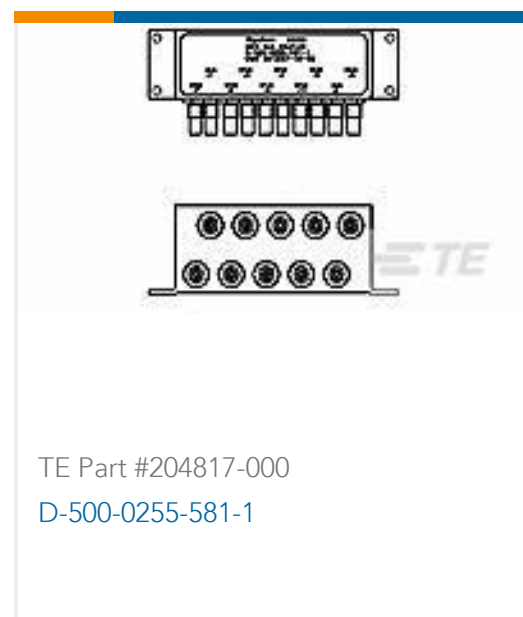


TE Part # 070351-000  
DK-621-0435-2P

## Customers Also Bought



TE Part #5-1589474-5  
STM037PC2DM024N = WDUALOBE



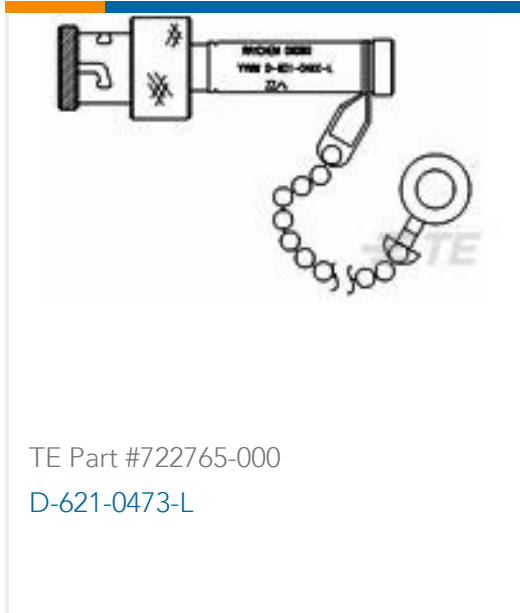
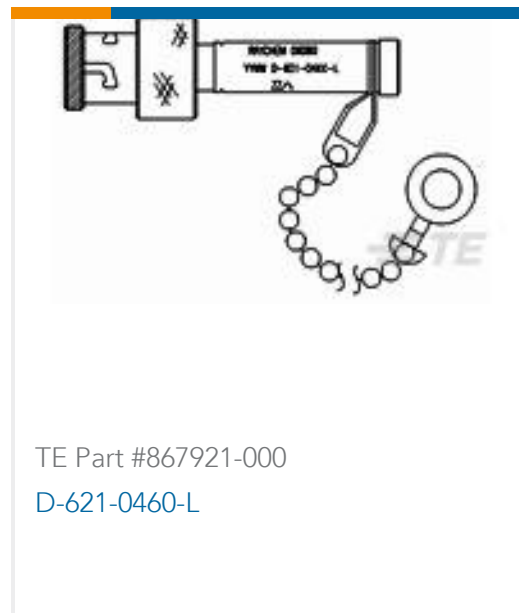
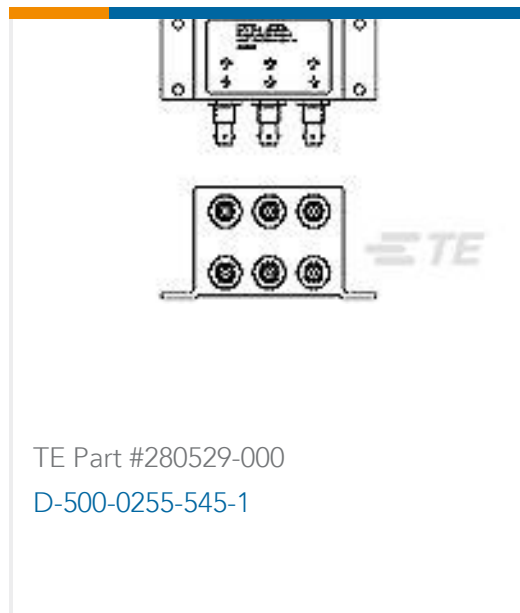
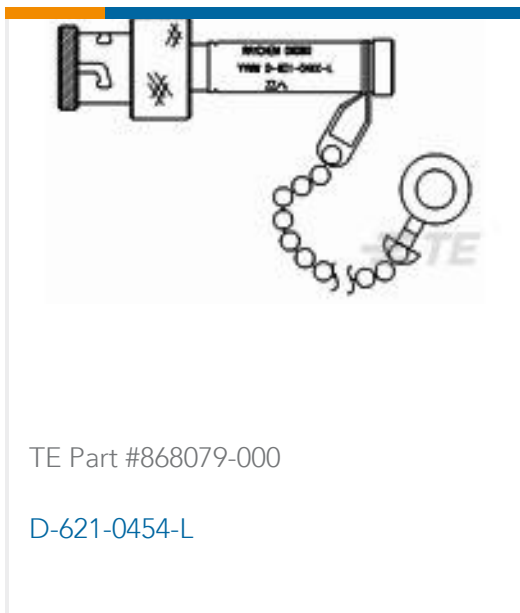
TE Part #204817-000  
D-500-0255-581-1



TE Part #757757-000  
55PC0111-10-9



TE Part #D53580-000  
55PC1111-26-4-9



## Documents

### Product Drawings

[D-500-0255-525-1](#)

English

### Datasheets & Catalog Pages

[Data Bus Components Brochure](#)

English

### Product Specifications

[Specification Or Standard](#)

English