

63509-1 ✓ ACTIVE

FASTIN-FASTON | FASTIN-FASTON 187

TE Internal #: 63509-1

FASTIN-FASTON 187, Quick Disconnects, Receptacle, 20 – 16AWG

Wire Size, .51 – 1.31mm<sup>2</sup> Wire Size, Mating Tab Width 4.75 mm [.187 in]

[View on TE.com >](#)



Terminals & Splices > Quick Disconnects



Terminal & Splice Type: **Receptacle**

Wire Size: .51 – 1.31 mm<sup>2</sup>

Mating Tab Width: 4.75 mm [.187 in]

Mating Tab Thickness: .51 mm [.02 in]

## Features

### Product Type Features

Wire Stop	No
Wire/Cable Type	Regular Wire
Terminates To	Wire & Cable
Insertion Force	Normal
Sealable	No
Insulated	No

### Configuration Features

Connection Capacity	Single
---------------------	--------

### Body Features

Fully Insulated	No
Plating Material	Tin

### Contact Features

Terminal Type	Receptacle
Terminal & Splice Type	Receptacle



Terminal Orientation	Straight
Contact Base Material	Brass
Crimp Type	F-Crimp
Barrel Type	Open

### Mechanical Attachment

Mating Retention Type	Locking Lance
Wire Insulation Support	With

### Dimensions

Accepts Wire Insulation Diameter Range	1.52 – 2.8 mm [.06 – .11 in]
Receptacle Terminal Stock Thickness	.33 mm [.013 in]
Wire Size	.51 – 1.31 mm <sup>2</sup>
Mating Tab Width	4.75 mm [.187 in]
Mating Tab Thickness	.51 mm [.02 in]

### Usage Conditions

Operating Temperature Range	-40 – 110 °C [-40 – 230 °F]
-----------------------------	-----------------------------

### Packaging Features

Packaging Quantity	9000
Packaging Method	Strip/Reel

### Product Compliance

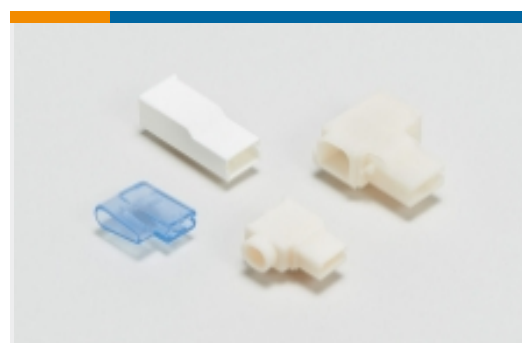
[For compliance documentation, visit the product page on TE.com>](#)

EU RoHS Directive 2011/65/EU	Compliant
EU ELV Directive 2000/53/EC	Compliant
China RoHS 2 Directive MIIT Order No 32, 2016	No Restricted Materials Above Threshold
EU REACH Regulation (EC) No. 1907/2006	Current ECHA Candidate List: JUN 2020 (209) Candidate List Declared Against: JAN 2020 (205) Does not contain REACH SVHC
Halogen Content	Low Halogen - Br, Cl, F, I < 900 ppm per homogenous material. Also BFR/CFR/PVC Free
Solder Process Capability	Not applicable for solder process capability

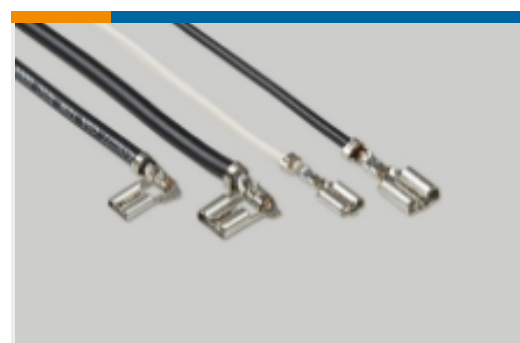
Product Compliance Disclaimer

This information is provided based on reasonable inquiry of our suppliers and represents our current actual knowledge based on the information they provided. This information is subject to change. The part numbers that TE has identified as EU RoHS compliant have a maximum concentration of 0.1% by weight in homogenous materials for lead, hexavalent chromium, mercury, PBB, PBDE, DBP, BBP, DEHP, DIBP, and 0.01% for cadmium, or qualify for an exemption to these limits as defined in the Annexes of Directive 2011/65/EU (RoHS2). Finished electrical and electronic equipment products will be CE marked as required by Directive 2011/65/EU. Components may not be CE marked. Additionally, the part numbers that TE has identified as EU ELV compliant have a maximum concentration of 0.1% by weight in homogenous materials for lead, hexavalent chromium, and mercury, and 0.01% for cadmium, or qualify for an exemption to these limits as defined in the Annexes of Directive 2000/53/EC (ELV). Regarding the REACH Regulation, the information TE provides on SVHC in articles for this part number is based on the latest European Chemicals Agency (ECHA) 'Guidance on requirements for substances in articles' posted at this URL: <https://echa.europa.eu/guidance-documents/guidance-on-reach>

## Also in the Series | FASTIN-FASTON 187

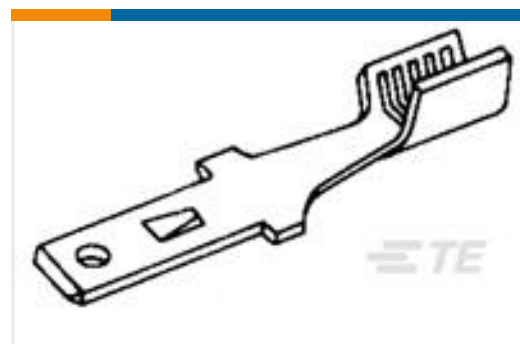
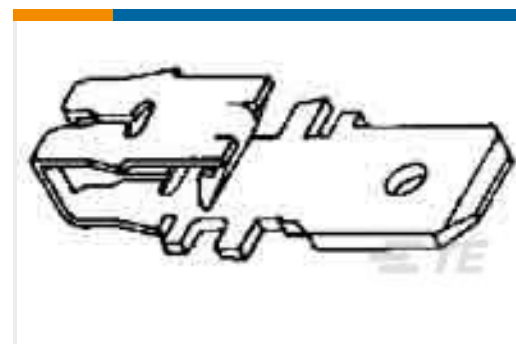
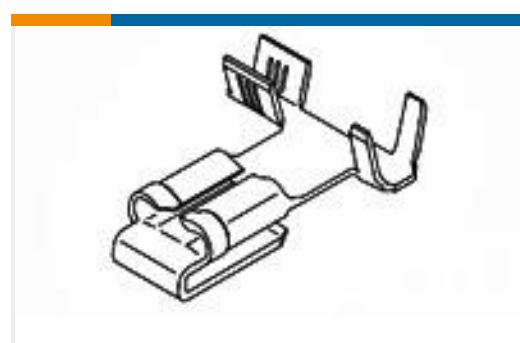
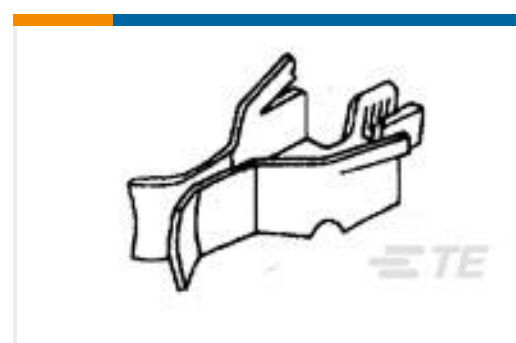


Crimp Terminal Housings(7)



Quick Disconnects(22)

## Customers Also Bought

TE Model / Part #2271203-1  
2PIN WIRE TO WIRE CONNECTORTE Model / Part #62447-1  
187 AMVAR FFTABFLT 020TPBRTE Model / Part #63668-1  
MAG-MATE 187 F-TAB TPBRTE Model / Part #63665-1  
MAG-MATE 187 FAST TAB 020TPBRTE Model / Part #2-1618240-5  
K43C234=RELAY, VACUUM, SPDTTE Model / Part #61350-1  
FASTON 187 FLAG RECEPTACLE 20-16 AWG BRTE Model / Part #63863-1  
TWIST LOCK RECEPTACLE 18-14 AWG TPPHBZTE Model / Part #350700-2  
UMNL SPLIT PIN AU/NI/BR

## Documents

### Product Drawings

[FF 187 REC 20-16AWG TPBR](#)

English

### CAD Files



### 3D PDF

3D

#### Customer View Model

[ENG\\_CVM\\_CVM\\_63509-1\\_K\\_c-63509-1-k.2d\\_dxf.zip](#)

English

#### Customer View Model

[ENG\\_CVM\\_CVM\\_63509-1\\_K\\_c-63509-1-k.3d\\_igs.zip](#)

English

#### Customer View Model

[ENG\\_CVM\\_CVM\\_63509-1\\_K\\_c-63509-1-k.3d\\_stp.zip](#)

English

By downloading the CAD file I accept and agree to the [Terms and Conditions](#) of use.

### Product Specifications

#### Application Specification

English

[FASTIN-FASTON 110, 187, 205 And 312 Series Receptacle Contacts](#)

English