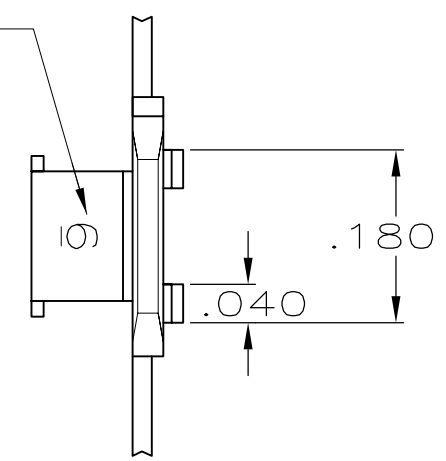


THIS DRAWING IS UNPUBLISHED. RELEASED FOR PUBLICATION
 © COPYRIGHT - By - TE CONNECTIVITY ALL RIGHTS RESERVED.

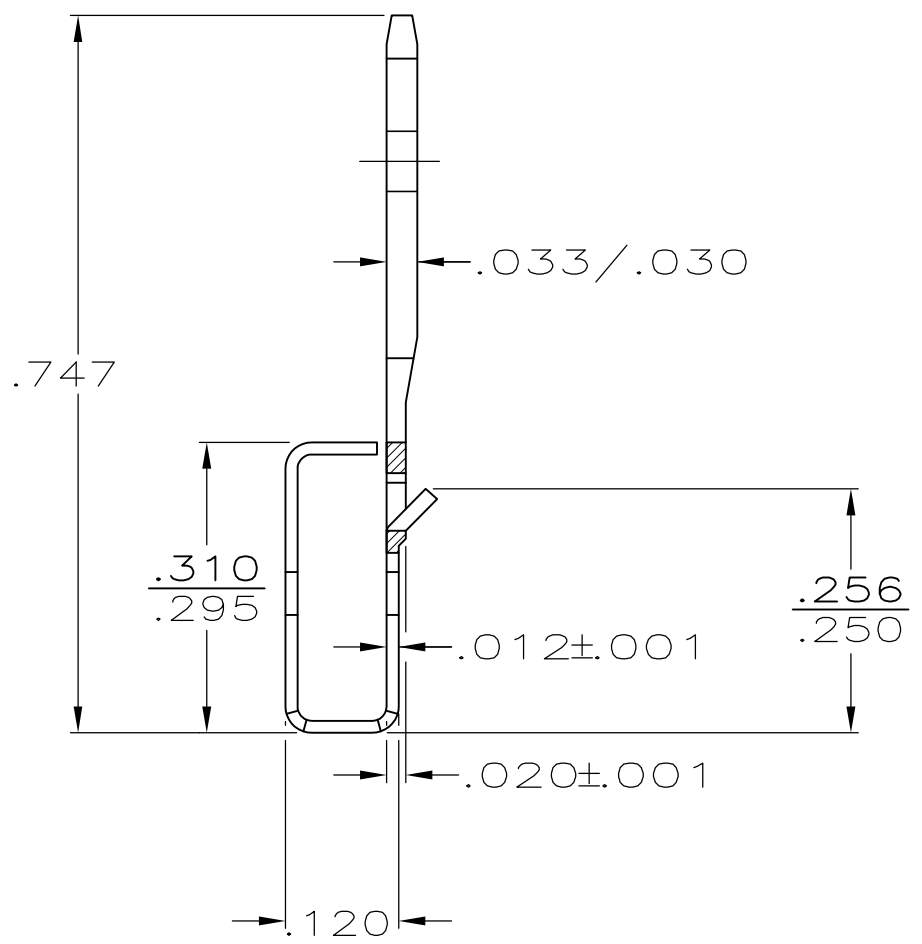
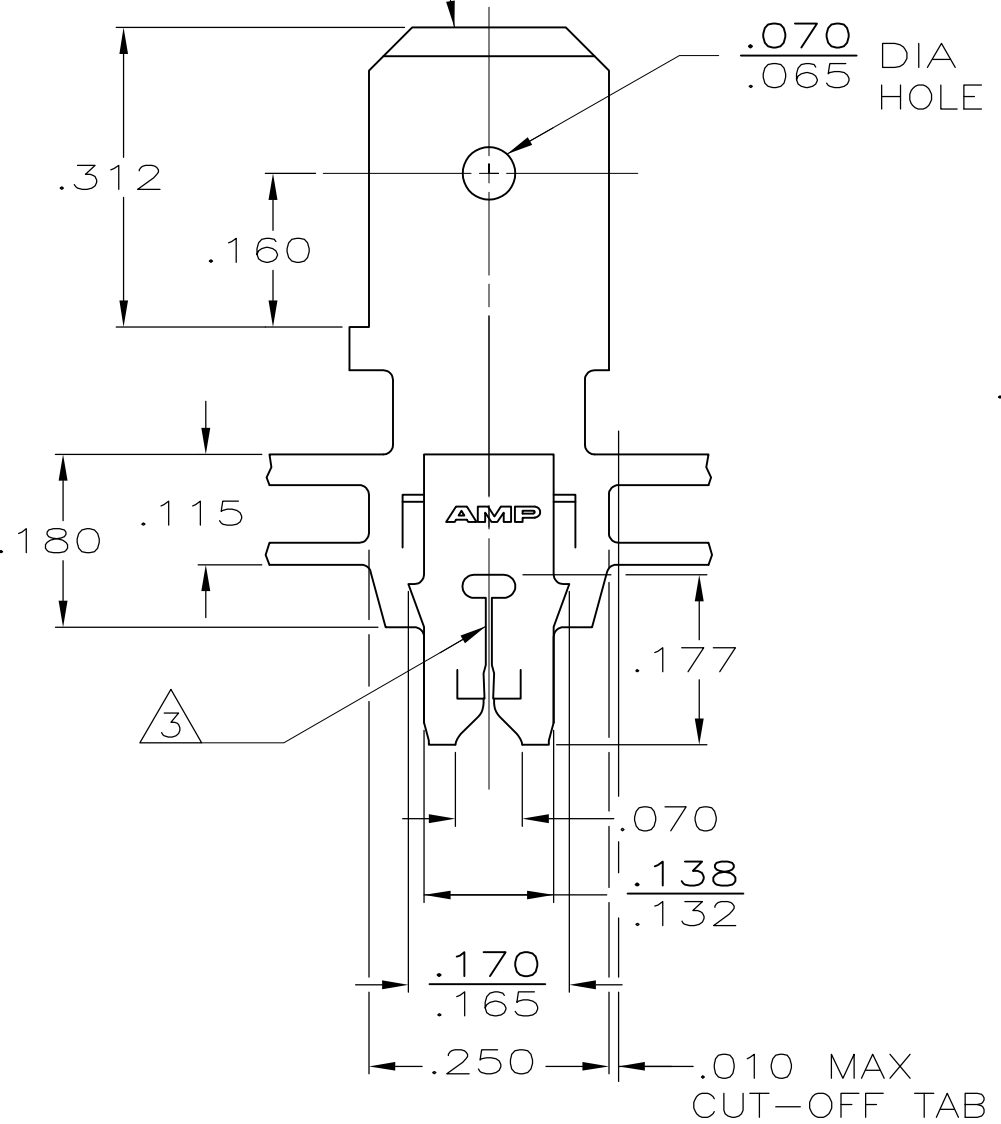
REVISIONS				
P	LTR	DESCRIPTION	DATE	APVD
	E2	ALUMINIUM WIRE RANGE ADDED	08MAR2017	BW SV

IDENTIFICATION NUMBER FOR MAGNET WIRE RANGE



- 1 MAG-MATE CAVITY SPECIFICATION.
- 2 CONTINUOUS STRIP ON REELS WITH TERMINALS LOCATED ON .330±.003 CENTERS.
- 3 SLOT TERMINATES EITHER SINGLE OR DOUBLE MAGNET WIRES OF THE SAME TYPE AND SIZE, COPPER WIRE RANGE IS 0.25-0.36mm[#30-#27] AWG. ALUMINIUM WIRE RANGE IS 0.32-0.45mm[#28-#25] AWG.

FITS .250 SERIES FASTON RECEPTACLE



082 BRASS	63499-2
4M BRASS	63499-1
MATERIAL	PART NO.

THIS DRAWING IS A CONTROLLED DOCUMENT.		DWN M.S FEHER 6/3/88	STE TE Connectivity	
DIMENSIONS: INCHES		CHK C G ATHERTON 7/7/88		
TOLERANCES UNLESS OTHERWISE SPECIFIED:		APVD JR RUTH 7/7/88	NAME	
0 PLC ± -		PRODUCT SPEC	TAB, 250 FASTON, MAG-MATE	
1 PLC ± -		108-2012	-	
2 PLC ± -		APPLICATION SPEC	SIZE	CAGE CODE
3 PLC ± .010		114-2094 1	A3	00779
4 PLC ± -		WEIGHT	DRAWING NO	RESTRICTED TO
ANGLES ± -		CUSTOMER DRAWING	C-63499	-
FINISH		SCALE	SHEET	REV
SEE TABLE		5:1	1 OF 1	E2