

63497-2 ✓ ACTIVE

AMPLIVAR

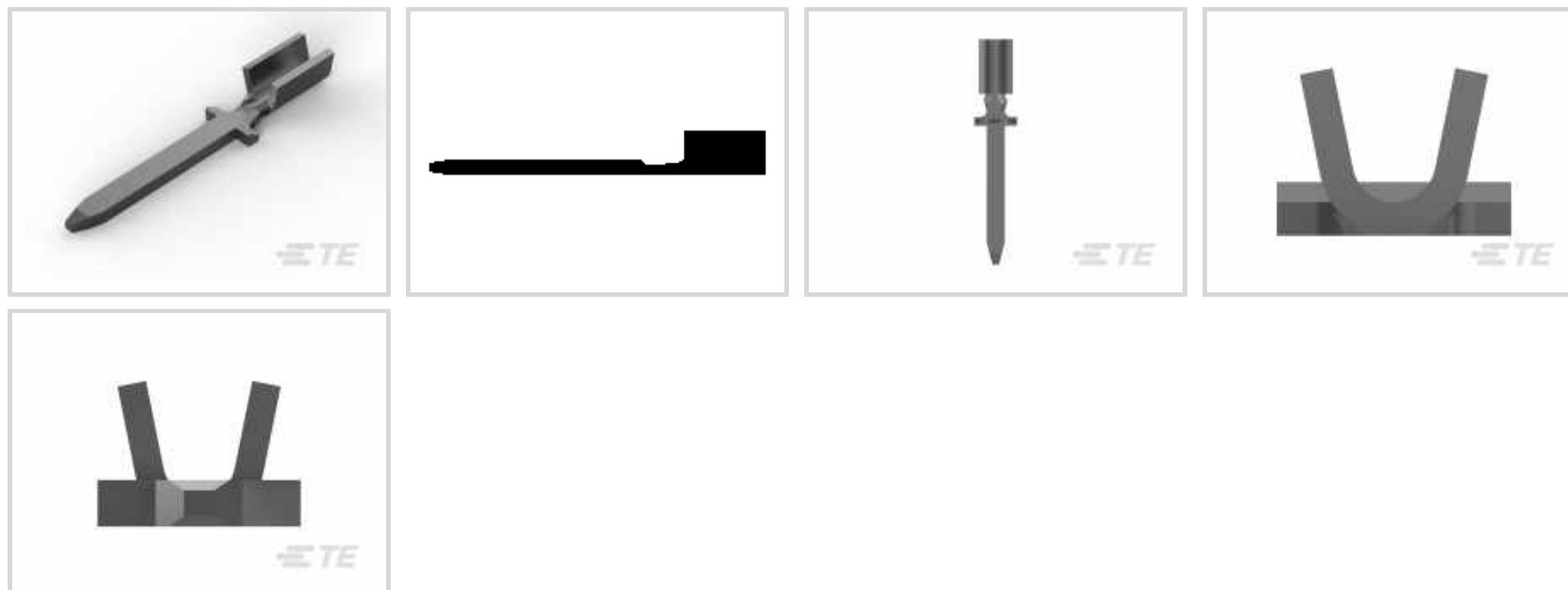
TE Internal #: 63497-2

Quick Disconnects, Tab, 24 – 19 AWG Wire Size, .2 – .65 mm² Wire Size, Mating Tab Width .06 in [1.52 mm], Straight, Brass, Tin Plating, Reel, AMPLIVAR

[View on TE.com >](#)



Terminals & Splices > Quick Disconnects



Quick Disconnect Terminal Type: Tab

Wire Size: .2 – .65 mm²

Mating Tab Width: 1.52 mm [.06 in]

Mating Tab Thickness: .81 mm [.032 in]

Features

Product Type Features

Terminates To	Wire & Cable
Wire Stop	No
Wire/Cable Type	Magnet Wire
Sealable	No

Configuration Features

Connection Capacity	Single
---------------------	--------

Contact Features

Quick Disconnect Terminal Type	Tab
Mating Tab Width	1.52 mm [.06 in]
Mating Tab Thickness	.81 mm [.032 in]
Terminal Orientation	Straight
Contact Base Material	Brass
Terminal Plating Material	Tin
Crimp Type	F-Crimp
Barrel Type	Open



Mechanical Attachment

Wire Insulation Support	Without
-------------------------	---------

Dimensions

Receptacle Terminal Stock Thickness	.51 mm [.02 in]
Wire Size	.2 – .65 mm ²

Usage Conditions

Insulation Option	Uninsulated
-------------------	-------------

Industry Standards

CSA Certified	Yes
---------------	-----

Packaging Features

Packaging Quantity	7000
Packaging Method	Reel

Product Compliance

[For compliance documentation, visit the product page on TE.com>](#)

EU RoHS Directive 2011/65/EU	Compliant
EU ELV Directive 2000/53/EC	Compliant
China RoHS 2 Directive MIIT Order No 32, 2016	No Restricted Materials Above Threshold
EU REACH Regulation (EC) No. 1907/2006	Current ECHA Candidate List: JAN 2023 (233) Candidate List Declared Against: JAN 2023 (233) Does not contain REACH SVHC
Halogen Content	Low Halogen - Br, Cl, F, I < 900 ppm per homogenous material. Also BFR/CFR/PVC Free
Solder Process Capability	Not applicable for solder process capability

Product Compliance Disclaimer

This information is provided based on reasonable inquiry of our suppliers and represents our current actual knowledge based on the information they provided. This information is subject to change. The part numbers that TE has identified as EU RoHS compliant have a maximum concentration of 0.1% by weight in homogenous materials for lead, hexavalent chromium, mercury, PBB, PBDE, DBP, BBP, DEHP, DIBP, and 0.01% for cadmium, or qualify for an exemption to these limits as defined in the Annexes of Directive 2011/65/EU (RoHS2). Finished electrical and electronic equipment products will be CE marked as required by Directive 2011/65/EU. Components may not be CE marked. Additionally, the part numbers that TE has identified as EU ELV compliant have a maximum concentration of 0.1% by weight in homogenous materials for lead, hexavalent chromium, and mercury, and 0.01% for cadmium, or qualify for an exemption to these limits as defined in the Annexes of Directive 2000/53/EC (ELV). Regarding the REACH Regulation, the information TE provides

on SVHC in articles for this part number is based on the latest European Chemicals Agency (ECHA) 'Guidance on requirements for substances in articles' posted at this URL: <https://echa.europa.eu/guidance-documents/guidance-on-reach>

Compatible Parts



Also in the Series | **AMPLIVAR**



Crimp Wire Pins, Tabs & Ferrules(5)



Magnet Wire Terminals(4)



PCB Terminals(1)



Quick Disconnects(41)

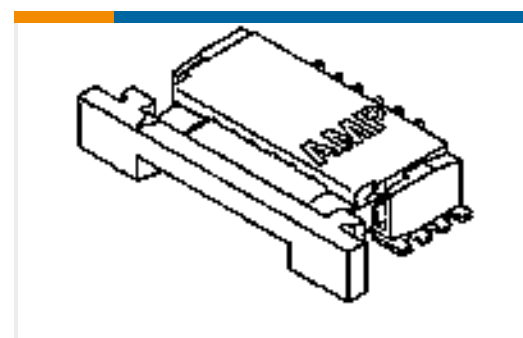
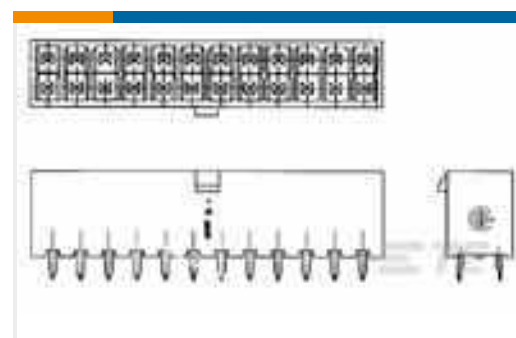
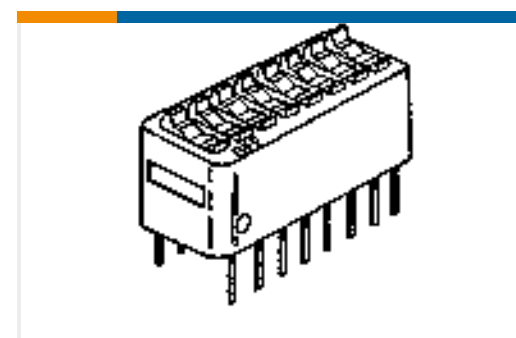


Ring Terminals & Spade Terminals(28)



Splices(77)

Customers Also Bought

TE Part #1-1462037-8
IM03TS=IM RELAY 140mW 5VTE Part #84952-4
1MM FPC HORZ.BTTM CONT.ASS.4PTE Part #1-1586037-4
14P VERT HDR VAL-U-LOK V2TE Part #4-5435640-0
DIP SW 9 POSN SEALED

Documents

Product Drawings

[AMPLIVAR TAB 032 TPBR](#)

English

CAD Files

[3D PDF](#)

English

[Customer View Model](#)

[ENG_CVM_63497-2_H.3d_igs.zip](#)

English

[Customer View Model](#)

[ENG_CVM_63497-2_H.3d_stp.zip](#)

English

[Customer View Model](#)

[ENG_CVM_63497-2_H.2d_dxf.zip](#)

English

[3D PDF](#)



3D

Customer View Model

[ENG_CVM_CVM_63497-2_S.2d_dxf.zip](#)

English

Customer View Model

[ENG_CVM_CVM_63497-2_S.3d_igs.zip](#)

English

Customer View Model

[ENG_CVM_CVM_63497-2_S.3d_stp.zip](#)

English

By downloading the CAD file I accept and agree to the [Terms and Conditions](#) of use.

Product Specifications

[Application Specification](#)

English