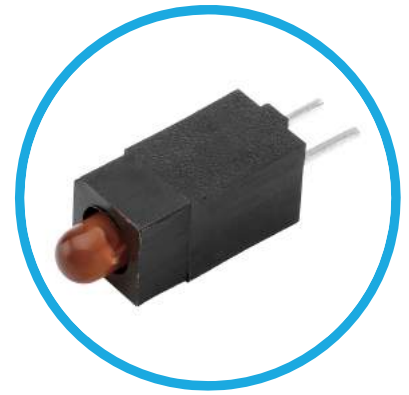




# 6321F Series T-1 Circuit Board Indicator



T-1 LED block mounting design assures height and side-by-side spacing alignment saves assembly costs

## Key Features

- T-1 LED block mounting design assures height and side-by-side spacing alignment saves assembly costs.
- Blocks have interlock feature which allows for multi LED arrays
- Black plastic mounting block provides high contrast ratio.
- High Brite and Super Brite light output.
- Standoffs prevent flux entrapment.
- Meets UL 94V-0 and Bellcore flammability specifications.

## Available Options

- Low current, 5 Volt and 12 Volt built-in resistors.
- Bicolor and blue LEDs also offered.

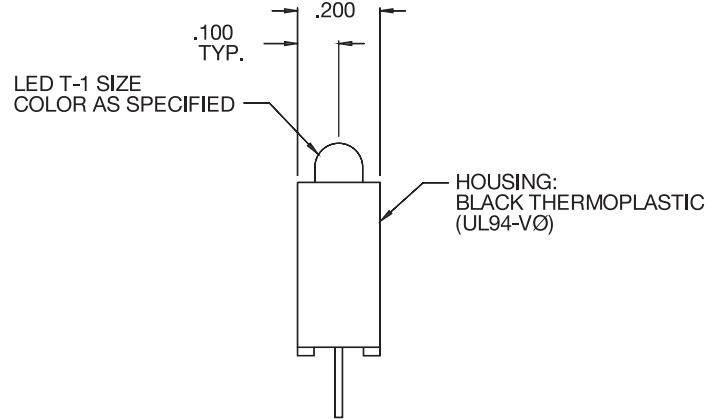
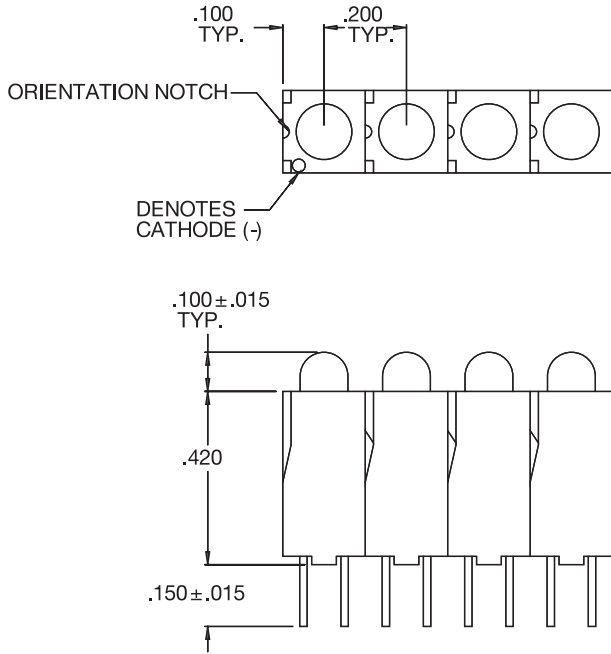
*Call factory for ordering information.*

## Electro-Optical Characteristics and Ratings

Part Number	Emitted Color	Typical Intensity (mcd)	Rated Current (mA)	Continuous Forward Current Max (mA)	Forward Voltage		Reverse Breakdown Voltage Min. (V)	Peak Wavelength (nm)
					Typ. (V)	Max. (V)		
6321F1	Red	10	10	25	1.9	3.0	5	635
6321F3	Amber	2.1 (min)	10	25	1.9	2.4	5	600
6321F5	Green	8.5	10	25	2.1	3.0	5	565
6321F7	Yellow	10	10	25	2.0	3.0	5	583

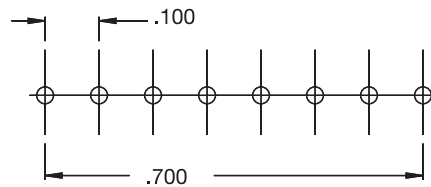
## Product Dimensions

All dimensions are in inch



## Mounting Hole Pattern

All dimensions are in inch



## Compliances and Approvals

