

63166-5 ✓ ACTIVE

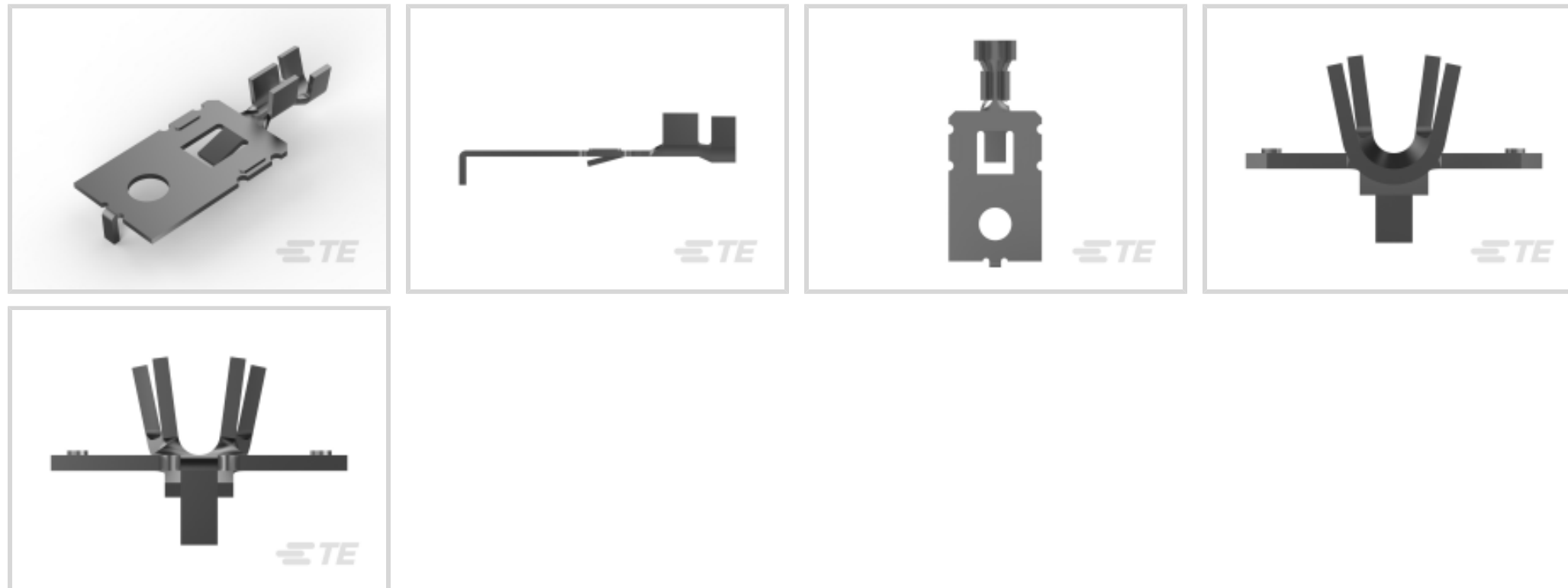
TE Internal #: 63166-5

Special Purpose Terminals, Ring, 16 – 12 AWG Wire Size, 1.3 – 3.3 mm² Wire Size, Pre-Tin Plating, Length 1.364 in [34.66 mm], Reel

[View on TE.com >](#)



Terminals & Splices > Special Purpose Terminals



Special Purpose Terminal Type: **Ring**

Wire Size: **1.3 – 3.3 mm²**

Terminal Material Thickness: **.76 mm [.03 in]**

Terminal Plating Material: **Pre-Tin**

Features

Product Type Features

Wire Insulation Support Retention Type	Insulation Support
Sealable	No

Configuration Features

Compatible With Wire & Cable Type	Discrete Wire
-----------------------------------	---------------

Contact Features

Barrel Type	Open
Special Purpose Terminal Type	Ring
Terminal Plating Material	Pre-Tin
Terminal Orientation	Straight

Mechanical Attachment

Wire Insulation Support	With
-------------------------	------

Dimensions

Wire Size	1.3 – 3.3 mm ²
Terminal Material Thickness	.76 mm [.03 in]
Product Length	34.66 mm [1.364 in]



Compatible Insulation Diameter (Max)	4.06 mm[.16 in]
Compatible Insulation Diameter Range	2.79 – 4.06 mm[.11 – .16 in]

Usage Conditions

Insulation Option	Uninsulated
-------------------	-------------

Packaging Features

Packaging Quantity	4000
Packaging Method	Reel

Product Compliance

[For compliance documentation, visit the product page on TE.com>](#)

EU RoHS Directive 2011/65/EU	Compliant
EU ELV Directive 2000/53/EC	Compliant
China RoHS 2 Directive MIIT Order No 32, 2016	No Restricted Materials Above Threshold
EU REACH Regulation (EC) No. 1907/2006	Current ECHA Candidate List: JUNE 2024 (241) Candidate List Declared Against: JUNE 2024 (241) Does not contain REACH SVHC
Halogen Content	Low Halogen - Br, Cl, F, I < 900 ppm per homogenous material. Also BFR/CFR/PVC Free
Solder Process Capability	Not applicable for solder process capability

Product Compliance Disclaimer

This information is provided based on reasonable inquiry of our suppliers and represents our current actual knowledge based on the information they provided. This information is subject to change. The part numbers that TE has identified as EU RoHS compliant have a maximum concentration of 0.1% by weight in homogenous materials for lead, hexavalent chromium, mercury, PBB, PBDE, DBP, BBP, DEHP, DIBP, and 0.01% for cadmium, or qualify for an exemption to these limits as defined in the Annexes of Directive 2011/65/EU (RoHS2). Finished electrical and electronic equipment products will be CE marked as required by Directive 2011/65/EU. Components may not be CE marked. Additionally, the part numbers that TE has identified as EU ELV compliant have a maximum concentration of 0.1% by weight in homogenous materials for lead, hexavalent chromium, and mercury, and 0.01% for cadmium, or qualify for an exemption to these limits as defined in the Annexes of Directive 2000/53/EC (ELV). Regarding the REACH Regulation, the information TE provides on SVHC in articles for this part number is based on the latest European Chemicals Agency (ECHA) 'Guidance on requirements for substances in articles' posted at this URL: <https://echa.europa.eu/guidance-documents/guidance-on-reach>

Compatible Parts



TE Part # 2151316-2
OCEAN_2.0_APPLICATOR-S-140F220O-SSA



TE Part # 567253-1
HDM



TE Part # 63496-1
POWER RING TERMINAL TAB 16-10 AWG BR



TE Part # 7-2151316-7
OCEAN_2.0_SPARE_PART_KIT-140F220O



TE Part # 7-2151316-2
OCEAN_2.0_APPLICATOR-S-140F220O

Customers Also Bought



TE Part #1971784-1
PTL TAB CONTACT, 16-19 AWG, 2X22 AWG



TE Part #63963-1
250 FASTON FLAG REC 18-14 AWG NPST



TE Part #41450
250 FASTON REC 14-10 AWG TPBR



TE Part #61399-1
312 FASTON REC 16-12 AWG TPBR



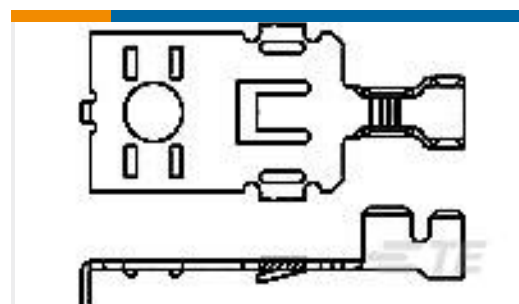
TE Part #63010-1
250 FASTON FLAG REC 18-14 AWG TPBR



TE Part #63609-1
250 FASTON REC 22-18 AWG BR



TE Part #2293372-8
AMP MONO-SHAPE PCB CONN



TE Part #63166-4
POWER RING, TERMINAL 16-12 AWG BR



TE Part #2293372-4
AMP MONO-SHAPE PCB CONN

Documents



Product Drawings

[POWER RING, TERMINAL 16-12 AWG PTPBR](#)

English

CAD Files

[3D PDF](#)

3D

Customer View Model

[ENG_CVM_CVM_63166-5_W1.2d_dxf.zip](#)

English

Customer View Model

[ENG_CVM_CVM_63166-5_W1.3d_igs.zip](#)

English

Customer View Model

[ENG_CVM_CVM_63166-5_W1.3d_stp.zip](#)

English

By downloading the CAD file I accept and agree to the [Terms and Conditions](#) of use.

Product Specifications

[Product Specification](#)

English

[Power Ring, Housing and Terminal Assemblies](#)

Japanese

[Product Specification](#)

Japanese

[Power Ring, Housing and Terminal Assemblies](#)

English

[Product Specification](#)

English