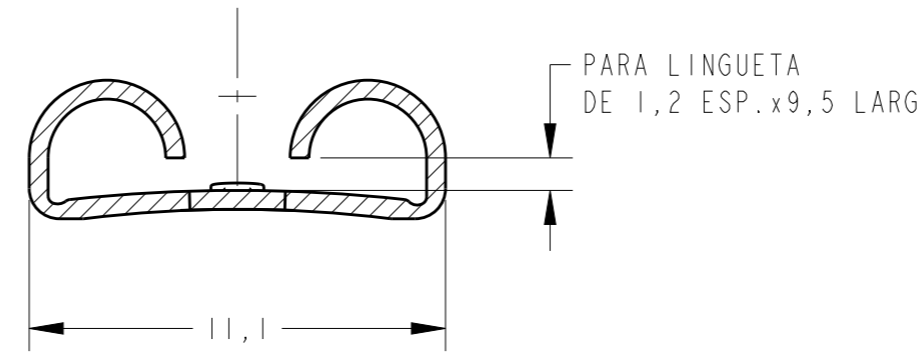
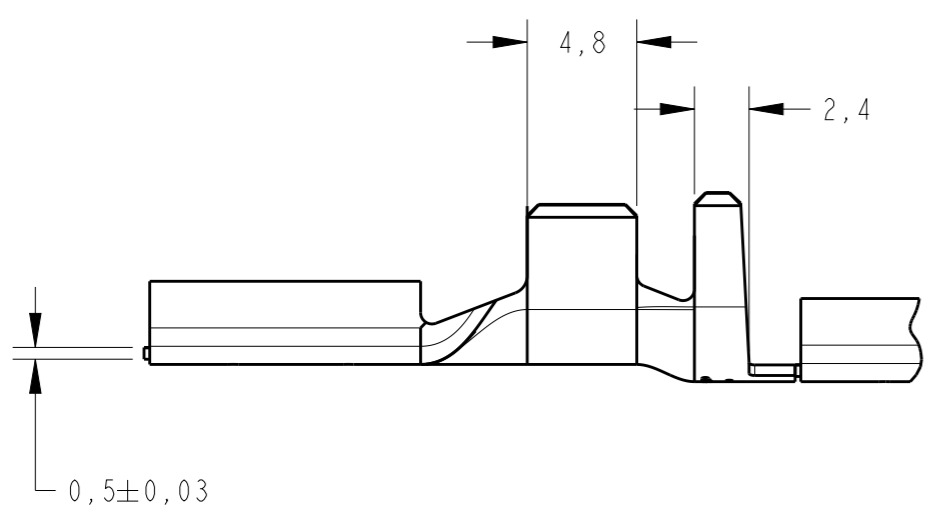
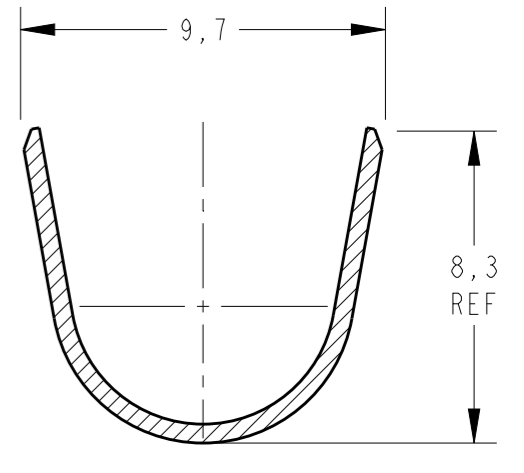
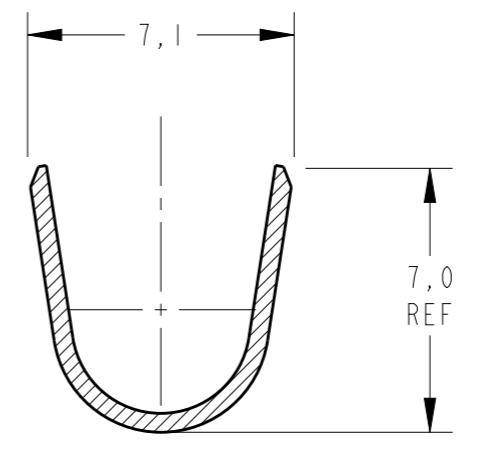
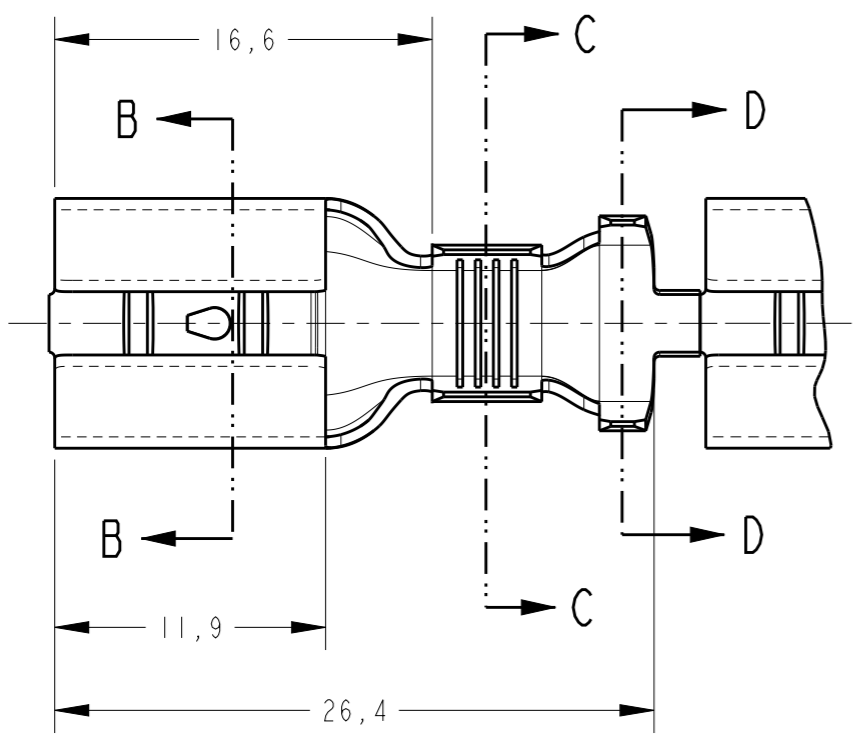


THIS DRAWING IS UNPUBLISHED. RELEASED FOR PUBLICATION 20
 © COPYRIGHT 20 BY - ALL RIGHTS RESERVED.

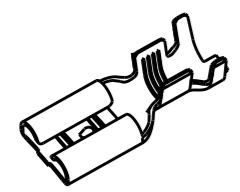
creo
 Creo Parametric 2.0
**DO NOT REVISE
 EXCEPT BY CAD**

REVISIONS					
P	LTR	DESCRIPTION	DATE	DWN	APVD
E		REDRAW BY CAD ECO-14-007082	14MAY2014	NCL	LWP
E1		REVISED BY ECO 16-003725	23JUN2016	HC	WLS



- OBSOLETE PARTS: OBSOLETE CIS STREAMLINING PER D.RENAUD / D.SINISI

OBSOLETE	ESTANHADO	BRONZE FOSF.	626536-4	
OBSOLETE		BRONZE FOSF.	626536-3	
	ESTANHADO	LATÃO / BRASS	626536-2	
OBSOLETE		LATÃO / BRASS	626536-1	
	FINISH	MATERIAL	PART NUMBER	



PERSPECTIVE VIEW
SCALE 1:1

WIRE RANGE
6,0-10,0mm²
 INSUL. RANGE
∅5,1-7,0mm

THIS DRAWING IS A CONTROLLED DOCUMENT.		DWN 27FEB2014 NCLAPRESA	TE Connectivity	
DIMENSIONS: mm		CHK 27FEB2014 JRGOLDSCHMIDT		
TOLERANCES UNLESS OTHERWISE SPECIFIED:		APVD 27FEB2014 DAOLIVEIRA	NAME	
0 PLC ±-		PRODUCT SPEC	.375 SERIES FASTON RECEPTACLE	
1 PLC ±0,3		108-37014	-	
2 PLC ±-		APPLICATION SPEC	-	
3 PLC ±--		WEIGHT	-	
4 PLC ±-		Customer Drawing	SIZE A3	RESTRICTED TO
ANGLES ±1°			CAGE CODE AP	DRAWING NO C-626536
MATERIAL SEE TABLE	FINISH SEE TABLE		SCALE 3:1	SHEET 1 OF 1
				REV E1