

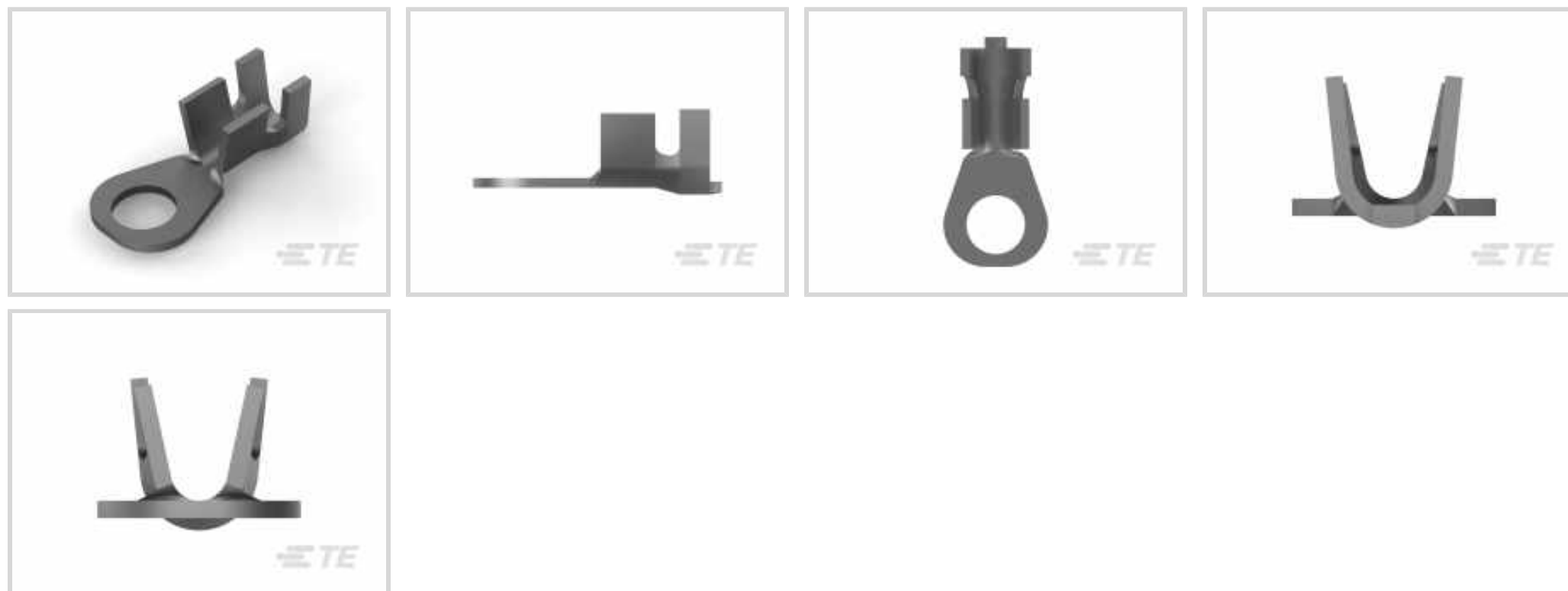


TE Internal #: 626036-2

Rings & Spades, Ring Tongue, 11 – 10 AWG, 4 – 6 mm², 8233 – 10382 CMA, #10, Stud Diameter 5.3 mm [.209 in], Tongue Thickness .8 mm [.031 in]

[View on TE.com >](#)

Terminals & Splices > Rings & Spades



Terminal & Splice Type: **Ring Tongue**

Wire Size: **8233 – 10382 CMA**

Stud Size: **#10**

Features

Product Type Features

Terminal Features	Sheared
Shape Description	RING-001
Stud Size	#10
Barrel Type	Open Barrel
Sealable	No
Insulated	No
Wire/Cable Type	Regular Wire
Support Style	Insulation Support

Configuration Features

Number of Holes	1
Terminal Angle	Straight

Body Features

Inspection Slot	No
Weight per Piece	1.205 g
Plating Material	Brass, Tin

Contact Features



Terminal & Splice Type	Ring Tongue
------------------------	-------------

Terminal Orientation	Straight
----------------------	----------

Mechanical Attachment

Wire Insulation Support	With
-------------------------	------

Dimensions

Wire Size	8233 – 10382 CMA
-----------	------------------

Stud Diameter	5.3 mm [.209 in]
---------------	------------------

Tongue Thickness	.8 mm [.031 in]
------------------	-----------------

Overall Length	19 mm [.748 in]
----------------	-----------------

Barrel Inside Diameter	2.92 mm, 4.14 mm [.114 in] [.162 in]
------------------------	--------------------------------------

Wire Insulation Diameter (Max)	5.3086 mm [.209 in]
--------------------------------	---------------------

Wire Insulation Diameter	3.2 – 5.3 mm [.15 – .209 in]
--------------------------	------------------------------

Usage Conditions

Operating Temperature Range	-40 – 105 °C [-40 – 221 °F]
-----------------------------	-----------------------------

Operation/Application

Heavy Duty	No
------------	----

Industry Standards

Government Qualified	No
----------------------	----

Packaging Features

Packaging Quantity	5000
--------------------	------

Packaging Method	Strip/Reel
------------------	------------

Other

Comment	Similar to DIN 46225.
---------	-----------------------

Product Compliance

[For compliance documentation, visit the product page on TE.com>](#)

EU RoHS Directive 2011/65/EU	Compliant
------------------------------	-----------

EU ELV Directive 2000/53/EC	Compliant
-----------------------------	-----------

China RoHS 2 Directive MIIT Order No 32, 2016	No Restricted Materials Above Threshold
---	---

EU REACH Regulation (EC) No. 1907/2006	Current ECHA Candidate List: JAN 2020 (205) Candidate List Declared Against: JAN 2019 (197)
--	--

Does not contain REACH SVHC

EU REACH Regulation (EC) No. 1907/2006

Current ECHA Candidate List: JAN 2020
(205)Candidate List Declared Against: JAN 2019
(197)

Halogen Content

Low Halogen - Br, Cl, F, I < 900 ppm per
homogenous material. Also BFR/CFR/PVC
Free

Solder Process Capability

Not applicable for solder process capability

Product Compliance Disclaimer

This information is provided based on reasonable inquiry of our suppliers and represents our current actual knowledge based on the information they provided. This information is subject to change. The part numbers that TE has identified as EU RoHS compliant have a maximum concentration of 0.1% by weight in homogenous materials for lead, hexavalent chromium, mercury, PBB, PBDE, DBP, BBP, DEHP, DIBP, and 0.01% for cadmium, or qualify for an exemption to these limits as defined in the Annexes of Directive 2011/65/EU (RoHS2). Finished electrical and electronic equipment products will be CE marked as required by Directive 2011/65/EU. Components may not be CE marked. Additionally, the part numbers that TE has identified as EU ELV compliant have a maximum concentration of 0.1% by weight in homogenous materials for lead, hexavalent chromium, and mercury, and 0.01% for cadmium, or qualify for an exemption to these limits as defined in the Annexes of Directive 2000/53/EC (ELV). Regarding the REACH Regulations, TE's information on SVHC in articles for this part number is still based on the European Chemical Agency (ECHA) 'Guidance on requirements for substances in articles' (Version: 2, April 2011), applying the 0.1% weight on weight concentration threshold at the finished product level. TE is aware of the European Court of Justice ruling of September 10th, 2015 also known as O5A (Once An Article Always An Article) stating that, in case of 'complex object', the threshold for a SVHC must be applied to both the product as a whole and simultaneously to each of the articles forming part of its composition. TE has evaluated this ruling based on the new ECHA "Guidance on requirements for substances in articles" (June 2017, version 4.0) and will be updating its statements accordingly.

Compatible Parts

TE Model / Part # 2-2150639-1
OCEAN_2.0_APPLICATOR-E-180F250FTE Model / Part # 2-2150639-2
OCEAN_2.0_APPLICATOR-E-
180F250FATE Model / Part # 2150639-1
OCEAN_2.0_APPLICATOR-E-180F250FTE Model / Part # 2150639-2
OCEAN_2.0_APPLICATOR-E-
180F250FATE Model / Part # 7-2150639-7
OCEAN_2.0_SPARE_PART_KIT-
180F250F

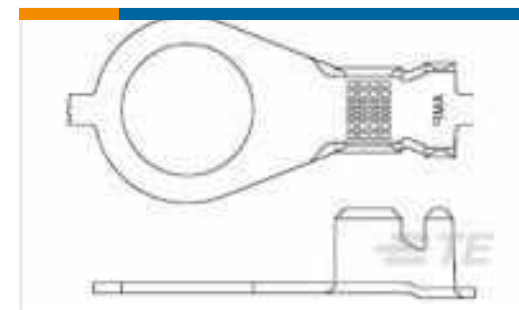
Customers Also Bought



TE Model / Part #282273-1
RCPT CONN KIT



TE Model / Part #282278-1
TAB CONN KIT



TE Model / Part #881011-2
RING TONGUE



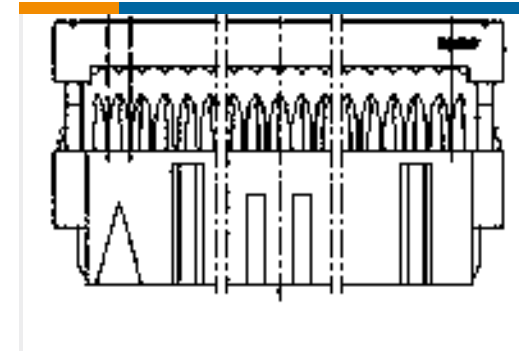
TE Model / Part #626037-2
RING TONGUE TERMINAL 4.0-6.0
MM2 TPBR



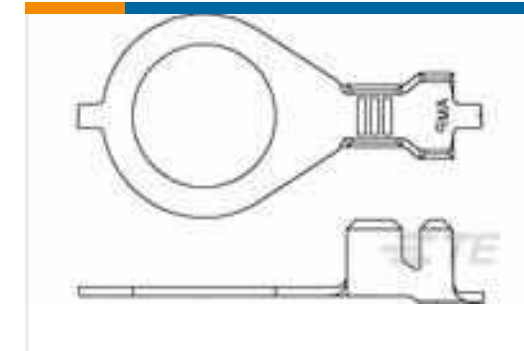
TE Model / Part #880686-2
.140 DIA SOCKET



TE Model / Part #444311-1
HSG 12 POSN, FUSE C



TE Model / Part #6-215915-0
AMP-LATCH 15.2 HIGH TAPE



TE Model / Part #881018-2
RING TONGUE 2.5-4.0 MM2 TPBR



TE Model / Part #881799-2
FASTIN ON .110 REC

Documents

Product Drawings

[RING TONGUE TERMINAL 4.0-6.0 MM2 TPBR](#)

English

CAD Files

[3D PDF](#)

3D

Customer View Model

[ENG_CVM_CVM_626036-2_E_c-626036-2-e.2d_dxf.zip](#)

English

Customer View Model

[ENG_CVM_CVM_626036-2_E_c-626036-2-e.3d_igs.zip](#)

English

Customer View Model

[ENG_CVM_CVM_626036-2_E_c-626036-2-e.3d_stp.zip](#)

English

By downloading the CAD file I accept and agree to the [Terms and Conditions](#) of use.

Product Specifications



Application Specification

English

Product Environmental Compliance

TE Material Declaration

English