

62447-2 ✓ ACTIVE

FASTIN-FASTON | FASTIN-FASTON 187

TE Internal #: 62447-2

Quick Disconnects, Tab, 22 – 16 AWG Wire Size, .32 – 1.31 mm²

Wire Size, 600 – 3000 CMA Wire Size, FASTIN-FASTON 187

[View on TE.com >](#)



Terminals & Splices > Quick Disconnects



Quick Disconnect Terminal Type: **Tab**

Wire Size: **600 – 3000 CMA**

Mating Tab Width: **4.75 mm [.187 in]**

Features

Product Type Features

Compatible With Discrete Wire Type

Magnet Wire

Insertion Force

Normal

Configuration Features

Connection Capacity

Single

Contact Features

Quick Disconnect Terminal Type

Tab

Mating Tab Width

4.75 mm [.187 in]

Mating Tab Thickness

.51 mm [.02 in]

Terminal Orientation

Straight

Contact Base Material

Brass

Terminal Plating Material

Tin

Crimp Type

F-Crimp

Barrel Type

Open

Termination Features

Product Terminates To

Wire & Cable

Mechanical Attachment



Locking Lance Height	.47 mm[.019 in]
Wire Insulation Support	Without
Mating Retention Type	Locking Lance

Dimensions

Terminal Material Thickness	.51 mm[.02 in]
Product Length	25.78 mm[1.015 in]
Wire Size	600 – 3000 CMA

Usage Conditions

Insulation Option	Uninsulated
Operating Temperature Range	-40 – 110 °C[-40 – 230 °F]

Packaging Features

Packaging Quantity	8000
Packaging Method	Strip/Reel

Product Compliance

[For compliance documentation, visit the product page on TE.com>](#)

EU RoHS Directive 2011/65/EU	Compliant
EU ELV Directive 2000/53/EC	Compliant
China RoHS 2 Directive MIIT Order No 32, 2016	No Restricted Materials Above Threshold
EU REACH Regulation (EC) No. 1907/2006	Current ECHA Candidate List: JUNE 2024 (241) Candidate List Declared Against: JUNE 2024 (241) Does not contain REACH SVHC
Halogen Content	Low Halogen - Br, Cl, F, I < 900 ppm per homogenous material. Also BFR/CFR/PVC Free
Solder Process Capability	Not applicable for solder process capability

Product Compliance Disclaimer

This information is provided based on reasonable inquiry of our suppliers and represents our current actual knowledge based on the information they provided. This information is subject to change. The part numbers that TE has identified as EU RoHS compliant have a maximum concentration of 0.1% by weight in homogenous materials for lead, hexavalent chromium, mercury, PBB, PBDE, DBP, BBP, DEHP, DIBP, and 0.01% for cadmium, or qualify for an exemption to these limits as defined in the Annexes of Directive 2011/65/EU (RoHS2). Finished electrical and electronic equipment products will be CE marked as required by Directive 2011/65/EU. Components may not be CE marked. Additionally, the part numbers that TE has identified as EU ELV compliant have a maximum concentration of 0.1% by weight in homogenous materials for lead, hexavalent chromium, and mercury, and 0.01% for cadmium, or qualify for an exemption to these limits as defined in the Annexes of Directive 2000/53/EC (ELV). Regarding the REACH Regulation, the information TE provides on SVHC in articles for this part number is based on the latest European Chemicals Agency (ECHA) 'Guidance on

requirements for substances in articles' posted at this URL: <https://echa.europa.eu/guidance-documents/guidance-on-reach>

Compatible Parts



TE Part # 170014-6
FF 110 TAB 20-16AWG TPBR



TE Part # 1742800-1
FF 187 TAB 18-14AWG TPBR



TE Part # 1217150-1
FF 187 REC 18-14AWG TPBR



TE Part # 170014-5
FF 110 TAB 20-16AWG BR



TE Part # 63521-1
FF 187 REC 20-16AWG TPBR



TE Part # 170014-1
FF 110 TAB 20-16AWG BR



TE Part # 62443-1
AMVAR FF 187 TAB 12-10AWG TPBR



TE Part # 62773-2
AMVAR FF 187 TAB 21-16AWG TPBR



TE Part # 63580-1
FF 125 REC 22-18AWG TPBR

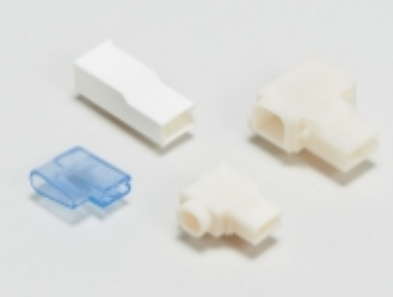


TE Part # 4150118-2
OCEAN-2.0-APPLICATOR-E-110F-SEA




TE Part # 7-4150118-2
OCEAN-2.0-APPLICATOR-E-110F


Also in the Series | FASTIN-FASTON 187



Crimp Terminal Housings(6)

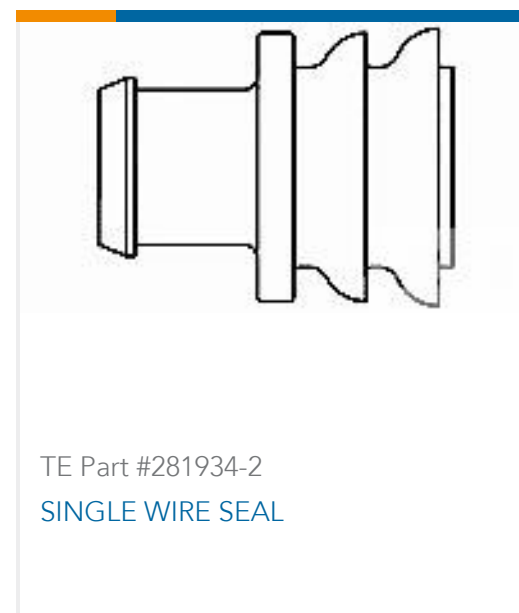


Insertion & Extraction Tools(1)



Quick Disconnects(20)

Customers Also Bought



Documents

Product Drawings

[AMVAR FF 187 TAB 22-16AWG TPBR](#)

English

CAD Files

[3D PDF](#)

3D

Customer View Model

[ENG_CVM_CVM_62447-2_T_c-62447-2-t.2d_dxf.zip](#)

English

Customer View Model

[ENG_CVM_CVM_62447-2_T_c-62447-2-t.3d_igs.zip](#)

English

Customer View Model

[ENG_CVM_CVM_62447-2_T_c-62447-2-t.3d_stp.zip](#)

English

By downloading the CAD file I accept and agree to the [Terms and Conditions](#) of use.

Product Specifications

[Application Specification](#)

English