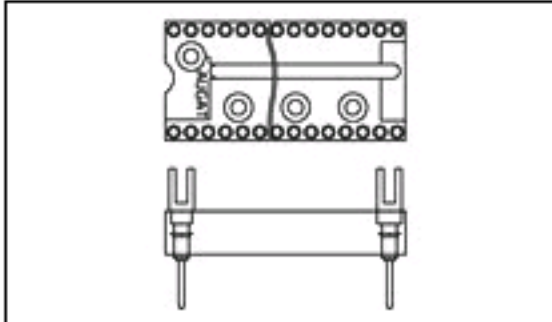


624-CG1T-LF Product Details

[Share](#) |
 [Print](#) |
 [Email](#)



624-CG1T-LF
(1571549-7)

TE Internal Number: 1571549-7

[Active](#)

Plug Adapter Assemblies

[Always EU RoHS/ELV Compliant \(Statement of Compliance\)](#)

Product Highlights:

- Adapter
- 24 Positions
- Row-to-Row Spacing = 15.24 mm
- Pin Style = Slotted
- Tin Pin Plating

[View all Features](#)

[Add to My Part List](#) |
 [Request Sample](#) |
 [Find Similar Products](#) |
 [Buy Product](#)

Quick Links

- ▶ [Check Pricing & Availability](#)
- ▶ [Search for Tooling](#)
- ▶ [Product Feature Selector](#)
- ▶ [Contact Us About This Product](#)

Documentation & Additional Information

Product Drawings:

- [DIP ADAPTER, FORK TOP PIN, LEAD FREE \(REF AUGAT 600 ...\)](#) (PDF, English)

Catalog Pages/Data Sheets:

- None Available

Product Specifications:

- None Available

Application Specifications:

- None Available

Instruction Sheets:

- None Available

CAD Files:

- None Available

Additional Information:

- [Product Line Information](#)

Related Products:

- [Tooling](#)

[List all Documents](#)

Product Features (Please use the Product Drawing for all design activity)

Product Type Features:

- Product Type = Adapter
- Product Series = 600 Series

Electrical Characteristics:

- Insulator Flammability Rating = UL94V-0

Body Features:

- Number of Positions = 24
- Row-to-Row Spacing (mm [in]) = 15.24 [0.600]
- Pin Style = Slotted
- Pin Plating = Tin
- Pin Material = Phosphor Bronze
- Insulator Material = Thermoplastic Polyester

Industry Standards:

- [RoHS/ELV Compliance](#) = RoHS compliant, ELV compliant
- [Lead Free Solder Processes](#) = Wave solder capable to 240°C, Wave solder capable to 260°C, Wave solder capable to 265°C
- RoHS/ELV Compliance History = Always was RoHS compliant

Environmental:

- Operating Temperature (°C) = -65 - +125

Other:

- Brand = AMP

Corporate Information

- [Who We Are](#)
- [Investors](#)
- [News Room](#)
- [Supplier Portal](#)
- [Careers](#)

Quick Links

- [Check Distributor Inventory](#)
- [Cross Reference](#)
- [Find Documents & Drawings](#)
- [Product Compliance Support Center](#)
- [Site Map](#)

Customer Support

- [Email or Chat With Us](#)
- [Find a Phone Number](#)
- [Search Knowledge Base](#)
- [Manage your Account](#)

Keep Me Informed

Receive TE News, Events & Technology Updates

Enter your email address

