

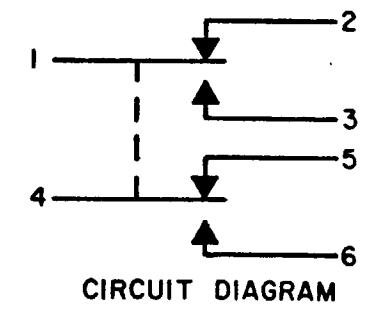
MICRO SWITCH

FREEPORT, ILLINOIS, U.S.A.
A DIVISION OF HONEYWELL

FED. MFG. CODE 91929

SWITCH-ENCLOSED

CATALOG LISTING
622EN513-6



STAINLESS STEEL SCREW WITH
.032 WIDE X .040 DEEP SLOT

ROLLER MAY BE LOCKED IN
INCREMENTS OF 45° AZIMUTH $\triangle 5$

4-40 UNC-3B MINIATURE
LOCK NUT-STAINLESS STEEL

(6) NO. 20 WIRE LEAD PER MIL-W-22759/7 MARKED
WITH CIRCUIT IDENTIFICATION AND WIRE GAGE
(1-20, 2-20, ETC) PER MIL-W-5088

.072±.004 WIDE X .031±.003
DEEP KEYWAY TO WITHIN
.250 OF SHOULDER

CORROSION RESISTANT
STEEL PLUNGER AND
BUSHING

.375 DIA X .12 WIDE CORROSION
RESISTANT STEEL ROLLER

1.775±.025
FREE
POSITION

1.290±.030

15/32-32 UNS THREAD TO WITHIN .093 OF SHOULDER
.750 MIN THREAD HEIGHT FROM SHOULDER

CORROSION RESISTANT STEEL HEX NUT,
.62 ACROSS FLATS X .125 THICK (2) $\triangle 6 \triangle 8$

CORROSION RESISTANT STEEL INTERNAL TOOTH
LOCKWASHER, .60 DIA X .018 REF THICK (MS 35333-136) $\triangle 8$

1.000 MAX

CORROSION RESISTANT STEEL KEYING WASHER,
.72 DIA X .031 THICK, TAB .110 WIDE $\triangle 6 \triangle 8$

.047 DIA HOLE FOR
WIRE LOCKING (3)

.688±.030

.375±.030

72.000 MIN

NOTES

- 1 CORROSION RESISTANT STEEL ENCLOSURE
- 2 SWITCH SEALED PER MIL - S - 8805 SYMBOL 4
- 3 CIRCUIT DIAGRAM AND CATALOG LISTING ARE SHOWN ON NAMEPLATE
- 4 COINCIDENCE OF OPERATING AND RELEASING POINTS: .010 OF PLUNGER TRAVEL
- $\triangle 5$ TO ADJUST ROLLER DIRECTION REMOVE LOCK NUT, SCREW AND ROLLER. DEPRESS PLUNGER UNTIL IT CAN BE ROTATED TO DESIRED POSITION. RETURN PLUNGER TO FREE POSITION AND REASSEMBLE ROLLER
- $\triangle 6$ REPLACEMENT MOUNTING HARDWARE - PACKET 19PA9
- 7 NOTED ELECTRICAL RATINGS APPLY AS SPECIFIED IN MIL-S-8805/43 UP TO 185°F
- $\triangle 8$ HARDWARE MAY BE PACKAGED UNASSEMBLED PER MIL-S-8805

THIS DRAWING COVERS A PROPRIETARY ITEM AND IS THE PROPERTY OF MICRO SWITCH, A DIVISION OF HONEYWELL. THIS DRAWING IS NOT TO BE COPIED OR USED WITHOUT THE APPROVAL OF MICRO SWITCH.

SCALE FULL

DO NOT SCALE PRINT

TOLERANCES
APPLY TO DESIGN UNITS. CONVERSIONS ARE ONLY FOR
REFERENCE. UNLESS NOTED, TOLERANCES ARE 2

NO PLACES	ONE PLACE	TWO PLACES	THREE PLACES	ANGLES
X	X.X	X.XX	X.XXX	X.XXX

DESIGN UNITS SI METRIC U.S. CUSTOMARY

THIRD ANGLE PROJECTION

WEIGHT 7.2 OZ MAX

CHARACTERISTICS	
OPERATING FORCE	3-6 LB
FULL OVERTRAVEL FORCE	17 LB MAX
RELEASE FORCE	2 LB MIN
PRETRAVEL	.040 MAX
DIFFERENTIAL TRAVEL	.020 MAX
OVERTRAVEL	.125 MIN

ELECTRICAL DATA		
CONTACT ARRANGEMENT S P D T (2)		
LOAD	28 VDC	
	SEA LEVEL	50,000 FT.
RES	7	7
IND	4	2.5
MOTOR	4	
LAMP		

622EN513-6
 M
 DRAWING NUMBER
 ISSUE 13
 REVISIONS
 A CO44351
 WJM 6 MAY 80
 B CO47573 PART 4
 R J H 15 AUG 80
 C CO49606C
 K A G 25 SEP 81
 D CO57370
 J A P 14 MAY 85
 CHECK
 30 MAY 80
 CHECK
 6 MAY 80
 WJM
 DRAWN
 FO-9286 1-B