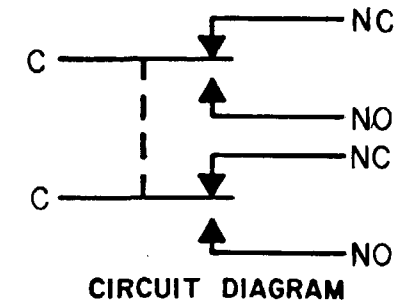


MICRO SWITCH
 FREEPORT, ILLINOIS, U.S.A.
 A DIVISION OF HONEYWELL
 FED. MFG. CODE 91928

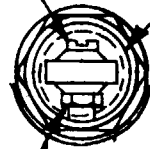
SWITCH-ENCLOSED

CATALOG LISTING
622EN28



STAINLESS STEEL SCREW WITH
 .032 WIDE X .040 DEEP SLOT

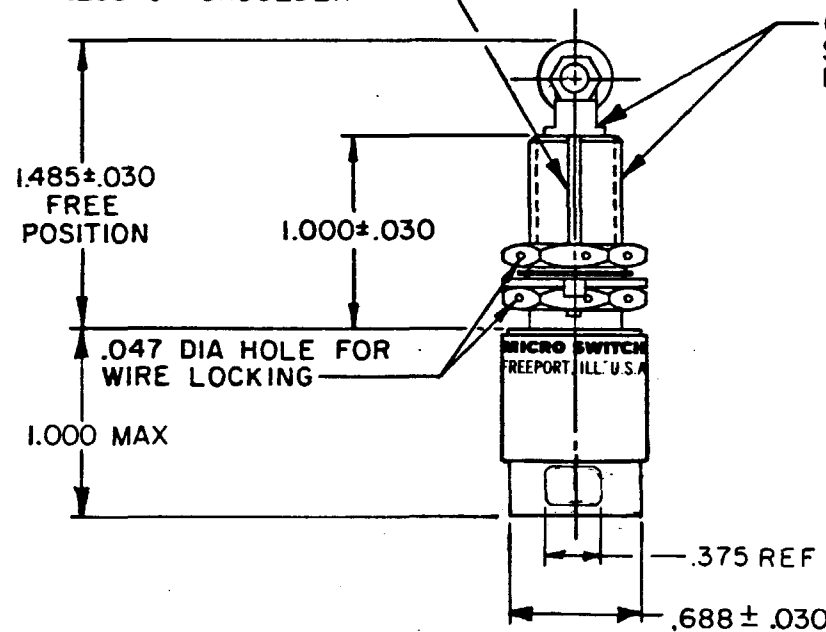
ROLLER MAY BE LOCKED IN
 INCREMENTS OF 45° AZIMUTH ⁵



4-40 UNC-3B MINIATURE
 LOCK NUT-STAINLESS STEEL

.072±.004 WIDE X .031±.003
 DEEP KEYWAY TO WITHIN
 .250 OF SHOULDER

CORROSION RESISTANT
 STEEL PLUNGER AND
 BUSHING



.388

.375 DIA X .12 WIDE CORROSION
 RESISTANT STEEL ROLLER

15/32-32 UNS THREAD TO WITHIN .093 OF SHOULDER

CORROSION RESISTANT STEEL HEX NUT, ⁶
 .62 ACROSS FLATS X .125 THICK (2) (MS 21340-24)

CORROSION RESISTANT STEEL INTERNAL TOOTH
 LOCKWASHER, .60 DIA X .018 REF THICK (MS 35333-136) ⁶

CORROSION RESISTANT STEEL KEYING WASHER, ⁶
 .72 DIA X .040 THICK, TAB .110 WIDE

.05

.200 REF

.070 REF

NORMALLY OPEN TERMINAL

NORMALLY CLOSED TERMINAL

COMMON TERMINAL

NORMALLY CLOSED TERMINAL

COMMON TERMINAL

NORMALLY OPEN TERMINAL

NOTES

- 1 CORROSION RESISTANT STEEL ENCLOSURE
- 2 SWITCH SEALED PER MIL-S-8805 SYMBOL 4
- 3 CATALOG LISTING AND DATE CODE ARE SHOWN ON NAMEPLATE
- 4 COINCIDENCE OF OPERATING AND RELEASING POINTS: .010 OF PLUNGER TRAVEL
- ⁵ TO ADJUST ROLLER DIRECTION REMOVE LOCK NUT, SCREW AND ROLLER. DEPRESS PLUNGER UNTIL IT CAN BE ROTATED TO DESIRED POSITION. RETURN PLUNGER TO FREE POSITION AND REASSEMBLE ROLLER
- ⁶ HARDWARE MAY BE PACKAGED UNASSEMBLED PER MIL-S-8805

THIS DRAWING COVERS A PROPRIETARY ITEM AND IS THE PROPERTY OF MICRO SWITCH, A DIVISION OF HONEYWELL. THIS DRAWING IS NOT TO BE COPIED OR USED WITHOUT THE APPROVAL OF MICRO SWITCH.

SCALE FULL

DO NOT SCALE PRINT

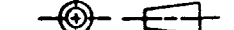
CHARACTERISTICS	
OPERATING FORCE	6-12 LB
FULL OVERTRAVEL FORCE	30 LB MAX
RELEASE FORCE	4 LB MIN
PRETRAVEL	.040 MAX
DIFFERENTIAL TRAVEL	.020 MAX
OVERTRAVEL	.125 MIN

ELECTRICAL DATA		
CONTACT ARRANGEMENT		
S P D T (2)		
28 VDC		
LOAD	SEA LEVEL	50,000 FT.
RES	7	7
IND	4	2.5
MOTOR	4	
LAMP		

TOLERANCES			
APPLY TO DESIGN UNITS. CONVERSIONS ARE ONLY FOR REFERENCE. UNLESS NOTED, TOLERANCES ARE 2			
DESIGN	UNIT	TOL.	DESIGN
NO PLACES	IN	17.04	IN
ONE PLACE	IN	0.47/0.16	IN
TWO PLACES	IN	0.16/0.05	IN
THREE PLACES	IN	0.16/0.05	IN
ANGLES			

DESIGN UNITS METRIC US CUSTOMARY

THIRD ANGLE PROJECTION



WEIGHT

622EN28

PAGE 1 OF 1

RELEASE NO. PR-15669

DRAWING NUMBER	M
ISSUE	3

REVISIONS	
A	PR 15669 TPS 11 JUN 87
B	CO-92376 TSM 3 MAR 98

CHECK MAM 12 JUN 87

DRAWN TPS 11 JUN 87

FORMTEK