

**PLEASE CHECK WWW.MOLEX.COM FOR LATEST PART INFORMATION**

**Part Number:** [62200-8400](#)  
**Status:** **Active**  
**Description:** Compliant Pin Insertion Flat Rock Tool

**Documents:**

[RoHS Certificate of Compliance \(PDF\)](#)

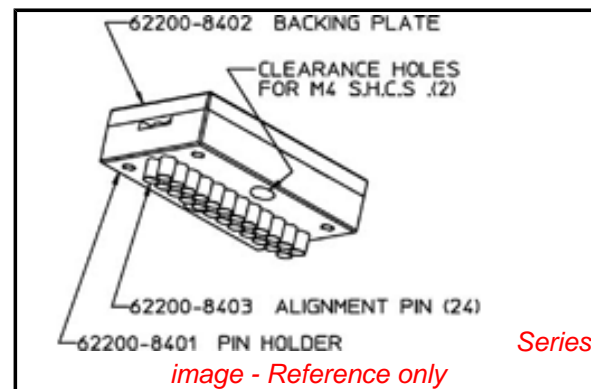
**General**

Product Family	Application Tooling
Series	T9999
Function	Insertion
Geographic Area	Global
Level of Automation	Manual
More Detailed Tech Information	<a href="mailto:applicationtooling@molex.com">applicationtooling@molex.com</a>
Product Name	N/A
Survey	<a href="http://www.molex.com//review/apptool_survey.html">www.molex.com//review/apptool_survey.html</a>
Tool Type	N/A
UPC	756054584590

**Material Info**

**Reference - Drawing Numbers**

Application Tooling Documents	ATS-622008400
-------------------------------	---------------



**EU RoHS** **China RoHS**

**Compliance Status**

**Not Reviewed**

**REACH SVHC**

**Not Reviewed**

**Low-Halogen Status**

**Not Reviewed**

**Need more information on product environmental compliance?**

Email [productcompliance@molex.com](mailto:productcompliance@molex.com)  
 For a multiple part number RoHS Certificate of Compliance, [click here](#)

Please visit the [Contact Us](#) section for any non-product compliance questions.

**Search Parts in this Series**

T9999Series

Application Tooling Description	FAQ Product #
---------------------------------	---------------

3.00mm Pitch Micro-Fit 3.0 CPI™ Header, Compliant Pin Interface, Dual Row, Vertical, 2 Circuits, Tin (Sn) Plating, Glow Wire Compatible	0449140201
3.00mm Pitch Micro-Fit 3.0 CPI™ Header, Compliant Pin Interface, Dual Row, Vertical, 4 Circuits, Tin (Sn) Plating, Glow Wire Compatible	0449140401
3.00mm Pitch Micro-Fit 3.0 CPI™ Header, Compliant Pin Interface, Dual	0449140601

Row, Vertical, 6 Circuits, Tin (Sn) Plating, Glow Wire Compatible 3.00mm Pitch	0449140801
Micro-Fit 3.0 CPI™ Header, Compliant Pin Interface, Dual	
Row, Vertical, 8 Circuits, Tin (Sn) Plating, Glow Wire Compatible 3.00mm Pitch	0449141001
Micro-Fit 3.0 CPI™ Header, Compliant Pin Interface, Dual	
Row, Vertical, 10 Circuits, Tin (Sn) Plating, Glow Wire Compatible 3.00mm Pitch	0449141401
Micro-Fit 3.0 CPI™ Header, Compliant Pin Interface, Dual	
Row, Vertical, 14 Circuits, Tin (Sn) Plating, Glow Wire Compatible 3.00mm Pitch	0449141601
Micro-Fit 3.0 CPI™ Header, Compliant Pin Interface, Dual	
Row, Vertical, 16 Circuits, Tin (Sn) Plating, Glow Wire Compatible 3.00mm Pitch	0449141801
Micro-Fit 3.0 CPI™ Header, Compliant Pin Interface, Dual	
Row, Vertical, 18 Circuits, Tin (Sn) Plating, Glow Wire Compatible 3.00mm Pitch	0449142001
Micro-Fit 3.0 CPI™ Header, Compliant Pin Interface, Dual	
Row, Vertical, 20 Circuits, Tin (Sn) Plating, Glow Wire Compatible 3.00mm Pitch	0449142401
Micro-Fit 3.0 CPI™ Header, Compliant Pin Interface, Dual	
Row, Vertical, 24 Circuits, Tin (Sn) Plating, Glow Wire Compatible 3.00mm Pitch	0449142201
Micro-Fit 3.0 CPI™ Header, Compliant Pin Interface, Dual	
Row, Vertical, 22	

Circuits, Tin (Sn)  
Plating, Glow Wire  
Compatible  
3.00mm Pitch 0449141201  
Micro-Fit 3.0 CPI™  
Header, Compliant  
Pin Interface, Dual  
Row, Vertical, 12  
Circuits, Tin (Sn)  
Plating, Glow Wire  
Compatible  
3.00mm Pitch Micro- 0452800401  
Fit 3.0 BMI CPI™  
Compliant Pin  
Header, Blind Mate  
Interface, Dual Row,  
Vertical, 4 Circuits,  
PA Polyamide Nylon  
4/6, UL 94V-0, Tin  
(Sn) Over Nickel (Ni)  
Plating  
3.00mm Pitch Micro- 0452800601  
Fit 3.0 BMI CPI™  
Compliant Pin  
Header, Blind Mate  
Interface, Dual Row,  
Vertical, 6 Circuits,  
PA Polyamide Nylon  
4/6, UL 94V-0, Tin  
(Sn) Over Nickel (Ni)  
Plating  
3.00mm Pitch Micro- 0452801201  
Fit 3.0 BMI CPI™  
Compliant Pin  
Header, Blind Mate  
Interface, Dual Row,  
Vertical, 12 Circuits,  
PA Polyamide Nylon  
4/6, UL 94V-0, Tin  
(Sn) Over Nickel (Ni)  
Plating  
3.00mm Pitch Micro- 0452801401  
Fit 3.0 BMI CPI™  
Compliant Pin  
Header, Blind Mate  
Interface, Dual Row,  
Vertical, 14 Circuits,  
PA Polyamide Nylon  
4/6, UL 94V-0, Tin  
(Sn) Over Nickel (Ni)  
Plating  
3.00mm Pitch Micro- 0452801601  
Fit 3.0 BMI CPI™  
Compliant Pin  
Header, Blind Mate  
Interface, Dual Row,  
Vertical, 16 Circuits,  
PA Polyamide Nylon  
4/6, UL 94V-0, Tin  
(Sn) Over Nickel (Ni)  
Plating  
3.00mm Pitch Micro- 0452800652  
Fit 3.0 BMI CPI™  
Compliant Pin  
Header, Blind Mate

Interface, Dual Row,  
Vertical, 6 Circuits,  
PA Polyamide Nylon  
4/6, UL 94V-0,  
0.38µm Gold (Au)  
Selective Contact  
Plating, Tin (Sn) Tail  
Plating  
3.00mm Pitch Micro- 0452800852  
Fit 3.0 BMI CPI™  
Compliant Pin  
Header, Blind Mate  
Interface, Dual Row,  
Vertical, 8 Circuits,  
PA Polyamide Nylon  
4/6, UL 94V-0,  
0.38µm Gold (Au)  
Selective Contact  
Plating, Tin (Sn) Tail  
Plating  
33.00mm Pitch 0452800452  
Micro-Fit 3.0 BMI  
CPI™ Compliant Pin  
Header, Blind Mate  
Interface, Dual Row,  
Vertical, 4 Circuits,  
PA Polyamide Nylon  
4/6, UL 94V-0,  
0.38µm Gold (Au)  
Selective Contact  
Plating, Tin (Sn) Tail  
Plating  
3.00mm Pitch Micro- 0452800801  
Fit 3.0 BMI CPI™  
Compliant Pin  
Header, Blind Mate  
Interface, Dual Row,  
Vertical, 8 Circuits,  
PA Polyamide Nylon  
4/6, UL 94V-0, Tin  
(Sn) Over Nickel (Ni)  
Plating  
3.00mm Pitch Micro- 0452801252  
Fit 3.0 BMI CPI™  
Compliant Pin  
Header, Blind Mate  
Interface, Dual Row,  
Vertical, 12 Circuits,  
PA Polyamide Nylon  
4/6, UL 94V-0,  
0.38µm Gold (Au)  
Selective Contact  
Plating, Tin (Sn) Tail  
Plating  
3.00mm Pitch Micro- 0452801253  
Fit 3.0 BMI CPI™  
Compliant Pin  
Header, Blind Mate  
Interface, Dual Row,  
Vertical, 12 Circuits,  
PA Polyamide Nylon  
4/6, UL 94V-0,  
0.76µm Gold (Au)  
Selective Contact

Plating, Tin (Sn) Tail  
Plating  
3.00mm Pitch Micro- 0452801001  
Fit 3.0 BMI CPI™  
Compliant Pin  
Header, Blind Mate  
Interface, Dual Row,  
Vertical, 10 Circuits,  
PA Polyamide Nylon  
4/6, UL 94V-0, Tin  
(Sn) Over Nickel (Ni)  
Plating  
3.00mm Pitch Micro- 0452802001  
Fit 3.0 BMI CPI™  
Compliant Pin  
Header, Blind Mate  
Interface, Dual Row,  
Vertical, 20 Circuits,  
PA Polyamide Nylon  
4/6, UL 94V-0, Tin  
(Sn) Over Nickel (Ni)  
Plating  
3.00mm Pitch Micro- 0452800653  
Fit 3.0 BMI CPI™  
Compliant Pin  
Header, Blind Mate  
Interface, Dual Row,  
Vertical, 6 Circuits,  
PA Polyamide Nylon  
4/6, UL 94V-0,  
0.76µm Gold (Au)  
Selective Contact  
Plating, Tin (Sn) Tail  
Plating  
3.00mm Pitch Micro- 0452800453  
Fit 3.0 BMI CPI™  
Compliant Pin  
Header, Blind Mate  
Interface, Dual Row,  
Vertical, 4 Circuits,  
PA Polyamide Nylon  
4/6, UL 94V-0,  
0.76µm Gold (Au)  
Selective Contact  
Plating, Tin (Sn) Tail  
Plating  
3.00mm Pitch Micro- 0452800853  
Fit 3.0 BMI CPI™  
Compliant Pin  
Header, Blind Mate  
Interface, Dual Row,  
Vertical, 8 Circuits,  
PA Polyamide Nylon  
4/6, UL 94V-0,  
0.76µm Gold (Au)  
Selective Contact  
Plating, Tin (Sn) Tail  
Plating  
3.00mm Pitch Micro- 0452801052  
Fit 3.0 BMI CPI™  
Compliant Pin  
Header, Blind Mate  
Interface, Dual Row,  
Vertical, 10 Circuits,  
PA Polyamide Nylon

4/6, UL 94V-0,  
0.38µm Gold (Au)  
Selective Contact  
Plating, Tin (Sn) Tail  
Plating  
3.00mm Pitch Micro- 0452801053  
Fit 3.0 BMI CPI™  
Compliant Pin  
Header, Blind Mate  
Interface, Dual Row,  
Vertical, 10 Circuits,  
PA Polyamide Nylon  
4/6, UL 94V-0,  
0.76µm Gold (Au)  
Selective Contact  
Plating, Tin (Sn) Tail  
Plating  
3.00mm Pitch Micro- 0452801452  
Fit 3.0 BMI CPI™  
Compliant Pin  
Header, Blind Mate  
Interface, Dual Row,  
Vertical, 14 Circuits,  
PA Polyamide Nylon  
4/6, UL 94V-0,  
0.38µm Gold (Au)  
Selective Contact  
Plating, Tin (Sn) Tail  
Plating  
3.00mm Pitch Micro- 0452801453  
Fit 3.0 BMI CPI™  
Compliant Pin  
Header, Blind Mate  
Interface, Dual Row,  
Vertical, 14 Circuits,  
PA Polyamide Nylon  
4/6, UL 94V-0,  
0.76µm Gold (Au)  
Selective Contact  
Plating, Tin (Sn) Tail  
Plating  
3.00mm Pitch Micro- 0452801652  
Fit 3.0 BMI CPI™  
Compliant Pin  
Header, Blind Mate  
Interface, Dual Row,  
Vertical, 16 Circuits,  
PA Polyamide Nylon  
4/6, UL 94V-0,  
0.38µm Gold (Au)  
Selective Contact  
Plating, Tin (Sn) Tail  
Plating  
3.00mm Pitch Micro- 0452801653  
Fit 3.0 BMI CPI™  
Compliant Pin  
Header, Blind Mate  
Interface, Dual Row,  
Vertical, 16 Circuits,  
PA Polyamide Nylon  
4/6, UL 94V-0,  
0.76µm Gold (Au)  
Selective Contact  
Plating, Tin (Sn) Tail  
Plating

3.00mm Pitch Micro- 0452801801  
Fit 3.0 BMI CPI™  
Compliant Pin  
Header, Blind Mate  
Interface, Dual Row,  
Vertical, 18 Circuits,  
PA Polyamide Nylon  
4/6, UL 94V-0, Tin  
(Sn) Over Nickel (Ni)  
Plating

3.00mm Pitch Micro- 0452801852  
Fit 3.0 BMI CPI™  
Compliant Pin  
Header, Blind Mate  
Interface, Dual Row,  
Vertical, 18 Circuits,  
PA Polyamide Nylon  
4/6, UL 94V-0,  
0.38µm Gold (Au)  
Selective Contact  
Plating, Tin (Sn) Tail  
Plating

3.00mm Pitch Micro- 0452801853  
Fit 3.0 BMI CPI™  
Compliant Pin  
Header, Blind Mate  
Interface, Dual Row,  
Vertical, 18 Circuits,  
PA Polyamide Nylon  
4/6, UL 94V-0,  
0.76µm Gold (Au)  
Selective Contact  
Plating, Tin (Sn) Tail  
Plating

3.00mm Pitch Micro- 0452802052  
Fit 3.0 BMI CPI™  
Compliant Pin  
Header, Blind Mate  
Interface, Dual Row,  
Vertical, 20 Circuits,  
PA Polyamide Nylon  
4/6, UL 94V-0,  
0.38µm Gold (Au)  
Selective Contact  
Plating, Tin (Sn) Tail  
Plating

3.00mm Pitch Micro- 0452802053  
Fit 3.0 BMI CPI™  
Compliant Pin  
Header, Blind Mate  
Interface, Dual Row,  
Vertical, 20 Circuits,  
PA Polyamide Nylon  
4/6, UL 94V-0,  
0.76µm Gold (Au)  
Selective Contact  
Plating, Tin (Sn) Tail  
Plating

3.00mm Pitch Micro- 0452802201  
Fit 3.0 BMI CPI™  
Compliant Pin  
Header, Blind Mate  
Interface, Dual Row,  
Vertical, 22 Circuits,  
PA Polyamide Nylon

4/6, UL 94V-0, Tin  
(Sn) Over Nickel (Ni)  
Plating  
3.00mm Pitch Micro- 0452802252  
Fit 3.0 BMI CPI™  
Compliant Pin  
Header, Blind Mate  
Interface, Dual Row,  
Vertical, 22 Circuits,  
PA Polyamide Nylon  
4/6, UL 94V-0,  
0.38µm Gold (Au)  
Selective Contact  
Plating, Tin (Sn) Tail  
Plating  
3.00mm Pitch Micro- 0452802253  
Fit 3.0 BMI CPI™  
Compliant Pin  
Header, Blind Mate  
Interface, Dual Row,  
Vertical, 22 Circuits,  
PA Polyamide Nylon  
4/6, UL 94V-0,  
0.76µm Gold (Au)  
Selective Contact  
Plating, Tin (Sn) Tail  
Plating  
3.00mm Pitch Micro- 0452802401  
Fit 3.0 BMI CPI™  
Compliant Pin  
Header, Blind Mate  
Interface, Dual Row,  
Vertical, 24 Circuits,  
PA Polyamide Nylon  
4/6, UL 94V-0, Tin  
(Sn) Over Nickel (Ni)  
Plating  
3.00mm Pitch Micro- 0452802452  
Fit 3.0 BMI CPI™  
Compliant Pin  
Header, Blind Mate  
Interface, Dual Row,  
Vertical, 24 Circuits,  
PA Polyamide Nylon  
4/6, UL 94V-0,  
0.38µm Gold (Au)  
Selective Contact  
Plating, Tin (Sn) Tail  
Plating  
3.00mm Pitch Micro- 0452802453  
Fit 3.0 BMI CPI™  
Compliant Pin  
Header, Blind Mate  
Interface, Dual Row,  
Vertical, 24 Circuits,  
PA Polyamide Nylon  
4/6, UL 94V-0,  
0.76µm Gold (Au)  
Selective Contact  
Plating, Tin (Sn) Tail  
Plating

**PLEASE CHECK [WWW.MOLEX.COM](http://WWW.MOLEX.COM) FOR LATEST PART INFORMATION**