

1658525-7 ✓ ACTIVE

## AMPMODU

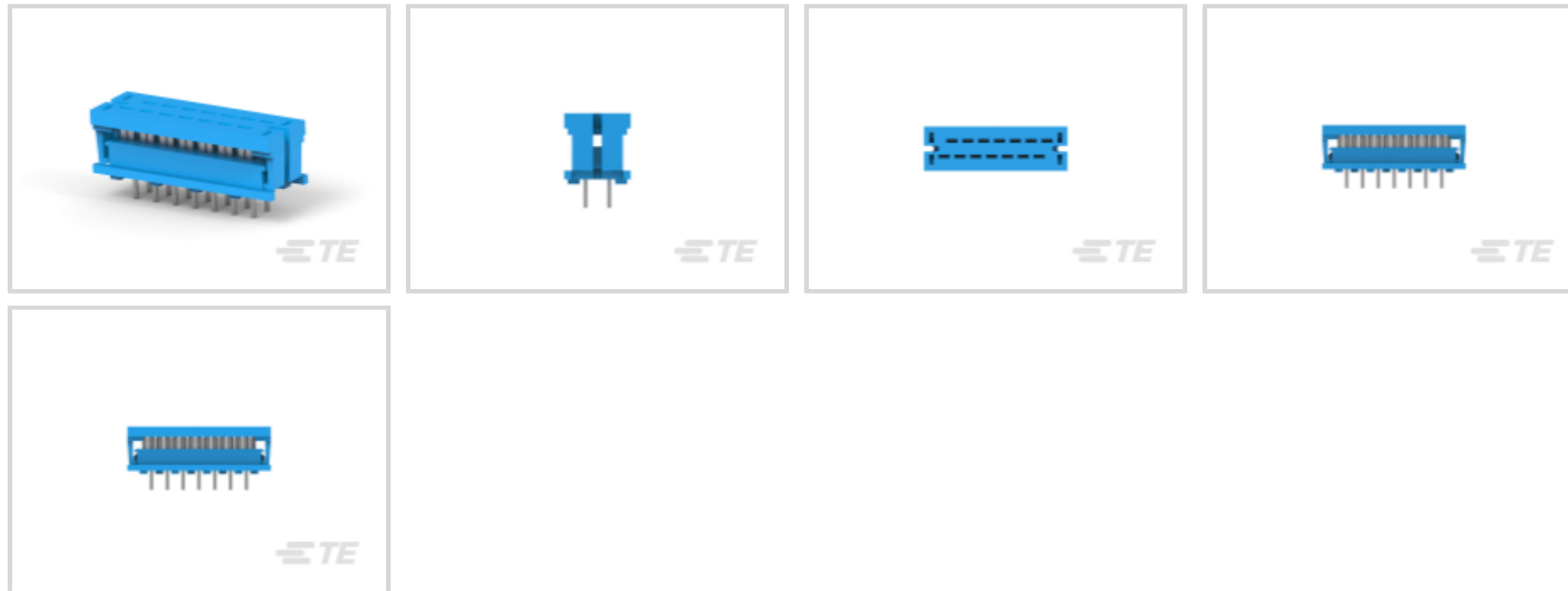
TE Internal #: 1658525-7

Ribbon Cable Connectors, Wire-to-Board, 14 Position, 2.54 mm [.1 in] Centerline, Vertical, Through Hole - Solder, 2 Row, Plug

[View on TE.com >](#)



Connectors > PCB Connectors > Wire-to-Board Connectors > FFC, FPC & Ribbon Connectors > Ribbon Cable Connectors



Connector System: **Wire-to-Board**

Number of Positions: **14**

Centerline (Pitch): **2.54 mm [.1 in]**

PCB Mount Retention: **Without**

PCB Mount Orientation: **Vertical**

### Features

#### Product Type Features

|                                    |                                     |
|------------------------------------|-------------------------------------|
| Ribbon Cable Connector Header Type | Shrouded                            |
| Connector Product Type             | Connector Assembly                  |
| Connector System                   | Wire-to-Board                       |
| Connector & Housing Type           | Plug                                |
| Connector & Contact Terminates To  | Printed Circuit Board, Wire & Cable |

#### Configuration Features

|                       |          |
|-----------------------|----------|
| Number of Positions   | 14       |
| PCB Mount Orientation | Vertical |
| Number of Rows        | 2        |

#### Body Features

|                       |      |
|-----------------------|------|
| Primary Product Color | Blue |
|-----------------------|------|

#### Contact Features

|   |                  |
|---|------------------|
| PCB Contact Termination Area Plating Material Thickness | 2.54 µm[100 µin] |
| Wire Contact Termination Area Plating Thickness         | 2.54 µm[100 µin] |



|  |     |
|--|-----|
| Wire Contact Termination Area Plating Material | Tin |
| Contact Mating Area Plating Material           | Tin |
| PCB Contact Termination Area Plating Material  | Tin |
| Contact Current Rating (Max)                   | 1 A |

### Termination Features

|   |                               |
|---|-------------------------------|
| Rectangular Termination Post & Tail Thickness | .36 mm[.014 in]               |
| Rectangular Termination Post & Tail Width     | .46 mm[.018 in]               |
| Termination Method to Wire & Cable            | Insulation Displacement (IDC) |
| Termination Method to Printed Circuit Board   | Through Hole - Solder         |

### Mechanical Attachment

|                         |             |
|-------------------------|-------------|
| PCB Mount Retention     | Without     |
| Mating Retention        | Without     |
| Connector Mounting Type | Board Mount |

### Housing Features

|                    |                |
|--------------------|----------------|
| Centerline (Pitch) | 2.54 mm[.1 in] |
|--------------------|----------------|

### Dimensions

|                    |                |
|--------------------|----------------|
| Row-to-Row Spacing | 2.54 mm[.1 in] |
|--------------------|----------------|

### Usage Conditions

|                             |                            |
|-----------------------------|----------------------------|
| Operating Temperature Range | -55 – 125 °C[-67 – 257 °F] |
|-----------------------------|----------------------------|

### Operation/Application

|                     |        |
|---------------------|--------|
| Circuit Application | Signal |
|---------------------|--------|

## Product Compliance

For compliance documentation, visit the product page on [TE.com](https://www.te.com)>

|   |  |
|---|--|
| EU RoHS Directive 2011/65/EU                  | Compliant  |
| EU ELV Directive 2000/53/EC                   | Compliant  |
| China RoHS 2 Directive MIIT Order No 32, 2016 | No Restricted Materials Above Threshold  |
| EU REACH Regulation (EC) No. 1907/2006        | Current ECHA Candidate List: JUNE 2024 (241)<br>Candidate List Declared Against: JAN 2024 (240)<br>Does not contain REACH SVHC |
| Halogen Content                               | Not Low Halogen - contains Br or Cl > 900 ppm.   |

Solder Process Capability

Wave solder capable to 265°C

Product Compliance Disclaimer

This information is provided based on reasonable inquiry of our suppliers and represents our current actual knowledge based on the information they provided. This information is subject to change. The part numbers that TE has identified as EU RoHS compliant have a maximum concentration of 0.1% by weight in homogenous materials for lead, hexavalent chromium, mercury, PBB, PBDE, DBP, BBP, DEHP, DIBP, and 0.01% for cadmium, or qualify for an exemption to these limits as defined in the Annexes of Directive 2011/65/EU (RoHS2). Finished electrical and electronic equipment products will be CE marked as required by Directive 2011/65/EU. Components may not be CE marked. Additionally, the part numbers that TE has identified as EU ELV compliant have a maximum concentration of 0.1% by weight in homogenous materials for lead, hexavalent chromium, and mercury, and 0.01% for cadmium, or qualify for an exemption to these limits as defined in the Annexes of Directive 2000/53/EC (ELV). Regarding the REACH Regulation, the information TE provides on SVHC in articles for this part number is based on the latest European Chemicals Agency (ECHA) 'Guidance on requirements for substances in articles' posted at this URL: <https://echa.europa.eu/guidance-documents/guidance-on-reach>

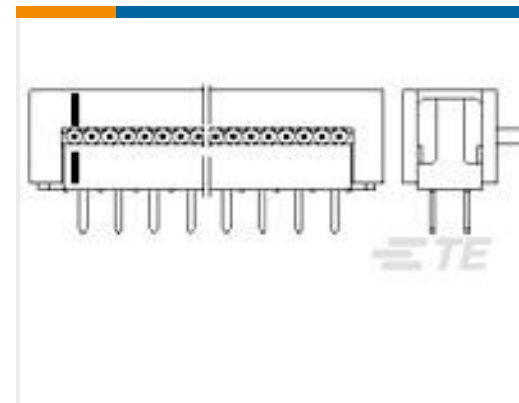
### Compatible Parts



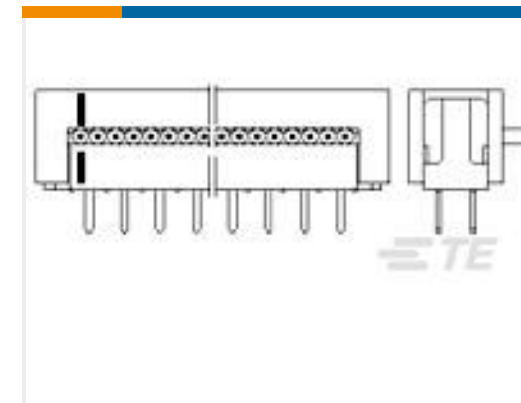
TE Part # 2-746610-2  
014 DIP PLUG 100CL TIN



TE Part # 1-216093-4  
AMP-LATCH PRE-ASSY DIL WITHO



TE Part # 1-216791-4  
AMP LATCH D/P ASSY



TE Part # 1-216119-4  
AMP-LATCH PRE-ASSY DIL TAPE

### Customers Also Bought



TE Part #2040008-1  
INDUSTRIAL MINI I/O PLUG KIT D2



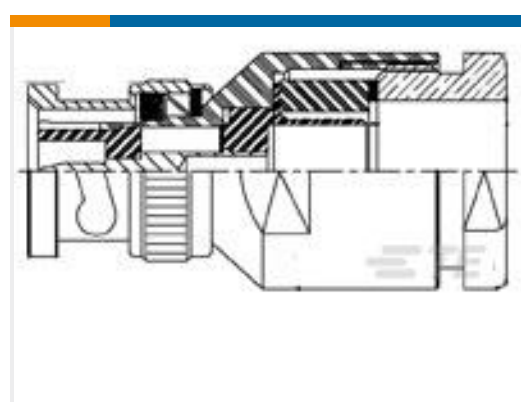
TE Part #7-1879233-5  
SMW5 120R 5%



TE Part #4-1879208-1  
CPF 0402 470R 0.1% 25PPM 1K RL



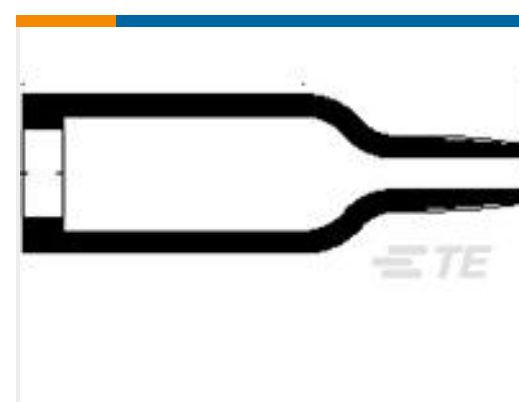
TE Part #4-1614884-3  
CPF 0805 120R 0.1% 25PPM 1K RL



TE Part #1-1478401-0  
BNC Str Plg PS 50Ohm Silver RG58C /U, 141



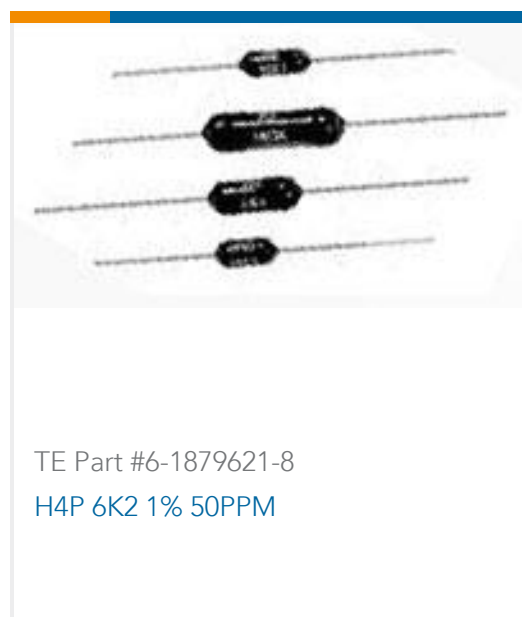
TE Part #1-1623728-2  
BCHE 11 W 22K 5%



TE Part #D83327-000  
204W511-25-0



TE Part #2176315-2  
MELF SMA\_A 120R 0.1% 15PPM 0204 0.4W



## Documents

### Product Drawings

[622-1453LF, PCB IDC, LEAD FREE](#)

English

### CAD Files

[3D PDF](#)

3D

Customer View Model

[ENG\\_CVM\\_CVM\\_1658525-7\\_B.2d\\_dxf.zip](#)

English

Customer View Model

[ENG\\_CVM\\_CVM\\_1658525-7\\_B.3d\\_igs.zip](#)

English

Customer View Model

[ENG\\_CVM\\_CVM\\_1658525-7\\_B.3d\\_stp.zip](#)

English

By downloading the CAD file I accept and agree to the [Terms and Conditions](#) of use.

### Datasheets & Catalog Pages

[Ribbon Cable Interconnect Solutions](#)

English