

PLEASE CHECK WWW.MOLEX.COM FOR LATEST PART INFORMATION

Part Number: [62100-6000](#)
Status: **Active**
Description: Extractor Tool for Connectors

Documents:
[RoHS Certificate of Compliance \(PDF\)](#)

General

Product Family	Application Tooling
Series	T9999
Comments	See Tooling Specification (PDF) Above
Function	Insertion/Extraction
Geographic Area	Global
Level of Automation	Semi-Automatic
More Detailed Tech Information	applicationtooling@molex.com
Product Name	Picoflex®
Survey	www.molex.com//review/apptool_survey.html
Tool Type	Others
UPC	883906855192

Material Info

Reference - Drawing Numbers

Application Tooling Documents	ATS-621006000
-------------------------------	---------------

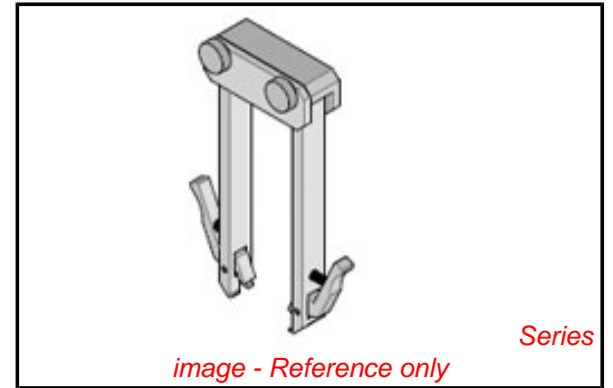


image - Reference only

EU RoHS	China RoHS
----------------	-------------------

Compliance Status

Not Reviewed

REACH SVHC

Not Reviewed

Low-Halogen Status

Not Reviewed

Need more information on product environmental compliance?

Email productcompliance@molex.com
 For a multiple part number RoHS Certificate of Compliance, [click here](#)

Please visit the [Contact Us](#) section for any non-product compliance questions.

Search Parts in this Series

T9999Series

Use With

Picoflex™ Connectors with 4 to 26 Circuits
 90327 , 90779 , 90814 , 91819

Application Tooling	FAQ
Description	Product #

1.27mm Pitch Picoflex® PF-50, Low Profile, IDT Receptacle, 4 Circuits, White, Gold (Au) Plated, Reeling Option A	0903273304
--	------------

1.27mm Pitch Picoflex® PF-50, Low Profile, IDT Receptacle, 8 Circuits, White, Tin (Sn) Plated, Reeling Option A	0903270308
---	------------

1.27mm Pitch Picoflex® PF-50,	0903270312
----------------------------------	------------

1.27mm Pitch Picoflex® PF-50,	
----------------------------------	--

1.27mm Pitch Picoflex® PF-50,	
----------------------------------	--

1.27mm Pitch Picoflex® PF-50,	
----------------------------------	--

1.27mm Pitch Picoflex® PF-50,	
----------------------------------	--

1.27mm Pitch Picoflex® PF-50,	
----------------------------------	--

1.27mm Pitch Picoflex® PF-50,	
----------------------------------	--

1.27mm Pitch Picoflex® PF-50,	
----------------------------------	--

1.27mm Pitch Picoflex® PF-50,	
----------------------------------	--

1.27mm Pitch Picoflex® PF-50,	
----------------------------------	--

1.27mm Pitch Picoflex® PF-50,	
----------------------------------	--

1.27mm Pitch Picoflex® PF-50,	
----------------------------------	--

1.27mm Pitch Picoflex® PF-50,	
----------------------------------	--

1.27mm Pitch Picoflex® PF-50,	
----------------------------------	--

Low Profile, IDT Receptacle, 12 Circuits, White, Tin (Sn) Plated, Reeling Option A 1.27mm Pitch	0903270304
Picoflex® PF-50, Low Profile, IDT Receptacle, 4 Circuits, White, Tin (Sn) Plated, Reeling Option A 1.27mm Pitch	0903270314
Picoflex® PF-50, Low Profile, IDT Receptacle, 14 Circuits, White, Tin (Sn) Plated, Reeling Option A 1.27mm Pitch	0903270386
Picoflex® PF-50, Low Profile, IDT Receptacle, 20 Circuits, White, Tin (Sn) Plated, Tin (Sn) Plated, Reeling Option D 1.27mm Pitch	0903270306
Picoflex® PF-50, Low Profile, IDT Receptacle, 6 Circuits, White, Tin (Sn) Plated, Reeling Option A 1.27mm Pitch	0903270320
Picoflex® PF-50, Low Profile, IDT Receptacle, 20 Circuits, White, Tin (Sn) Plated, Reeling Option A 1.27mm Pitch	0903270318
Picoflex® PF-50, Low Profile, IDT Receptacle, 18 Circuits, White, Tin (Sn) Plated, Reeling Option A 1.27mm Pitch	0903270326
Picoflex® PF-50, Low Profile, IDT Receptacle, 26 Circuits, White, Tin (Sn) Plated, Reeling Option A 1.27mm Pitch	0903273320
Picoflex® PF-50, Low Profile, IDT Receptacle, 20 Circuits, White, Gold (Au) Plated, Reeling Option A 1.27mm Pitch	0903270310
Picoflex® PF-50, Low Profile, IDT	

Receptacle, 10 Circuits, White, Tin (Sn) Plated, Reeling Option A 1.27mm Pitch	0903270316
Picoflex® PF-50, Low Profile, IDT Receptacle, 16 Circuits, White, Tin (Sn) Plated, Reeling Option A 1.27mm Pitch	0903270354
Picoflex® PF-50, Low Profile, IDT Receptacle, 4 Circuits, White, Tin (Sn) Plated, Reeling Option D 1.27mm Pitch	0903270360
Picoflex® PF-50, Low Profile, IDT Receptacle, 8 Circuits, White, Tin (Sn) Plated, Reeling Option B 1.27mm Pitch	0903270362
Picoflex® PF-50, Low Profile, IDT Receptacle, 8 Circuits, White, Tin (Sn) Plated, Reeling Option D 1.27mm Pitch	0903270365
Picoflex® PF-50, Low Profile, IDT Receptacle, 10 Circuits, White, Tin (Sn) Plated, Tin (Sn) Plated, Reeling Option C 1.27mm Pitch	0903270372
Picoflex® PF-50, Low Profile, IDT Receptacle, 14 Circuits, White, Tin (Sn) Plated, Tin (Sn) Plated, Reeling Option B 1.27mm Pitch	0903270373
Picoflex® PF-50, Low Profile, IDT Receptacle, 14 Circuits, White, Tin (Sn) Plated, Tin (Sn) Plated, Reeling Option C 1.27mm Pitch	0903270390
Picoflex® PF-50, Low Profile, IDT Receptacle, 26 Circuits, White, Tin (Sn) Plated, Tin (Sn) Plated, Reeling Option D	

1.27mm Pitch Picoflex® PF-50, Low Profile, IDT Receptacle, 16 Circuits, White, Gold (Au) Plated, Reeling Option B	0903273376
1.27mm Pitch Picoflex® PF-50, Low Profile, IDT Receptacle, 12 Circuits, White, Gold (Au) Plated, Reeling Option B	0903273368
1.27mm Pitch Picoflex® PF-50, Low Profile, IDT Receptacle, 14 Circuits, White, Gold (Au) Plated, Reeling Option A	0903273371
1.27mm Pitch Picoflex® PF-50, Low Profile, IDT Receptacle, 14 Circuits, White, Gold (Au) Plated, Reeling Option B	0903273372
1.27mm Pitch Picoflex® PF-50, Low Profile, IDT Receptacle, 14 Circuits, White, Gold (Au) Plated, Reeling Option D	0903273374
1.27mm Pitch Picoflex® PF-50, Low Profile, IDT Receptacle, 18 Circuits, White, Gold (Au) Plated, Reeling Option B	0903273380
1.27mm Pitch Picoflex® PF-50, Low Profile, IDT Receptacle, 20 Circuits, White, Gold (Au) Plated, Reeling Option B	0903273384
1.27mm Pitch Picoflex® PF-50, Low Profile, IDT Receptacle, 26 Circuits, White, Gold (Au) Plated, Reeling Option B	0903273388
1.27mm Pitch Picoflex® PF-50, Low Profile, IDT Receptacle, 26 Circuits, White, Gold (Au) Plated, Reeling Option C	0903273389
1.27mm Pitch Picoflex® PF-50,	0903270397

Low Profile, IDT Receptacle, 24 Circuits, White, Tin (Sn) Plated, Tin (Sn) Plated, Reeling Option C 1.27mm Pitch	0903270351
Picoflex® PF-50, Low Profile, IDT Receptacle, 4 Circuits, White, Tin (Sn) Plated, Reeling Option A 1.27mm Pitch	0903270393
Picoflex® PF-50, Low Profile, IDT Receptacle, 22 Circuits, White, Tin (Sn) Plated, Tin (Sn) Plated, Reeling Option C 1.27mm Pitch	0903270387
Picoflex® PF-50, Low Profile, IDT Receptacle, 26 Circuits, White, Tin (Sn) Plated, Tin (Sn) Plated, Reeling Option A 1.27mm Pitch	0903270388
Picoflex® PF-50, Low Profile, IDT Receptacle, 26 Circuits, White, Tin (Sn) Plated, Tin (Sn) Plated, Reeling Option B 1.27mm Pitch	0903270389
Picoflex® PF-50, Low Profile, IDT Receptacle, 26 Circuits, White, Tin (Sn) Plated, Tin (Sn) Plated, Reeling Option C 1.27mm Pitch	0903270322
Picoflex® PF-50, Low Profile, IDT Receptacle, 22 Circuits, White, Tin (Sn) Plated, Reeling Option A 1.27mm Pitch	0903270324
Picoflex® PF-50, Low Profile, IDT Receptacle, 24 Circuits, White, Tin (Sn) Plated, Reeling Option A 1.27mm Pitch	0903270352
Picoflex® PF-50, Low Profile, IDT Receptacle, 4 Circuits, White, Tin	

(Sn) Plated, Reeling Option B 1.27mm Pitch Picoflex® PF-50, Low Profile, IDT Receptacle, 4 Circuits, White, Tin	0903270353
(Sn) Plated, Reeling Option C 1.27mm Pitch Picoflex® PF-50, Low Profile, IDT Receptacle, 6 Circuits, White, Tin	0903270355
(Sn) Plated, Reeling Option A 1.27mm Pitch Picoflex® PF-50, Low Profile, IDT Receptacle, 6 Circuits, White, Tin	0903270356
(Sn) Plated, Reeling Option B 1.27mm Pitch Picoflex® PF-50, Low Profile, IDT Receptacle, 6 Circuits, White, Tin	0903270357
(Sn) Plated, Reeling Option C 1.27mm Pitch Picoflex® PF-50, Low Profile, IDT Receptacle, 6 Circuits, White, Tin	0903270358
(Sn) Plated, Reeling Option D 1.27mm Pitch Picoflex® PF-50, Low Profile, IDT Receptacle, 8 Circuits, White, Tin	0903270359
(Sn) Plated, Reeling Option A 1.27mm Pitch Picoflex® PF-50, Low Profile, IDT Receptacle, 8 Circuits, White, Tin	0903270361
(Sn) Plated, Reeling Option C 1.27mm Pitch Picoflex® PF-50, Low Profile, IDT Receptacle, 10 Circuits, White, Tin	0903270363
(Sn) Plated, Tin (Sn) Plated, Reeling Option A 1.27mm Pitch Picoflex® PF-50, Low Profile, IDT Receptacle, 10 Circuits, White, Tin	0903270364
(Sn) Plated, Tin	

