

PLEASE CHECK WWW.MOLEX.COM FOR LATEST PART INFORMATION

Part Number: [62100-2000](#)
Status: **Active**
Description: IDT - Manual - Handtool

Documents:
[RoHS Certificate of Compliance \(PDF\)](#)

General

Product Family	Application Tooling
Series	T9999
Comments	Module for Milli-Grid™
Function	Insulation Displacement (IDT)
Geographic Area	Global
Level of Automation	Manual
More Detailed Tech Information	applicationtooling@molex.com
Product Name	N/A
Survey	www.molex.com//review/apptool_survey.html
Tool Type	Handtool
UPC	800753942936

Physical

Net Weight 423.690/g

Material Info

Reference - Drawing Numbers

Application Tooling Documents [ATS-621002000, TM-011316356](#)

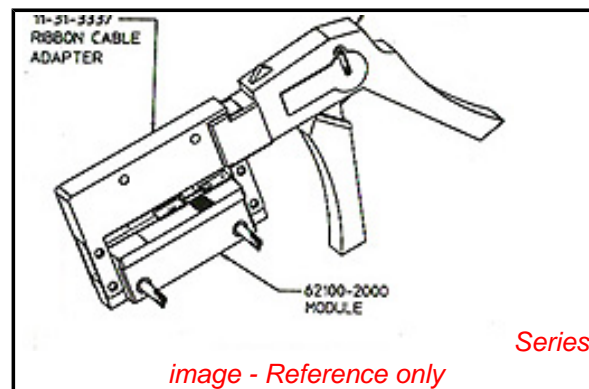


image - Reference only

EU RoHS **China RoHS**

Compliance Status

Not Reviewed

REACH SVHC

Not Reviewed

Low-Halogen Status

Not Reviewed

Need more information on product environmental compliance?

Email productcompliance@molex.com
 For a multiple part number RoHS Certificate of Compliance, [click here](#)

Please visit the [Contact Us](#) section for any non-product compliance questions.

Search Parts in this Series

T9999Series

Use With

63600-0478

Application Tooling | **FAQ**
Description | **Product #**

2.00mm Pitch Milli-Grid™ Cable-to-Board Receptacle, Dual Row, IDT, Lead-Free, 10 Circuits, 0.38µm Gold (Au) Selective Plating, without Center Polarization Key, with Locking Friction Ramp	0875681073
2.00mm Pitch Milli-Grid™ Cable-to-Board Receptacle, Dual Row, IDT, Lead-Free, 10 Circuits, 0.38µm	0875681063

Gold (Au) Selective Plating, without Center Polarization Key and Locking Friction Ramp 2.00mm Pitch Milli- Grid™ Cable-to- Board Receptacle, Dual Row, IDT, Lead-Free, 10 Circuits, 0.76µm	0875681064
Gold (Au) Selective Plating, without Center Polarization Key and Locking Friction Ramp 2.00mm Pitch Milli- Grid™ Cable-to- Board Receptacle, Dual Row, IDT, Lead-Free, 10 Circuits, 0.76µm	0875681074
Gold (Au) Selective Plating, without Center Polarization Key, with Locking Friction Ramp 2.00mm Pitch Milli- Grid™ Cable-to- Board Receptacle, Dual Row, IDT, Lead-Free, 12 Circuits, 0.38µm	0875681263
Gold (Au) Selective Plating, without Center Polarization Key and Locking Friction Ramp 2.00mm Pitch Milli- Grid™ Cable-to- Board Receptacle, Dual Row, IDT, Lead-Free, 12 Circuits, 0.76µm	0875681264
Gold (Au) Selective Plating, without Center Polarization Key and Locking Friction Ramp 2.00mm Pitch Milli- Grid™ Cable-to- Board Receptacle, Dual Row, IDT, Lead-Free, 12 Circuits, 0.38µm	0875681273
Gold (Au) Selective Plating, without Center Polarization Key, with Locking Friction Ramp 2.00mm Pitch Milli- Grid™ Cable-to- Board Receptacle, Dual Row, IDT, Lead-Free, 12	0875681274

Circuits, 0.76µm
Gold (Au) Selective
Plating, without
Center Polarization
Key, with Locking
Friction Ramp
2.00mm Pitch Milli- 0875681443
Grid™ Cable-to-
Board Receptacle,
Dual Row, IDT,
Lead-Free, 14
Circuits, 0.38µm
Gold (Au) Selective
Plating, with Center
Polarization Key,
without Locking
Friction Ramp
2.00mm Pitch Milli- 0875681444
Grid™ Cable-to-
Board Receptacle,
Dual Row, IDT,
Lead-Free, 14
Circuits, 0.76µm
Gold (Au) Selective
Plating, with Center
Polarization Key,
without Locking
Friction Ramp
2.00mm Pitch Milli- 0875681463
Grid™ Cable-to-
Board Receptacle,
Dual Row, IDT,
Lead-Free, 14
Circuits, 0.38µm
Gold (Au) Selective
Plating, without
Center Polarization
Key and Locking
Friction Ramp
2.00mm Pitch Milli- 0875681493
Grid™ Cable-to-
Board Receptacle,
Dual Row, IDT,
Lead-Free, 14
Circuits, 0.38µm
Gold (Au) Selective
Plating, with Center
Polarization Key
and Locking Friction
Ramp
2.00mm Pitch Milli- 0875681494
Grid™ Cable-to-
Board Receptacle,
Dual Row, IDT,
Lead-Free, 14
Circuits, 0.76µm
Gold (Au) Selective
Plating, with Center
Polarization Key
and Locking Friction
Ramp
2.00mm Pitch Milli- 0875681643
Grid™ Cable-to-
Board Receptacle,
Dual Row, IDT,

Lead-Free, 16
Circuits, 0.38µm
Gold (Au) Selective
Plating, with Center
Polarization Key,
without Locking
Friction Ramp
2.00mm Pitch Milli- 0875681644
Grid™ Cable-to-
Board Receptacle,
Dual Row, IDT,
Lead-Free, 16
Circuits, 0.76µm
Gold (Au) Selective
Plating, with Center
Polarization Key,
without Locking
Friction Ramp
2.00mm Pitch Milli- 0875681663
Grid™ Cable-to-
Board Receptacle,
Dual Row, IDT,
Lead-Free, 16
Circuits, 0.38µm
Gold (Au) Selective
Plating, without
Center Polarization
Key and Locking
Friction Ramp
2.00mm Pitch Milli- 0875681664
Grid™ Cable-to-
Board Receptacle,
Dual Row, IDT,
Lead-Free, 16
Circuits, 0.76µm
Gold (Au) Selective
Plating, without
Center Polarization
Key and Locking
Friction Ramp
2.00mm Pitch Milli- 0875681693
Grid™ Cable-to-
Board Receptacle,
Dual Row, IDT,
Lead-Free, 16
Circuits, 0.38µm
Gold (Au) Selective
Plating, with Center
Polarization Key
and Locking Friction
Ramp
2.00mm Pitch Milli- 0875681694
Grid™ Cable-to-
Board Receptacle,
Dual Row, IDT,
Lead-Free, 16
Circuits, 0.76µm
Gold (Au) Selective
Plating, with Center
Polarization Key
and Locking Friction
Ramp
2.00mm Pitch Milli- 0875682043
Grid™ Cable-to-
Board Receptacle,

Board Receptacle,
Dual Row, IDT,
Lead-Free, 22
Circuits, 0.38 μ m
Gold (Au) Selective
Plating, with Center
Polarization Key,
without Locking
Friction Ramp
2.00mm Pitch Milli- 0875682244
Grid™ Cable-to-
Board Receptacle,
Dual Row, IDT,
Lead-Free, 22
Circuits, 0.76 μ m
Gold (Au) Selective
Plating, with Center
Polarization Key,
without Locking
Friction Ramp
2.00mm Pitch Milli- 0875682263
Grid™ Cable-to-
Board Receptacle,
Dual Row, IDT,
Lead-Free, 22
Circuits, 0.38 μ m
Gold (Au) Selective
Plating, without
Center Polarization
Key and Locking
Friction Ramp
2.00mm Pitch Milli- 0875682293
Grid™ Cable-to-
Board Receptacle,
Dual Row, IDT,
Lead-Free, 22
Circuits, 0.38 μ m
Gold (Au) Selective
Plating, with Center
Polarization Key
and Locking Friction
Ramp
2.00mm Pitch Milli- 0875682294
Grid™ Cable-to-
Board Receptacle,
Dual Row, IDT,
Lead-Free, 22
Circuits, 0.76 μ m
Gold (Au) Selective
Plating, with Center
Polarization Key
and Locking Friction
Ramp
2.00mm Pitch Milli- 0875682443
Grid™ Cable-to-
Board Receptacle,
Dual Row, IDT,
Lead-Free, 24
Circuits, 0.38 μ m
Gold (Au) Selective
Plating, with Center
Polarization Key,
without Locking
Friction Ramp

2.00mm Pitch Milli- Grid™ Cable-to- Board Receptacle, Dual Row, IDT, Lead-Free, 24 Circuits, 0.76µm Gold (Au) Selective Plating, with Center Polarization Key, without Locking Friction Ramp	0875682444
2.00mm Pitch Milli- Grid™ Cable-to- Board Receptacle, Dual Row, IDT, Lead-Free, 24 Circuits, 0.38µm Gold (Au) Selective Plating, without Center Polarization Key and Locking Friction Ramp	0875682463
2.00mm Pitch Milli- Grid™ Cable-to- Board Receptacle, Dual Row, IDT, Lead-Free, 24 Circuits, 0.38µm Gold (Au) Selective Plating, with Center Polarization Key and Locking Friction Ramp	0875682493
2.00mm Pitch Milli- Grid™ Cable-to- Board Receptacle, Dual Row, IDT, Lead-Free, 26 Circuits, 0.38µm Gold (Au) Selective Plating, with Center Polarization Key, without Locking Friction Ramp	0875682643
2.00mm Pitch Milli- Grid™ Cable-to- Board Receptacle, Dual Row, IDT, Lead-Free, 26 Circuits, 0.76µm Gold (Au) Selective Plating, with Center Polarization Key, without Locking Friction Ramp	0875682644
2.00mm Pitch Milli- Grid™ Cable-to- Board Receptacle, Dual Row, IDT, Lead-Free, 26 Circuits, 0.38µm Gold (Au) Selective Plating, without Center Polarization	0875682663

Key and Locking Friction Ramp	
2.00mm Pitch Milli-Grid™ Cable-to-Board Receptacle, Dual Row, IDT, Lead-Free, 26 Circuits, 0.38μm Gold (Au) Selective Plating, with Center Polarization Key and Locking Friction Ramp	0875682693
2.00mm Pitch Milli-Grid™ Cable-to-Board Receptacle, Dual Row, IDT, Lead-Free, 26 Circuits, 0.76μm Gold (Au) Selective Plating, with Center Polarization Key and Locking Friction Ramp	0875682694
2.00mm Pitch Milli-Grid™ Cable-to-Board Receptacle, Dual Row, IDT, Lead-Free, 30 Circuits, 0.38μm Gold (Au) Selective Plating, with Center Polarization Key, without Locking Friction Ramp	0875683043
2.00mm Pitch Milli-Grid™ Cable-to-Board Receptacle, Dual Row, IDT, Lead-Free, 30 Circuits, 0.76μm Gold (Au) Selective Plating, with Center Polarization Key, without Locking Friction Ramp	0875683044
2.00mm Pitch Milli-Grid™ Cable-to-Board Receptacle, Dual Row, IDT, Lead-Free, 30 Circuits, 0.38μm Gold (Au) Selective Plating, without Center Polarization Key and Locking Friction Ramp	0875683063
2.00mm Pitch Milli-Grid™ Cable-to-Board Receptacle, Dual Row, IDT, Lead-Free, 30 Circuits, 0.76μm Gold (Au) Selective Plating, without	0875683064

Center Polarization Key and Locking Friction Ramp 2.00mm Pitch Milli- Grid™ Cable-to- Board Receptacle, Dual Row, IDT, Lead-Free, 30 Circuits, 0.38μm Gold (Au) Selective Plating, with Center Polarization Key and Locking Friction Ramp	0875683093
2.00mm Pitch Milli- Grid™ Cable-to- Board Receptacle, Dual Row, IDT, Lead-Free, 30 Circuits, 0.76μm Gold (Au) Selective Plating, with Center Polarization Key and Locking Friction Ramp	0875683094
2.00mm Pitch Milli- Grid™ Cable-to- Board Receptacle, Dual Row, IDT, Lead-Free, 34 Circuits, 0.38μm Gold (Au) Selective Plating, with Center Polarization Key, without Locking Friction Ramp	0875683443
2.00mm Pitch Milli- Grid™ Cable-to- Board Receptacle, Dual Row, IDT, Lead-Free, 34 Circuits, 0.76μm Gold (Au) Selective Plating, with Center Polarization Key, without Locking Friction Ramp	0875683444
2.00mm Pitch Milli- Grid™ Cable-to- Board Receptacle, Dual Row, IDT, Lead-Free, 34 Circuits, 0.38μm Gold (Au) Selective Plating, without Center Polarization Key and Locking Friction Ramp	0875683463
2.00mm Pitch Milli- Grid™ Cable-to- Board Receptacle, Dual Row, IDT, Lead-Free, 34 Circuits, 0.38μm Gold (Au) Selective	0875683493

Plating, with Center
Polarization Key
and Locking Friction
Ramp
2.00mm Pitch Milli- 0875683494
Grid™ Cable-to-
Board Receptacle,
Dual Row, IDT,
Lead-Free, 34
Circuits, 0.76µm
Gold (Au) Selective
Plating, with Center
Polarization Key
and Locking Friction
Ramp

This document was generated on 04/29/2013

PLEASE CHECK WWW.MOLEX.COM FOR LATEST PART INFORMATION