



621 SERIES 22 mm Heavy Duty Tri-Color Panel Mount Indicators

MECHANICAL / SPECIFICATIONS

MOUNTING HOLE SIZE:
0.866" (22 mm)

MAX PANEL THICKNESS:
0.394" (10 mm)

MOUNTING TORQUE:
7.01 lbs-ft (9.5 Nm)

OPERATING VOLTAGE:
3, 6, 12 & 24 VDC
(internal resistor included)

OPERATING TEMP:
-25 °C to +70 °C (-13 °F to 158 °F)

STORAGE TEMP:
-25 °C to +70 °C (-13 °F to 158 °F)

ELECTRICAL CONNECTION:
Solder terminals, Common Cathode

HOUSING:
Stainless Steel

TERMINALS:
Stainless Steel

NUT:
Stainless Steel

CERTIFICATIONS & RATINGS

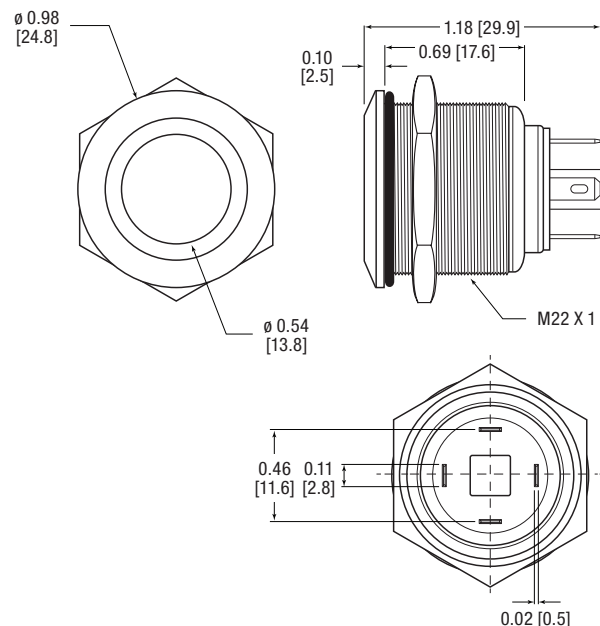
RoHS compliant
IP66/IP67
IK10
NEMA 4X

APPLICATION

The 621 Series Heavy Duty LED Panel Mount Indicators are elegantly designed for a high-end aesthetic paired with sturdy construction. These indicators are non-magnetic, corrosion resistant for both indoor and outdoor use, and secured to prevent dirt, dust, and water penetration. Ideal for a variety of applications such as:

- Main power indication
- Remote power indication
- Status indication
- Maintenance and warning indication
- Instrumentation

DIMENSIONS inches [mm]



Please use the markings on the housing to properly connect this part for normal operation.

ORDERING INFORMATION

DIFFUSED LENS

Part Number	Tri-Color	Voltage (V DC)	Current (mA)	Intensity Typ. (mcd)
621-1121-304F	<ul style="list-style-type: none"> ● Red ● Green ● Blue 	3	15	<ul style="list-style-type: none"> ● Red 200 ● Green 250 ● Blue 300
621-1122-304F		6		
621-1123-304F		12		
621-1124-304F		24		
621-1141-304F	<ul style="list-style-type: none"> ● Red ● Green ● Blue 	3	15	<ul style="list-style-type: none"> ● Red 115 ● Green 110 ● Blue 435
621-1142-304F		6		
621-1143-304F		12		
621-1144-304F		24		

CLEAR LENS

621-1121-314F	<ul style="list-style-type: none"> ● Red ● Green ● Blue 	3	15	<ul style="list-style-type: none"> ● Red 200 ● Green 250 ● Blue 300
621-1122-314F		6		
621-1123-314F		12		
621-1124-314F		24		
621-1141-314F	<ul style="list-style-type: none"> ● Red ● Green ● Blue 	3	15	<ul style="list-style-type: none"> ● Red 115 ● Green 110 ● Blue 435
621-1142-314F		6		
621-1143-314F		12		
621-1144-314F		24		



Dialight reserves the right to make changes at any time in order to supply the best product possible. The most current version of this document will always be available at: www.dialightsignalsandcomponents.com

Warranty Statement: Except for the warranty expressly provided for at: www.dialight.com/resources/warranties/, Dialight disclaims any and all other warranties, express or implied, including, without limitation, any warranties of merchantability, fitness for a particular purpose, title, and noninfringement.