



Z-Type Marker

TE Internal #: EC1235-000

Push-On, 18 Marker Size, White, Straight Cut, 8 Marking Details, Width 4.5 mm [.177 in], Black, Flexible PVC, Z-Type Marker, Pre-Printed Markers

[View on TE.com >](#)

Identification & Labeling > Pre-Printed Markers



Marker Style: **Push-On**

Marker Size: **18**

Compatible Cable Diameter Range: **4.3 – 6.9 mm [.17 – .27 in]**

Primary Product Color: **White**

Marker Cut: **Straight**

**Features**

**Body Features**

Marker Style	Push-On
Marker Size	18
Primary Product Color	White
Primary Product Material	Flexible PVC

**Dimensions**

Compatible Cable Diameter Range	4.3 – 6.9 mm [.17 – .27 in]
Product Width	4.5 mm [.177 in]

**Printer/Label Features**

Marker Cut	Straight
Marking Details	8

**Packaging Features**

Packaging Quantity	500
Packaging Method	Box

**Other**

Printed Marking Color	Black
-----------------------	-------

**Product Compliance**



[For compliance documentation, visit the product page on TE.com>](#)

EU RoHS Directive 2011/65/EU	Compliant
EU ELV Directive 2000/53/EC	Compliant
China RoHS 2 Directive MIIT Order No 32, 2016	No Restricted Materials Above Threshold
EU REACH Regulation (EC) No. 1907/2006	Current ECHA Candidate List: JUNE 2024 (241) Candidate List Declared Against: JUNE 2024 (241) Does not contain REACH SVHC
Halogen Content	Not Low Halogen - contains Br or Cl > 900 ppm.
Solder Process Capability	Not applicable for solder process capability

Product Compliance Disclaimer

This information is provided based on reasonable inquiry of our suppliers and represents our current actual knowledge based on the information they provided. This information is subject to change. The part numbers that TE has identified as EU RoHS compliant have a maximum concentration of 0.1% by weight in homogenous materials for lead, hexavalent chromium, mercury, PBB, PBDE, DBP, BBP, DEHP, DIBP, and 0.01% for cadmium, or qualify for an exemption to these limits as defined in the Annexes of Directive 2011/65/EU (RoHS2). Finished electrical and electronic equipment products will be CE marked as required by Directive 2011/65/EU. Components may not be CE marked. Additionally, the part numbers that TE has identified as EU ELV compliant have a maximum concentration of 0.1% by weight in homogenous materials for lead, hexavalent chromium, and mercury, and 0.01% for cadmium, or qualify for an exemption to these limits as defined in the Annexes of Directive 2000/53/EC (ELV). Regarding the REACH Regulation, the information TE provides on SVHC in articles for this part number is based on the latest European Chemicals Agency (ECHA) 'Guidance on requirements for substances in articles' posted at this URL: <https://echa.europa.eu/guidance-documents/guidance-on-reach>

## Compatible Parts



Also in the Series | [Z-Type Marker](#)



Pre-Printed Markers(1369)

## Customers Also Bought



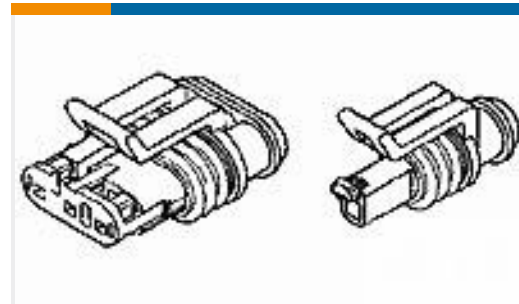
TE Part #DT06-2S  
PLG, 2P, GRY, N



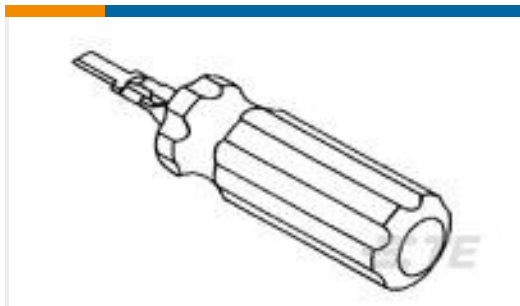
TE Part #0462-209-16141  
DEUTSCH Solid Contacts



TE Part #W2P  
WEDGE LOCK, 2P, REC, GRN, DT



TE Part #282080-1  
AMP SUPERSEAL 1.5 SERIES 2P PL



TE Part #305183  
EXTRACT TOOL TYPE 2 20-16



TE Part #206070-8  
CABLE CLAMP KIT #17



TE Part #114017-ZZ  
SEALING PLUG, SIZE 12/16, WHT

## Documents

### Product Drawings

06201908

English

### Datasheets & Catalog Pages

Z-type Wire & Cable Markers

English

Z-TYPE Marker Technical datasheet

English

### Product Specifications

RW-2535 Specification for Pre-Printed Markers

English