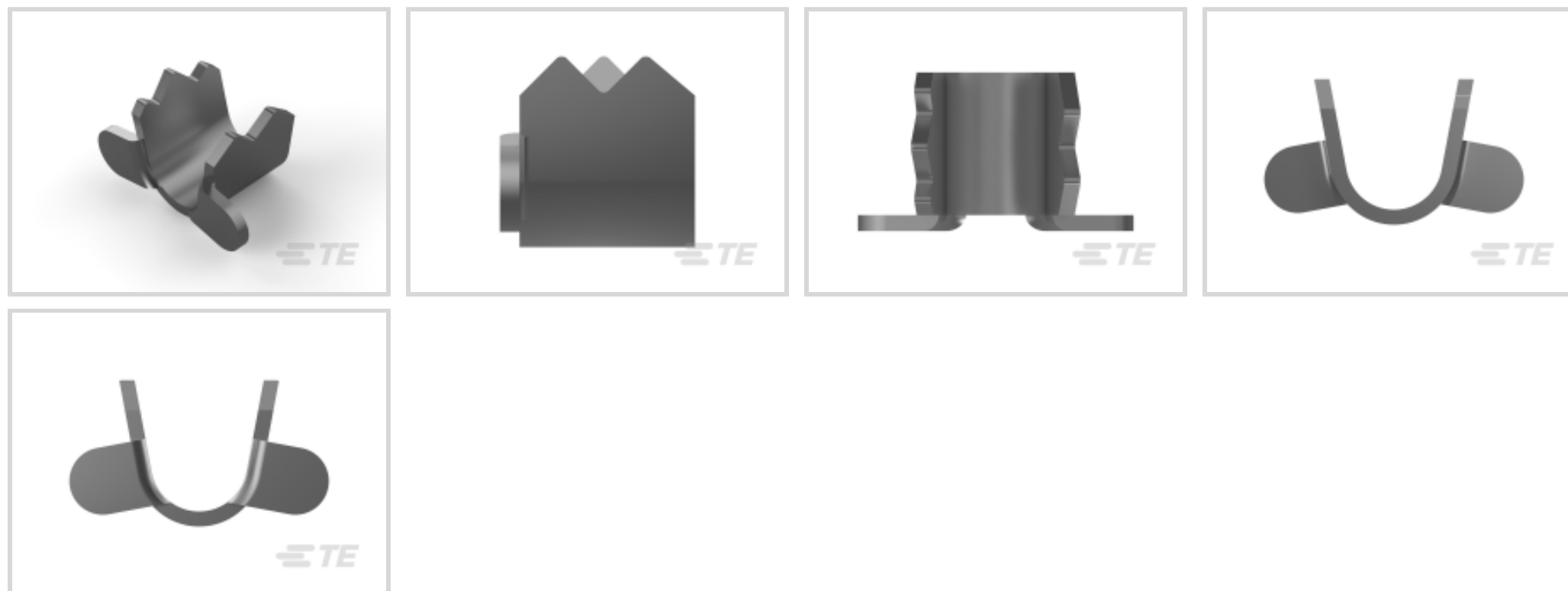




Terminals & Splices > Special Purpose Terminals



Terminal Material Thickness: .71 mm [.028 in]

Terminal Plating Material: Tin

Product Length: 6.35 mm [.25 in]

Packaging Method: Reel

Wire Insulation Support: Without

Features

Product Type Features

Wire Insulation Support Retention Type	Non-Insulation Support
Sealable	No

Contact Features

Terminal Plating Material	Tin
---------------------------	-----

Mechanical Attachment

Wire Insulation Support	Without
-------------------------	---------

Dimensions

Terminal Material Thickness	.71 mm[.028 in]
Product Length	6.35 mm[.25 in]
Compatible Insulation Diameter (Max)	3.81 mm[.15 in]
Compatible Insulation Diameter Range	3.81 mm[.15 in]

Usage Conditions

Insulation Option	Uninsulated
-------------------	-------------

Packaging Features

Packaging Quantity	1500
--------------------	------

Packaging Method

Reel

Product Compliance

[For compliance documentation, visit the product page on TE.com>](#)

EU RoHS Directive 2011/65/EU

Compliant

EU ELV Directive 2000/53/EC

Compliant

China RoHS 2 Directive MIIT Order No 32, 2016

No Restricted Materials Above Threshold

EU REACH Regulation (EC) No. 1907/2006

Current ECHA Candidate List: JUNE 2024 (241)
 Candidate List Declared Against: JUNE 2024 (241)
 Does not contain REACH SVHC

Halogen Content

Low Halogen - Br, Cl, F, I < 900 ppm per homogenous material. Also BFR/CFR/PVC Free

Solder Process Capability

Not applicable for solder process capability

Product Compliance Disclaimer

This information is provided based on reasonable inquiry of our suppliers and represents our current actual knowledge based on the information they provided. This information is subject to change. The part numbers that TE has identified as EU RoHS compliant have a maximum concentration of 0.1% by weight in homogenous materials for lead, hexavalent chromium, mercury, PBB, PBDE, DBP, BBP, DEHP, DIBP, and 0.01% for cadmium, or qualify for an exemption to these limits as defined in the Annexes of Directive 2011/65/EU (RoHS2). Finished electrical and electronic equipment products will be CE marked as required by Directive 2011/65/EU. Components may not be CE marked. Additionally, the part numbers that TE has identified as EU ELV compliant have a maximum concentration of 0.1% by weight in homogenous materials for lead, hexavalent chromium, and mercury, and 0.01% for cadmium, or qualify for an exemption to these limits as defined in the Annexes of Directive 2000/53/EC (ELV). Regarding the REACH Regulation, the information TE provides on SVHC in articles for this part number is based on the latest European Chemicals Agency (ECHA) 'Guidance on requirements for substances in articles' posted at this URL: <https://echa.europa.eu/guidance-documents/guidance-on-reach>

Customers Also Bought



TE Part #1-745492-8
09 HDE MS PLUG, 22-26, LEAD FREE



TE Part #1-745491-7
09 HDE MS RCPT, 22-26, LEAD FREE



TE Part #5177983-5
0.8FH, R05H.5, 120, 08/Sn, TU



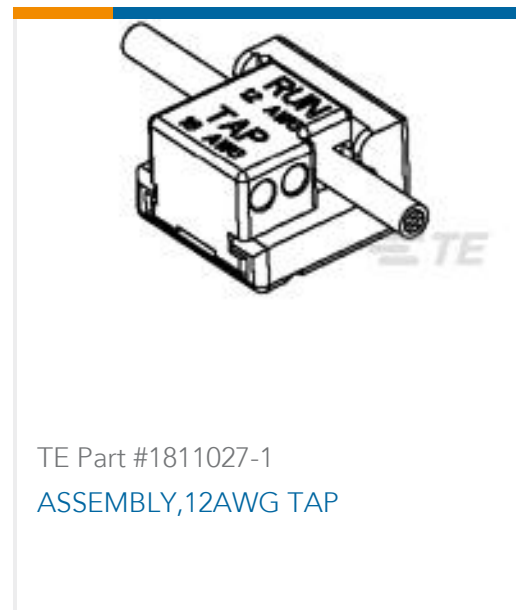
TE Part #292303-1
Std USB Type A, R/A, T/H



TE Part #205090-1
HD 20 SOCKET CONTACT



TE Part #60798-4
SHUR PLUG 180 RECEPTACLE 18-14
AWG TPBR



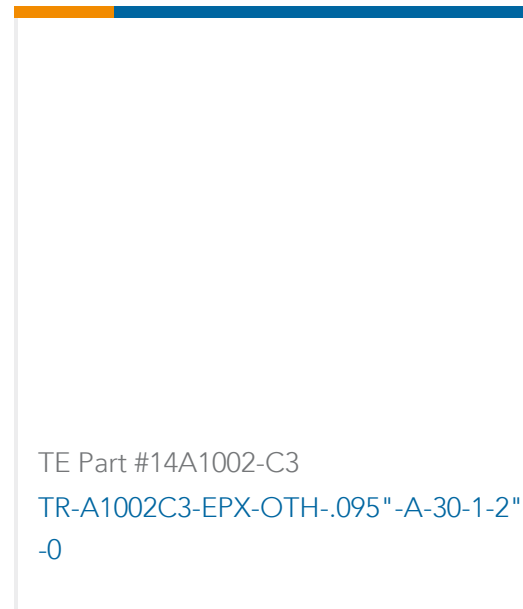
TE Part #1811027-1
ASSEMBLY, 12AWG TAP



TE Part #9-1879333-1
CPF0402 200K 0.1% 25PPM 5K RL



TE Part #2023308-3
(LCEDI) SR interface Rec conn 40pos



TE Part #14A1002-C3
TR-A1002C3-EPX-OTH-.095"-A-30-1-2"
-0

Documents

Product Drawings

WING TYPE STRAIN RELIEF TPST

English

CAD Files

3D PDF

3D

Customer View Model

[ENG_CVM_CVM_61831-1_P.2d_dxf.zip](#)

English

Customer View Model

[ENG_CVM_CVM_61831-1_P.3d_igs.zip](#)

English

Customer View Model

[ENG_CVM_CVM_61831-1_P.3d_stp.zip](#)

English

By downloading the CAD file I accept and agree to the [Terms and Conditions](#) of use.