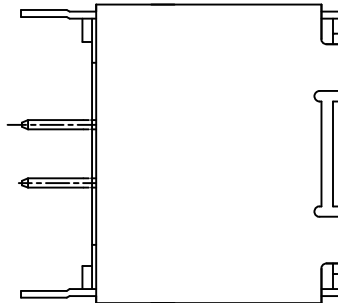
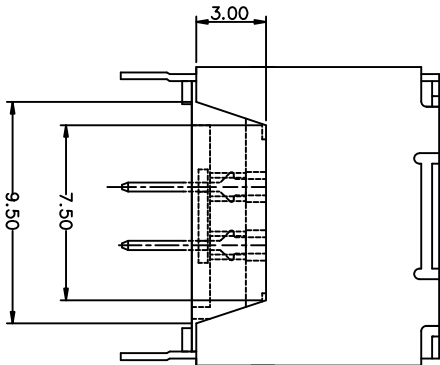


PRODUCT NO.
61729



TYPE "1" FULL BACK



TYPE "2" PARTIAL BACK

- NOTES:
1. MATERIAL:
SHIELD & CONTACTS: COPPER ALLOY
HOUSING: UL 94V-0 THERMOPLASTIC. COLOR: SEE PRODUCT NUMBER CODE.
 2. PLATING: SEE PRODUCT NUMBER CODE.
SHIELD: BRIGHT TIN
NICKEL UNDERPLATE.
 3. DATUMS & BASIC DIMENSIONS TO BE DETERMINED BY CUSTOMER
 4. RECOMMENDED BOARD THICKNESS IS 1.57 mm (.062)
 5. PACKING STANDARD GS-14-920 WILL BE APPLIED FOR LEAD FREE P/N'S
 6. FOR LEAD FREE P/N, THE PRODUCT MEET EUROPEAN UNION DIRECTIVES AND OTHER COUNTRY REGULATION AS DESCRIBED IN GS-22-008
 7. FOR LEAD FREE P/N'S, THE HOUSING WILL WITHSTAND EXPOSURE TO 260°C PEAK TEMPERATURE FOR 40 SECONDS IN A CONNECTION, INFRO-RED OR VAPOR PHASE REFLOW OVEN.

mat'l. code	tolerances unless otherwise specified	CUSTOMER COPY	title	code
lit	.0 ±0.20	projection	USB RECEPTACLE B TYPE	
P	.00 ±0.10	MM / INCH	product family USB	
	.000±0.05	5 : 1	size dwg no 61729	sheet 2 of 2
	± .2°			
	angles			
	dr	SHIRLEY HSU 03/03/97		
	engr	R Y LIU 03/03/97		
	chr	R Y LIU 03/03/97		
	dppd	JENN TSAO 03/03/97		
sheet	revision			
index	sheet			



All rights strictly reserved. Reproduction or lease to third parties in any form without written authority from the proprietor. Property © e BERG ELECTRONICS. Copyright BERG ELECTRONICS by

Tous droits strictement reserves. Reproduction ou communication a des tiers int sans aucune forme que ce soit sans autorisation écrite de propriétaire. Propriete © e BERG ELECTRONICS. Droits de reproduction BERG ELECTRONICS by