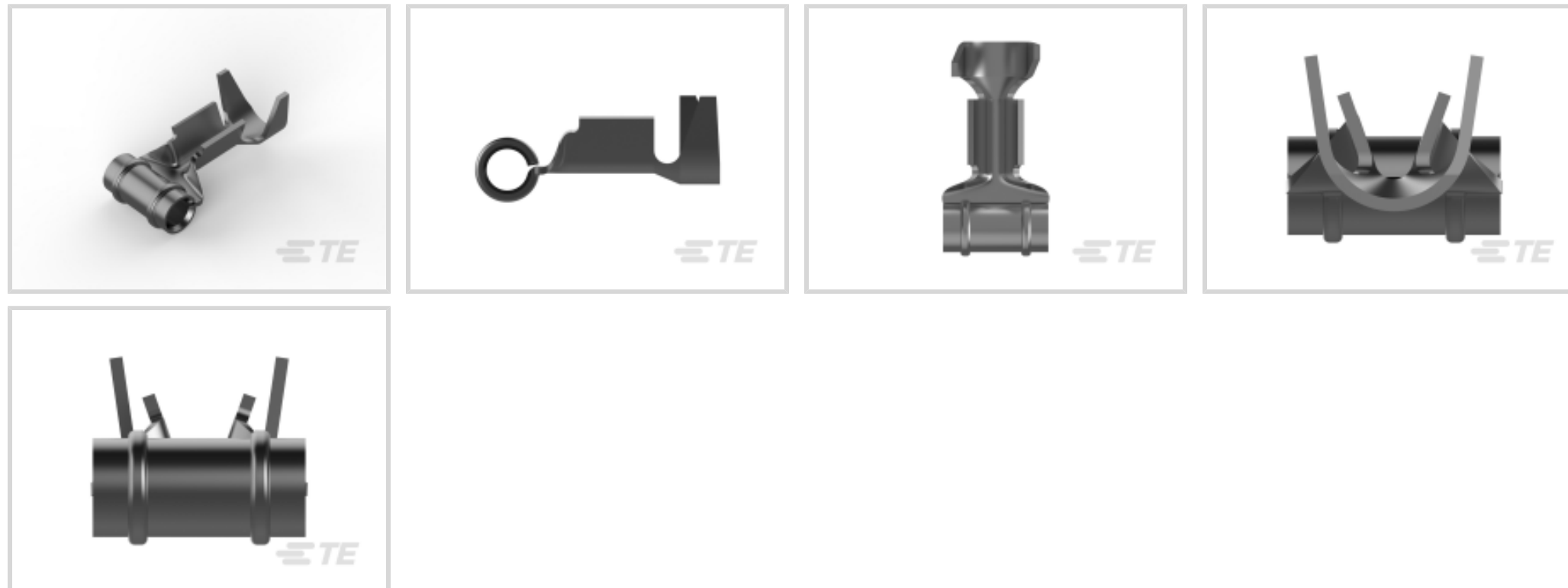




Terminals & Splices > PCB Terminals



PCB Terminal Type: **Receptacle**

PCB Hole Diameter: **1.57 mm [.083 in]**

Mating Pin Diameter: **1.47 mm [.058 in]**

Compatible Insulation Diameter (Max): **2.54 mm [.1 in]**

Compatible Insulation Diameter Range: **1.02 – 2.54 mm [.04 – .1 in]**

Features

Product Type Features

Terminal Features	Stud Hole
Wire Insulation Support Retention Type	Open Barrel

Contact Features

Contact Mating Area Plating Material Thickness	2.03 – 5.08 μm[80 – 200 μin]
PCB Terminal Type	Receptacle
Mating Pin Diameter	1.47 mm[.058 in]
Terminal Plating Material	Tin
Contact Underplating Material	Copper
Terminal Size	Miniature
Terminal Orientation	Flag

Termination Features

Termination Method to PCB	Through Hole - Solder
Product Terminates To	Wire & Cable

Mechanical Attachment

Wire Insulation Support	With
-------------------------	------

Dimensions

Terminal Material Thickness	.25 mm[.01 in]
PCB Hole Diameter	1.57 mm[.083 in]
Compatible Insulation Diameter (Max)	2.54 mm[.1 in]
Compatible Insulation Diameter Range	1.02 – 2.54 mm[.04 – .1 in]
Wire Size	.2 – .6 mm ²

Usage Conditions

Insulation Option	Uninsulated
Operating Temperature Range	-55 – 105 °C[-67 – 221 °F]

Packaging Features

Packaging Quantity	5000
Packaging Method	Reel

Product Compliance

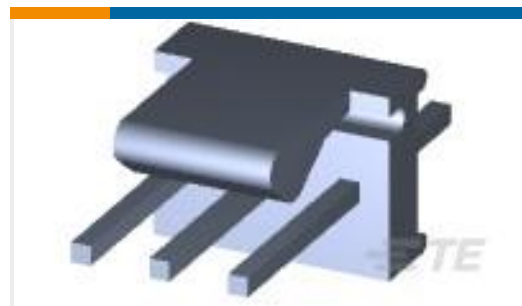
[For compliance documentation, visit the product page on TE.com>](#)

EU RoHS Directive 2011/65/EU	Compliant
EU ELV Directive 2000/53/EC	Compliant
China RoHS 2 Directive MIIT Order No 32, 2016	No Restricted Materials Above Threshold
EU REACH Regulation (EC) No. 1907/2006	Current ECHA Candidate List: JUNE 2024 (241) Candidate List Declared Against: JAN 2023 (233) Does not contain REACH SVHC
Halogen Content	Low Halogen - Br, Cl, F, I < 900 ppm per homogenous material. Also BFR/CFR/PVC Free
Solder Process Capability	Not applicable for solder process capability

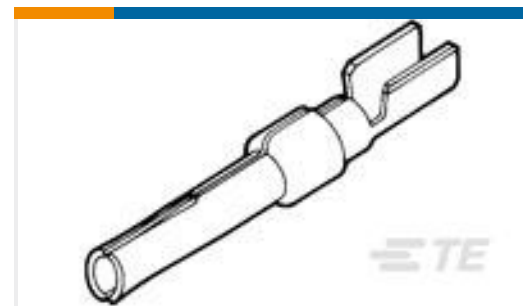
Product Compliance Disclaimer

This information is provided based on reasonable inquiry of our suppliers and represents our current actual knowledge based on the information they provided. This information is subject to change. The part numbers that TE has identified as EU RoHS compliant have a maximum concentration of 0.1% by weight in homogenous materials for lead, hexavalent chromium, mercury, PBB, PBDE, DBP, BBP, DEHP, DIBP, and 0.01% for cadmium, or qualify for an exemption to these limits as defined in the Annexes of Directive 2011/65/EU (RoHS2). Finished electrical and electronic equipment products will be CE marked as required by Directive 2011/65/EU. Components may not be CE marked. Additionally, the part numbers that TE has identified as EU ELV compliant have a maximum concentration of 0.1% by weight in homogenous materials for lead, hexavalent chromium, and mercury, and 0.01% for cadmium, or qualify for an exemption to these limits as defined in the Annexes of Directive 2000/53/EC (ELV). Regarding the REACH Regulation, the information TE provides on SVHC in articles for this part number is based on the latest European Chemicals Agency (ECHA) 'Guidance on requirements for substances in articles' posted at this URL: <https://echa.europa.eu/guidance-documents/guidance-on-reach>

Customers Also Bought



TE Part #640456-3
03P MTA100 HDR ASSY F/L SQ STR



TE Part #1658542-2
SOCKET CONT DUPL PLT STRIP HD-



TE Part #1658540-5
CONT,PIN,PLATED,20DF,LP,#24-28



TE Part #8-320560-1
TERMINAL,PIDG R 16-14 8



TE Part #53120-1
SOLIS SP SPD 22-16COM22-18MIL6



TE Part #227426-1
BNC BLKHD RECPT SEALED



TE Part #208475-1
RECEPT ASSY,SZ 28,CMC



TE Part #ABC26C-3455
PLUG ASSY



TE Part #1-1393788-1
V23079A1003B301

Documents

Product Drawings

058 R/A PIN REC 24-20 TPBECU

English

CAD Files

3D PDF

3D

Customer View Model

[ENG_CVM_CVM_61323-2_L_c-61323-2-l.2d_dxf.zip](#)

English

Customer View Model

[ENG_CVM_CVM_61323-2_L_c-61323-2-l.3d_igs.zip](#)

English

Customer View Model

[ENG_CVM_CVM_61323-2_L_c-61323-2-l.3d_stp.zip](#)

English



By downloading the CAD file I accept and agree to the [Terms and Conditions](#) of use.

Product Specifications

Application Specification

English

Instruction Sheets

Instruction Sheet (U.S.)

Japanese

Instruction Sheet (U.S.)

English

Insertion/Extraction Tool

English