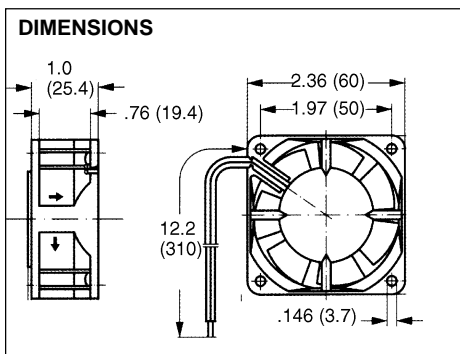
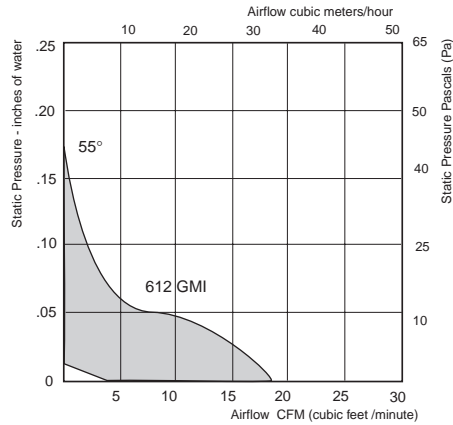
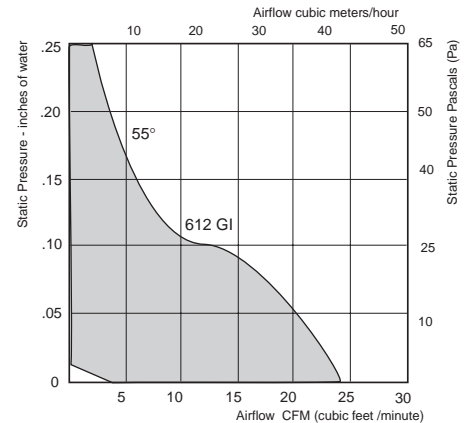


# 60 x 25mm (2.4" X 1.0") DC VARIOFAN

# 600V Series



HIGH PERFORMANCE  
**SINTEC**  
 SLEEVE BEARING SYSTEM



## 2.36" X 2.36" X 1.00" Brushless DC, Plastic, Air Exhaust – Over Struts

PART NUMBER	Type of Bearing	DC Volts	Voltage Range	Temp.		CFM		Temp. Max °C	Wgt. (oz)	Features	Approvals*		
				°C	Watts	@ 0"	dBa				UL	CSA	VDE
<b>612GMI</b>	Sleeve	12	8 - 14	5	0.7	3	10	65	3	22 AWG 12.2" Leads	✓	✓	✓
				55	1.5	18	33						
<b>612GI</b>	Sleeve	12	8 - 14	5	0.7	3	10	65	3	22 AWG 12.2" Leads	✓	✓	✓
				55	2.5	24	40						

\* UL yellow card E38324, CSA file 27697, VDE file 3041

Temperature Sensor integrated into the fan hub (directly in the air flow)

CONSTRUCTION MOUNTING & CONNECTION	<b>Mounting:</b>	From either face using four .146" (3.7mm) holes	<b>Connection:</b>	Two lead wires color coded, red (+), blue (-) / black (-)
	<b>Weight:</b>	3 ounces (85g)	<b>Options:</b>	Hall Effect monitor; Alarm
	<b>Housing:</b>	Plastic with plastic impeller		