

Switching element

61-8755.37



<https://eao.com/p/61-8755.37>

Your product:



61-8755.37 Switching element

ELECTRICAL CHARACTERISTICS

Contacts:

2 NC

Switching voltage and switching current:

Switch rating AC with gold contact
Service category AC-15
according to EN IEC 60947-5-1
Voltage 50 VAC
Current 0.5 A
Switch rating DC with gold contact
Service category DC-13
according to EN IEC 60947-5-1
Voltage 50 VDC
Current 0.1 A

Recommended minimum operational data:

Voltage 10 VAC/DC
Current 2 mA

Standards:

The switches comply with the "Standards for low-voltage switching devices" EN IEC 61058-1, EN IEC 60947-5-1

Thermal current I_{th}:

3 A

Rated impulse withstand voltage U_{imp}:

0,8 kV, according to EN / IEC 60947-5-1

Rated insulation voltage U_i:

320 VAC, according to EN / IEC 60947-5-1

Rated Operational Voltage U_e:

50 VAC / DC, according to EN / IEC 60947-5-1

MECHANICAL CHARACTERISTIC

Terminal:

Plug-in terminal, 2.8 x 0.5 mm

Weight:

0.008 kg

Contact material:

Gold

Switching positions:

2 positions

Switching system:

Slow-make switching element

Wire cross section:

1 wire flexible: 0.5 ... 0.75 mm²
1 wire super flexible: 0.5 mm²
1 wire rigid: 0.5 ... 1.5 mm²
2 wires flexible: 0.5 ... 0.75 mm²
2 wires super flexible: 0.5 mm²

2 wires rigid: 0.5 ... 1.5 mm²

AMBIENT CONDITION

Operating temperature: – 25 °C ... + 55 °C

Climate resistance: Damp heat, cyclic: 96 hours, + 25 °C/97 %, + 55 °C/93 % relative humidity, as per EN IEC 60068-2-30
Damp heat, steady: 56 days, + 40 °C/93 % relative humidity, according to EN IEC 60068-2-78
Rapid change of temperature: 100 cycles, – 40 °C ... + 80 °C, as per EN / IEC 60068-2-14

CERTIFICATE

Approbations: CB (IEC 60947-5-1), CB (IEC 61058-1), CENELEC CCA-NTR (EN 60947-5-1), CQC, CSA, DNV, EAC, ENEC (EN 61058-1), NFF, SEV (EN / IEC 60947-5-1), UL

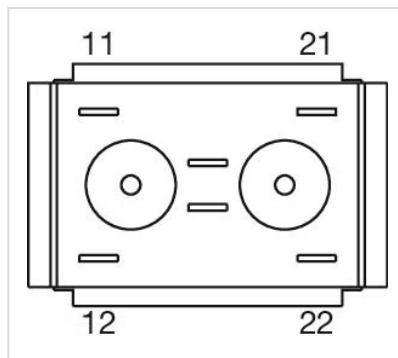
Conformities: CE, UKCA, 2011 / 65 / EC (RoHS), 2014 / 35 / EU (LVD)

OTHER

Material: Plastic, according to UL 94 V0

Short Description: Switching element, Slow-make switching element, 50 V AC/DC @ 0,3 A, Gold, 2 NC, Plug-in terminal, 2.8 x 0.5 mm

Component layouts:



Wiring diagrams:

