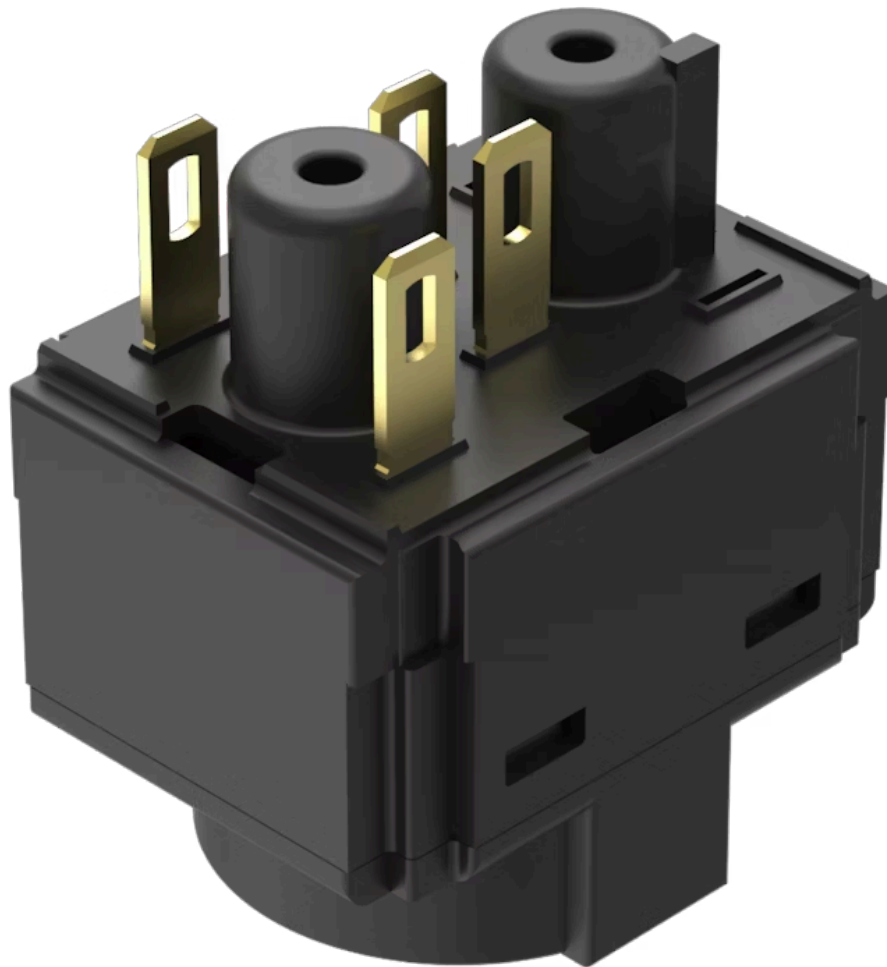


Switching element

61-8610.37



<https://eao.com/p/61-8610.37>

Your product:



61-8610.37 Switching element

ELECTRICAL CHARACTERISTICS

Contacts:	1 NO
Pollution degree:	3, according to EN IEC 60947-1
Switching voltage and switching current:	Switch rating AC with gold contact Service category AC-15 according to EN IEC 60947-5-1 Voltage 50 VAC Current 0.5 A Switch rating DC with gold contact Service category DC-13 according to EN IEC 60947-5-1 Voltage 50 VDC Current 0.1 A
Recommended minimum operational data:	Voltage 10 VAC/DC Current 2 mA
Standards:	The switches comply with the "Standards for low-voltage switching devices" EN IEC 61058-1, EN IEC 60947-5-1
Thermal current I_{th}:	3 A
Electric strength:	4000 VAC, 50 Hz, 1 minute, as per DIN / IEC 60512-2 between all terminals and earth
Overvoltage category:	III, according to EN / IEC 60947-5-1
Protection class:	II, according to EN / IEC 61058-1
Rated impulse withstand voltage U_{imp}:	0,8 kV, according to EN / IEC 60947-5-1
Rated insulation voltage U_i:	320 VAC, according to EN / IEC 60947-5-1
Rated Operational Voltage U_e:	50 VAC / DC, according to EN / IEC 60947-5-1

MECHANICAL CHARACTERISTIC

Terminal:	Plug-in terminal, 2.8 x 0.5 mm
Weight:	0.008 kg
Contact material:	Gold

Switching positions:	2 positions
Switching system:	Slow-make switching element
Switching system:	Double-break slow-make system, contact opening width 2 x 1.5 mm, with 2 x 2 contact points per switching element. NC-contact elements in the slow-make elements fulfill requirements of switches with forced opening as per EN / IEC 60947-5-12.17.
Wire cross section:	1 wire flexible: 0.5 ... 0.75 mm ² 1 wire super flexible: 0.5 mm ² 1 wire rigid: 0.5 ... 1.5 mm ² 2 wires flexible: 0.5 ... 0.75 mm ² 2 wires super flexible: 0.5 mm ² 2 wires rigid: 0.5 ... 1.5 mm ²

AMBIENT CONDITION

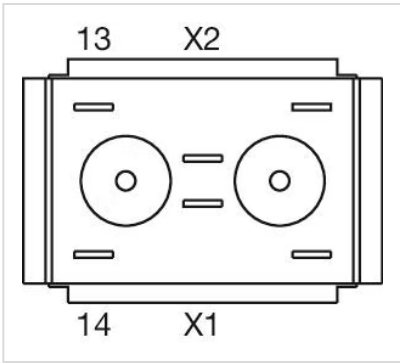
IP Protection:	IP40
Operating temperature:	- 25 °C ... + 55 °C
Storage temperature:	- 40 °C ... + 85 °C
Climate resistance:	Damp heat, cyclic: 96 hours, + 25 °C/97 %, + 55 °C/93 % relative humidity, as per EN IEC 60068-2-30 Damp heat, steady: 56 days, + 40 °C/93 % relative humidity, according to EN IEC 60068-2-78 Rapid change of temperature: 100 cycles, - 40 °C ... + 80 °C, as per EN / IEC 60068-2-14
Vibration resistance:	Max. 100 m / s ² from 10 Hz ... 500 Hz, (sinusoidal EN IEC 60068-2-6)
Shock resistance:	Max. 100 m / s ² , pulse width, 3-axis (sinusoidal EN IEC 60068-2-27)

CERTIFICATE

Approbations:	CB (IEC 60947-5-1), CB (IEC 61058-1), CENELEC CCA-NTR (EN 60947-5-1), CQC, CSA, DNV, EAC, ENEC (EN 61058-1), NFF, SEV (EN / IEC 60947-5-1), UL
Conformities:	CE, UKCA, 2011 / 65 / EC (RoHS), 2014 / 35 / EU (LVD)

OTHER

Material:	Plastic, according to UL 94 V0
Short Description:	Switching element, Slow-make switching element, 50 V AC/DC @ 0,3 A, Gold, 1 NO, Plug-in terminal, 2.8 x 0.5 mm
Hints:	With lamp terminal
Component layouts:	



Wiring diagrams:

