

Actuator

61-
7100.02



<https://eao.com/p/61-7100.02>

Your product:



61-7100.02 Actuator

FRONT

Front bezel material: Plastic

MOUNTING

Mounting cut-out: Ø 22.3 mm

ELECTRICAL CHARACTERISTICS

Operating voltage: 10 - 26 DC

Operation current: ≤20mA

MECHANICAL CHARACTERISTIC

Terminal: Plug-in terminal, 2.8 x 0.5 mm

Weight: 0.032 kg

Tightening torque: Max. 0.5 Nm

ACOUSTICAL CHARACTERISTICS

Tone frequency: ca. 2.0 kHz

AMBIENT CONDITION

IP front protection: IP65

Operating temperature: - 25 °C ... + 55 °C

Storage temperature: - 40 °C ... + 85 °C

CERTIFICATE

Conformities:

CE, UKCA, 2011 / 65 / EC (RoHS)

OTHER

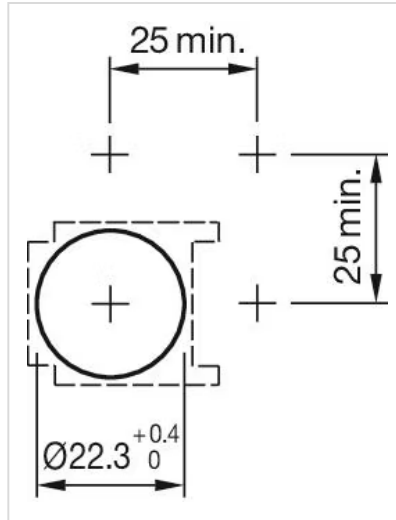
Short Description: Actuator, Ø 22.3 mm, Plastic, Plug-in terminal, 2.8 x 0.5 mm, IP65

Housing material: Plastic

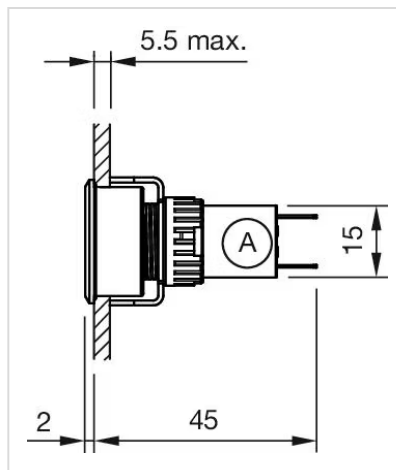
Buzzer system: Electronic non-contacting buzzer with IC oscillator

Hints: Change polarity for continuous or intermittent tone

Mounting cut-outs:



Dimension drawings:



Wiring diagrams:

