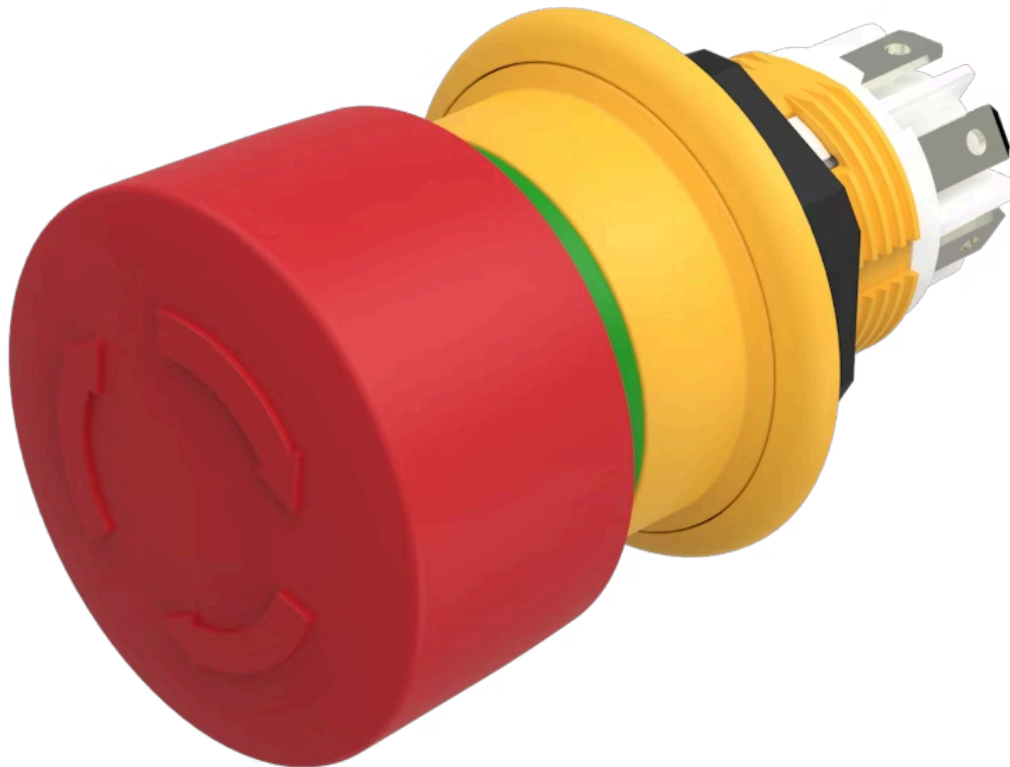


Actuator

61-
6441.4077



<https://eao.com/p/61-6441.4077>

Your product:



61-6441.4077 Actuator

FRONT

Front dimension: Ø 27 mm

OPERATING-/INDICATION PART

Lens illumination: non illuminative

Lens colour: Red

Lens shape: mushroom-head

Lens material: Plastic

ELECTRICAL CHARACTERISTICS

Recommended minimum operational data:

Voltage	1 VAC/DC
Current	1 mA

Standards: According to EN 60947-5-1, EN 60947-5-5, DIN EN ISO 13850, EN IEC 60204

Thermal current I_{th}: 0.5 A (EN IEC 60947-5-1 / max. current in continuous operation at max. + 55 degrees C)

Contact resistance: At 20 mV, 100 mA (IEC 60512-2-1) Insulation resistance
2 MΩ between the open contacts
7 MΩ towards the panel (DIN IEC 60512-3-1)

Electric strength: 500 VAC, 50 Hz, 1 minute according to DIN IEC 60512-2

Overvoltage category: II, according to EN / IEC 61058-1

Protection class: II, according to EN / IEC 60947-5

Rated impulse withstand voltage U_{imp}: 0.5 kV, according to EN / IEC 60947-1

Rated insulation voltage U_i: 250 VAC/DC according to EN IEC 60947-1

Rated Operational Voltage U_e: 50 VAC / DC, according to EN / IEC 60947-5-1

Rated short-circuit current caused: 1 000 A, type of short-circuit device 2 A gG (EN 60947-5-1)

Contacts:	1 NC / 1 NO												
Electrical lifetime:	≥20 000 cycles of operation												
Pollution degree:	3, according to EN IEC 60947-1												
Switching voltage and switching current:	<table> <tr> <td>Alternating current usage category AC-15 according to EN IEC 60947-5-1</td> <td></td> </tr> <tr> <td>Voltage</td> <td>50 VAC</td> </tr> <tr> <td>Current</td> <td>0,2 A</td> </tr> <tr> <td>DC usage category DC-13 according to EN IEC 60947-5-1</td> <td></td> </tr> <tr> <td>Voltage</td> <td>50 VDC</td> </tr> <tr> <td>Current</td> <td>0,2 A</td> </tr> </table>	Alternating current usage category AC-15 according to EN IEC 60947-5-1		Voltage	50 VAC	Current	0,2 A	DC usage category DC-13 according to EN IEC 60947-5-1		Voltage	50 VDC	Current	0,2 A
Alternating current usage category AC-15 according to EN IEC 60947-5-1													
Voltage	50 VAC												
Current	0,2 A												
DC usage category DC-13 according to EN IEC 60947-5-1													
Voltage	50 VDC												
Current	0,2 A												

MECHANICAL CHARACTERISTIC

Terminal:	Plug-in terminal, 2.8 x 0.5 mm
Operating Travel:	4.2 mm
Weight:	0.02 kg
Switching action:	Maintained
Release type:	Twist to unlock
Mechanical lifetime:	≥20 000 cycles of operation
Operating force:	30 N ±4 N
Tightening torque:	Max. 0.8 Nm

AMBIENT CONDITION

Shock resistance:	Max. 150 m / s ² , pulse width 11 ms, 3-axis, (semi-sinusoidal as per EN IEC 60068-2-27)
Vibration resistance:	Max. 100 m / s ² from 10 Hz ... 500 Hz, 20 cycles, 3-axis (sinusoidal EN IEC 60068-2-6)
Climate resistance:	<p>Damp heat, steady: 56 days, + 40 °C/93 % relative humidity, according to EN IEC 60068-2-78</p> <p>Dry heat: 96 hours, + 65 °C, as per EN IEC 60068-2-2</p> <p>Low temperature: 96 hours, - 25 °C (as per EN IEC 60068-2-1)) UV test, 56 days (EN 60068-2-5:1999)</p>
IK Protection:	IK06
IP Protection:	IP67 front side, according to EN IEC 60529/A1:2010-04, IP69K front side, according to EN IEC 60529/A1:2010-04, Panel surface roughness Ra1.6
Operating temperature:	- 25 °C ... + 55 °C
Storage temperature:	- 40 °C ... + 85 °C

CERTIFICATE

Approbations:

CB (EN 60947), UL NISD (cULus, UL EU) LISTED E-File-Nr.: E341760

Conformities:

CE, UKCA

OTHER

Short Description:

Actuator, Ø 27 mm, mushroom-head, non illuminative, Red, Plastic, 1 NC / 1 NO, Maintained, Plug-in terminal, 2.8 x 0.5 mm, Twist to unlock

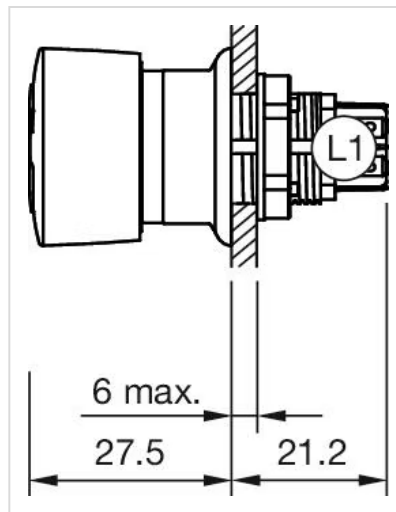
Hints:

Application as per DIN EN ISO 13850 and EN 60204-1, Seal Part No. 61-9900, Anti-twist ring No. 51-910, Fixing nut No. 51-991, Plug-in terminals 2.8 mm x 0.5 mm are solderable without UL certificate, Front plate thickness 1 ... 4 mm with an anti-rotation ring, Front plate thickness 1 ... 6 mm without an anti-rotation ring

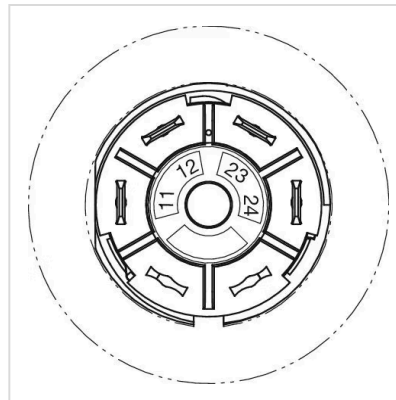
Dimension:

Ø 27 mm

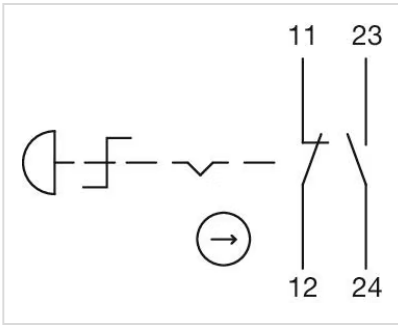
Dimension drawings:



Component layouts:



Wiring diagrams:



Mounting cut-outs:

