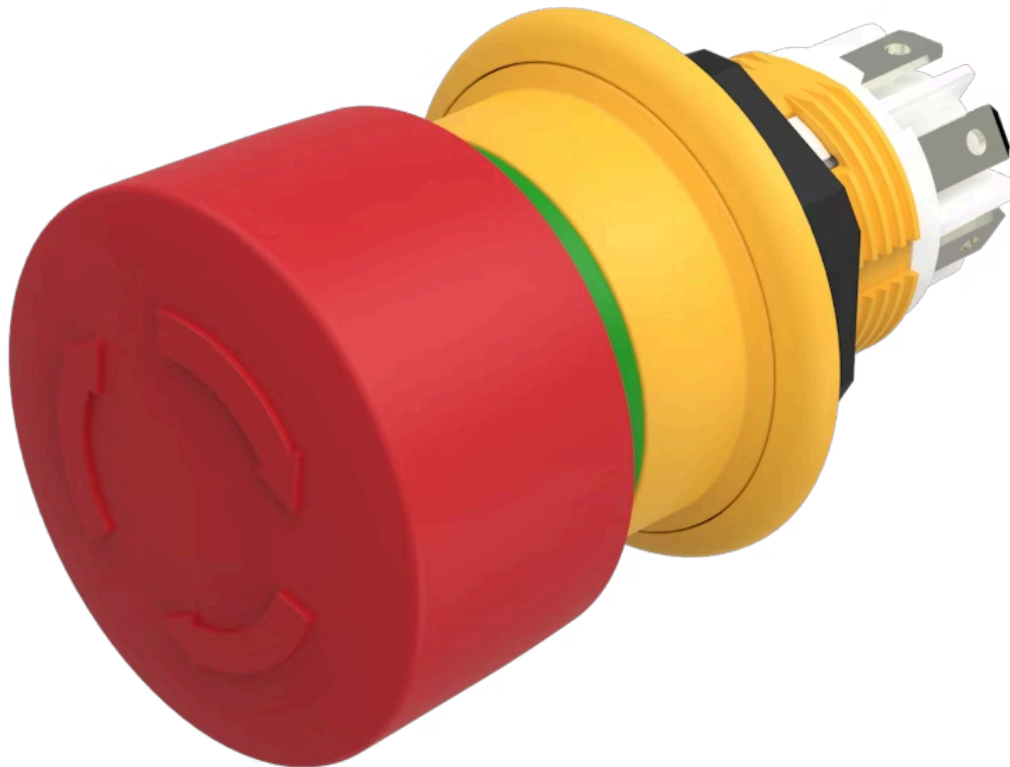


# Actuator

61-  
6441.4047



<https://eao.com/p/61-6441.4047>

Your product:

---



## 61-6441.4047 Actuator

### FRONT

**Front dimension:** Ø 27 mm

### OPERATING-/INDICATION PART

**Lens illumination:** non illuminative

**Lens colour:** Red

**Lens shape:** mushroom-head

**Lens material:** Plastic

### ELECTRICAL CHARACTERISTICS

**Recommended minimum operational data:**

Voltage	1 VAC/DC
Current	1 mA

**Standards:** According to EN 60947-5-1, EN 60947-5-5, DIN EN ISO 13850, EN IEC 60204

**Thermal current I<sub>th</sub>:** 0.5 A (EN IEC 60947-5-1 / max. current in continuous operation at max. + 55 degrees C)

**Contact resistance:** At 20 mV, 100 mA (IEC 60512-2-1) Insulation resistance  
2 MΩ between the open contacts  
7 MΩ towards the panel (DIN IEC 60512-3-1)

**Electric strength:** 500 VAC, 50 Hz, 1 minute according to DIN IEC 60512-2

**Overvoltage category:** II, according to EN / IEC 61058-1

**Protection class:** II, according to EN / IEC 60947-5

**Rated impulse withstand voltage U<sub>imp</sub>:** 0.5 kV, according to EN / IEC 60947-1

**Rated insulation voltage U<sub>i</sub>:** 250 VAC/DC according to EN IEC 60947-1

**Rated Operational Voltage U<sub>e</sub>:** 50 VAC / DC, according to EN / IEC 60947-5-1

**Rated short-circuit current caused:** 1 000 A, type of short-circuit device 2 A gG (EN 60947-5-1)

<b>Contacts:</b>	1 NC												
<b>Electrical lifetime:</b>	≥20 000 cycles of operation												
<b>Pollution degree:</b>	3, according to EN IEC 60947-1												
<b>Switching voltage and switching current:</b>	<table> <tr> <td>Alternating current usage category AC-15 according to EN IEC 60947-5-1</td> <td></td> </tr> <tr> <td>Voltage</td> <td>50 VAC</td> </tr> <tr> <td>Current</td> <td>0,2 A</td> </tr> <tr> <td>DC usage category DC-13 according to EN IEC 60947-5-1</td> <td></td> </tr> <tr> <td>Voltage</td> <td>50 VDC</td> </tr> <tr> <td>Current</td> <td>0,2 A</td> </tr> </table>	Alternating current usage category AC-15 according to EN IEC 60947-5-1		Voltage	50 VAC	Current	0,2 A	DC usage category DC-13 according to EN IEC 60947-5-1		Voltage	50 VDC	Current	0,2 A
Alternating current usage category AC-15 according to EN IEC 60947-5-1													
Voltage	50 VAC												
Current	0,2 A												
DC usage category DC-13 according to EN IEC 60947-5-1													
Voltage	50 VDC												
Current	0,2 A												

## MECHANICAL CHARACTERISTIC

<b>Terminal:</b>	Plug-in terminal, 2.8 x 0.5 mm
<b>Operating Travel:</b>	4.2 mm
<b>Weight:</b>	0.02 kg
<b>Switching action:</b>	Maintained
<b>Release type:</b>	Twist to unlock
<b>Mechanical lifetime:</b>	≥20 000 cycles of operation
<b>Operating force:</b>	30 N ±4 N
<b>Tightening torque:</b>	Max. 0.8 Nm

## AMBIENT CONDITION

<b>Vibration resistance:</b>	Max. 100 m / s <sup>2</sup> from 10 Hz ... 500 Hz, 20 cycles, 3-axis (sinusoidal EN IEC 60068-2-6)
<b>Shock resistance:</b>	Max. 150 m / s <sup>2</sup> , pulse width 11 ms, 3-axis, (semi-sinusoidal as per EN IEC 60068-2-27)
<b>Climate resistance:</b>	<p>Damp heat, steady: 56 days, + 40 °C/93 % relative humidity, according to EN IEC 60068-2-78</p> <p>Dry heat: 96 hours, + 65 °C, as per EN IEC 60068-2-2</p> <p>Low temperature: 96 hours, - 25 °C (as per EN IEC 60068-2-1) ) UV test, 56 days (EN 60068-2-5:1999)</p>
<b>IK Protection:</b>	IK06
<b>IP Protection:</b>	IP67 front side, according to EN IEC 60529/A1:2010-04, IP69K front side, according to EN IEC 60529/A1:2010-04, Panel surface roughness Ra1.6
<b>Operating temperature:</b>	- 25 °C ... + 55 °C
<b>Storage temperature:</b>	- 40 °C ... + 85 °C

## CERTIFICATE

**Approbations:**

CB (EN 60947), UL NISD (cULus, UL EU) LISTED E-File-Nr.: E341760

**Conformities:**

CE, UKCA

**OTHER**

**Short Description:**

Actuator, Ø 27 mm, mushroom-head, non illuminative, Red, Plastic, 1 NC, Maintained, Plug-in terminal, 2.8 x 0.5 mm, Twist to unlock

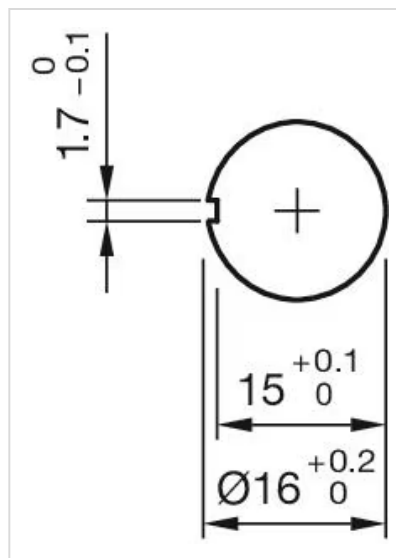
**Hints:**

Application as per DIN EN ISO 13850 and EN 60204-1, Seal Part No. 61-9900, Anti-twist ring No. 51-910, Fixing nut No. 51-991, Plug-in terminals 2.8 mm x 0.5 mm are solderable without UL certificate, Front plate thickness 1 ... 4 mm with an anti-rotation ring, Front plate thickness 1 ... 6 mm without an anti-rotation ring

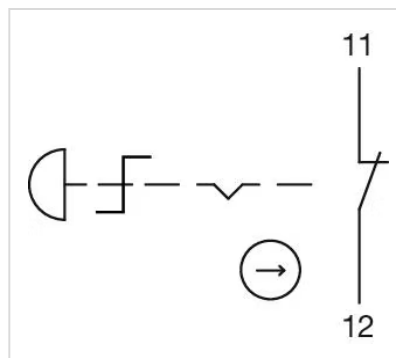
**Dimension:**

Ø 27 mm

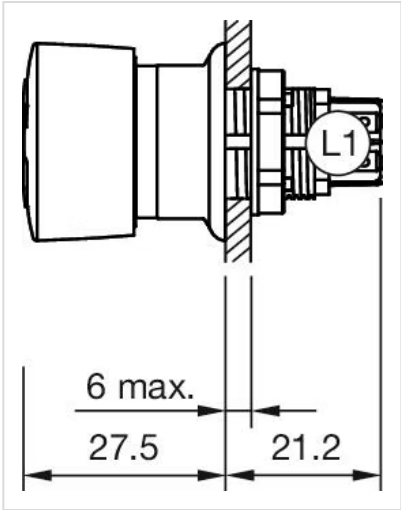
**Mounting cut-outs:**



**Wiring diagrams:**



**Dimension drawings:**



**Component layouts:**

