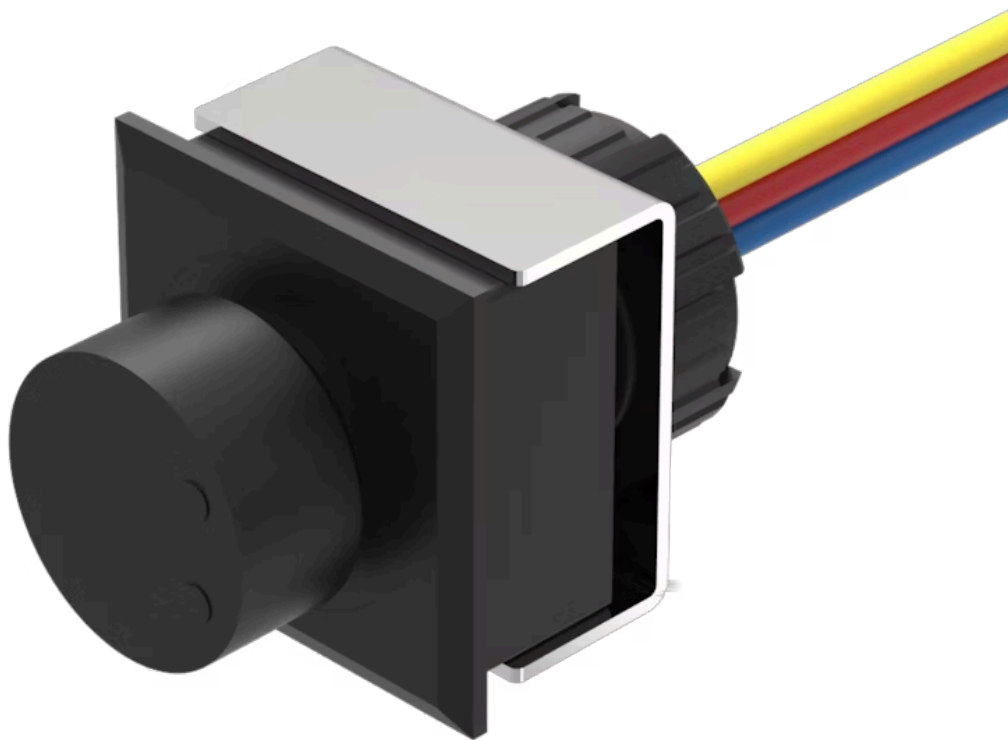


Actuator

61-
4970.13



<https://eao.com/p/61-4970.13>

Your product:



61-4970.13 Actuator

FRONT

Front dimension:	24 mm x 24 mm
Front bezel colour:	Black
Front bezel material:	Plastic

MOUNTING

Mounting cut-out:	21.2 mm x 21.2 mm
--------------------------	-------------------

ELECTRICAL CHARACTERISTICS

Resistance:	10 k Ω
--------------------	---------------

MECHANICAL CHARACTERISTIC

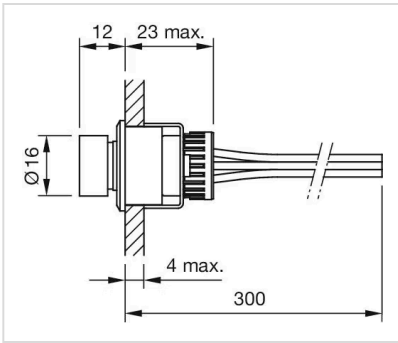
Terminal:	Flat ribbon cable
Weight:	0.023 kg
Tightening torque:	Max. 0.5 Nm

AMBIENT CONDITION

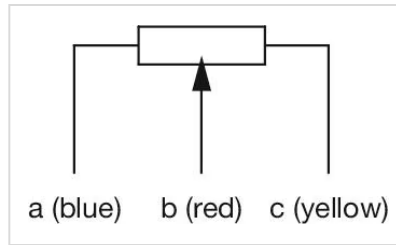
IP front protection:	IP65
-----------------------------	------

OTHER

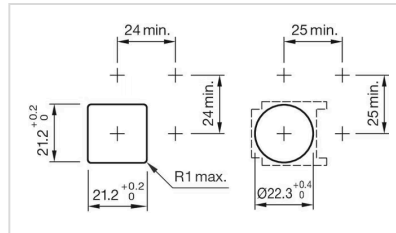
Short Description:	Actuator, 21.2 mm x 21.2 mm, 24 mm x 24 mm, Black, Plastic, Flat ribbon cable, IP65
Housing material:	Plastic
Dimension drawings:	



Wiring diagrams:



Mounting cut-outs:



Component layouts:

