

Actuator

61-4610.0



<https://eao.com/p/61-4610.0>

Your product:



61-4610.0 Actuator

OPERATING-/INDICATION PART

Lever shape:	short
Lever material:	plastic

MECHANICAL CHARACTERISTIC

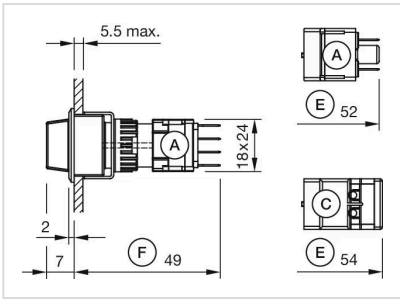
Operating Travel:	ca. 2 x 90°
Weight:	0.006 kg
Switching action:	Maintained - Rest - Maintained
Switching positions:	3 positions
Switching angle:	90° left / 90° right
Mechanical lifetime:	According to DIN/IEC 60512-5-6 and EN/IEC 60947-5-1, 100 000 cycles of operation
Operating force:	0.025...0.1 Nm snap-action switching element, 0.4 ... 0.16 Nm slow-make switching element
Tightening torque:	Max. 0.5 Nm

AMBIENT CONDITION

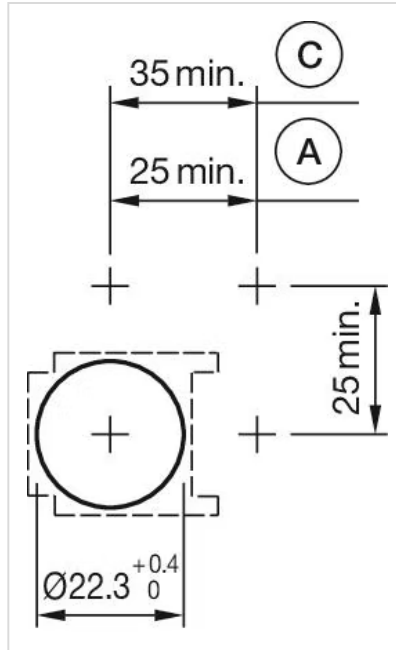
IP Protection:	IP40 rear side, according to EN IEC 60529, IP67 front side, according to EN IEC 60529
Storage temperature:	- 40 °C ... + 85 °C

OTHER

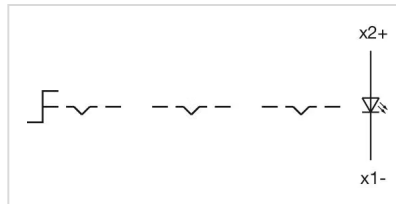
Housing material:	Plastic, according to UL 94 V0, self-extinguishing
Short Description:	Actuator, optional illuminative, short, Maintained - Rest - Maintained
Dimension drawings:	



Mounting cut-outs:



Wiring diagrams:



Switching positions:

